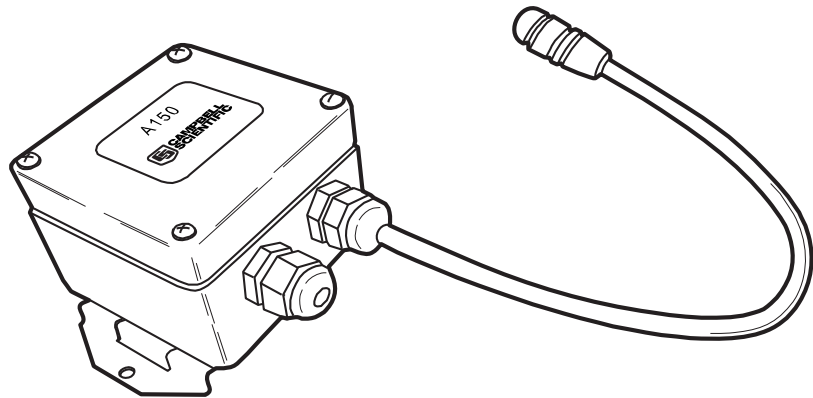


INSTRUCTION MANUAL



A150 Desiccated Case

Revision: 1/15



Copyright © 2011-2015
Campbell Scientific, Inc.

Limited Warranty

“Products manufactured by CSI are warranted by CSI to be free from defects in materials and workmanship under normal use and service for twelve months from the date of shipment unless otherwise specified in the corresponding product manual. (Product manuals are available for review online at www.campbellsci.com.) Products not manufactured by CSI, but that are resold by CSI, are warranted only to the limits extended by the original manufacturer. Batteries, fine-wire thermocouples, desiccant, and other consumables have no warranty. CSI’s obligation under this warranty is limited to repairing or replacing (at CSI’s option) defective Products, which shall be the sole and exclusive remedy under this warranty. The Customer assumes all costs of removing, reinstalling, and shipping defective Products to CSI. CSI will return such Products by surface carrier prepaid within the continental United States of America. To all other locations, CSI will return such Products best way CIP (port of entry) per Incoterms ® 2010. This warranty shall not apply to any Products which have been subjected to modification, misuse, neglect, improper service, accidents of nature, or shipping damage. This warranty is in lieu of all other warranties, expressed or implied. The warranty for installation services performed by CSI such as programming to customer specifications, electrical connections to Products manufactured by CSI, and Product specific training, is part of CSI’s product warranty. **CSI EXPRESSLY DISCLAIMS AND EXCLUDES ANY IMPLIED WARRANTIES OF MERCHANTABILITY OR FITNESS FOR A PARTICULAR PURPOSE. CSI hereby disclaims, to the fullest extent allowed by applicable law, any and all warranties and conditions with respect to the Products, whether express, implied or statutory, other than those expressly provided herein.”**

Assistance

Products may not be returned without prior authorization. The following contact information is for US and international customers residing in countries served by Campbell Scientific, Inc. directly. Affiliate companies handle repairs for customers within their territories. Please visit www.campbellsci.com to determine which Campbell Scientific company serves your country.

To obtain a Returned Materials Authorization (RMA), contact CAMPBELL SCIENTIFIC, INC., phone (435) 227-9000. After an application engineer determines the nature of the problem, an RMA number will be issued. Please write this number clearly on the outside of the shipping container. Campbell Scientific's shipping address is:

CAMPBELL SCIENTIFIC, INC.

RMA# _____
815 West 1800 North
Logan, Utah 84321-1784

For all returns, the customer must fill out a "Statement of Product Cleanliness and Decontamination" form and comply with the requirements specified in it. The form is available from our web site at www.campbellsci.com/repair. A completed form must be either emailed to repair@campbellsci.com or faxed to (435) 227-9106. Campbell Scientific is unable to process any returns until we receive this form. If the form is not received within three days of product receipt or is incomplete, the product will be returned to the customer at the customer's expense. Campbell Scientific reserves the right to refuse service on products that were exposed to contaminants that may cause health or safety concerns for our employees.

Precautions

DANGER — MANY HAZARDS ARE ASSOCIATED WITH INSTALLING, USING, MAINTAINING, AND WORKING ON OR AROUND TRIPODS, TOWERS, AND ANY ATTACHMENTS TO TRIPODS AND TOWERS SUCH AS SENSORS, CROSSARMS, ENCLOSURES, ANTENNAS, ETC. FAILURE TO PROPERLY AND COMPLETELY ASSEMBLE, INSTALL, OPERATE, USE, AND MAINTAIN TRIPODS, TOWERS, AND ATTACHMENTS, AND FAILURE TO HEED WARNINGS, INCREASES THE RISK OF DEATH, ACCIDENT, SERIOUS INJURY, PROPERTY DAMAGE, AND PRODUCT FAILURE. TAKE ALL REASONABLE PRECAUTIONS TO AVOID THESE HAZARDS. CHECK WITH YOUR ORGANIZATION'S SAFETY COORDINATOR (OR POLICY) FOR PROCEDURES AND REQUIRED PROTECTIVE EQUIPMENT PRIOR TO PERFORMING ANY WORK.

Use tripods, towers, and attachments to tripods and towers only for purposes for which they are designed. Do not exceed design limits. Be familiar and comply with all instructions provided in product manuals. Manuals are available at www.campbellsci.com or by telephoning (435) 227-9000 (USA). You are responsible for conformance with governing codes and regulations, including safety regulations, and the integrity and location of structures or land to which towers, tripods, and any attachments are attached. Installation sites should be evaluated and approved by a qualified engineer. If questions or concerns arise regarding installation, use, or maintenance of tripods, towers, attachments, or electrical connections, consult with a licensed and qualified engineer or electrician.

General

- Prior to performing site or installation work, obtain required approvals and permits. Comply with all governing structure-height regulations, such as those of the FAA in the USA.
- Use only qualified personnel for installation, use, and maintenance of tripods and towers, and any attachments to tripods and towers. The use of licensed and qualified contractors is highly recommended.
- Read all applicable instructions carefully and understand procedures thoroughly before beginning work.
- Wear a **hardhat** and **eye protection**, and take **other appropriate safety precautions** while working on or around tripods and towers.
- **Do not climb** tripods or towers at any time, and prohibit climbing by other persons. Take reasonable precautions to secure tripod and tower sites from trespassers.
- Use only manufacturer recommended parts, materials, and tools.

Utility and Electrical

- **You can be killed** or sustain serious bodily injury if the tripod, tower, or attachments you are installing, constructing, using, or maintaining, or a tool, stake, or anchor, come in **contact with overhead or underground utility lines**.
- Maintain a distance of at least one-and-one-half times structure height, 20 feet, or the distance required by applicable law, **whichever is greater**, between overhead utility lines and the structure (tripod, tower, attachments, or tools).
- Prior to performing site or installation work, inform all utility companies and have all underground utilities marked.
- Comply with all electrical codes. Electrical equipment and related grounding devices should be installed by a licensed and qualified electrician.

Elevated Work and Weather

- Exercise extreme caution when performing elevated work.
- Use appropriate equipment and safety practices.
- During installation and maintenance, keep tower and tripod sites clear of un-trained or non-essential personnel. Take precautions to prevent elevated tools and objects from dropping.
- Do not perform any work in inclement weather, including wind, rain, snow, lightning, etc.

Maintenance

- Periodically (at least yearly) check for wear and damage, including corrosion, stress cracks, frayed cables, loose cable clamps, cable tightness, etc. and take necessary corrective actions.
- Periodically (at least yearly) check electrical ground connections.

WHILE EVERY ATTEMPT IS MADE TO EMBODY THE HIGHEST DEGREE OF SAFETY IN ALL CAMPBELL SCIENTIFIC PRODUCTS, THE CUSTOMER ASSUMES ALL RISK FROM ANY INJURY RESULTING FROM IMPROPER INSTALLATION, USE, OR MAINTENANCE OF TRIPODS, TOWERS, OR ATTACHMENTS TO TRIPODS AND TOWERS SUCH AS SENSORS, CROSSARMS, ENCLOSURES, ANTENNAS, ETC.

Table of Contents

PDF viewers: These page numbers refer to the printed version of this document. Use the PDF reader bookmarks tab for links to specific sections.

1. Function.....	1
1.1 Typical Applications	1
1.2 Compatibility	1
2. Physical Description.....	2
3. Specifications	2
4. Sensor Hook-up and Example Diagrams.....	3
4.1 #26972 with Stripped and Tinned Continuation Cable	4
4.2 #22018 PWENC Connector	4
4.3 #19520 CWS900 Connector	5
5. Installation.....	6
5.1 Mounting.....	6
5.2 Wiring	6

Figures

1-1. A150 desiccated case	1
1-2. A150 interior	2
4-1. CWS900 connector pin-out.....	3
4-2. A150 with continuation cable	4
4-3. A150 with PWENC connector	4
4-4. Anemometer wired to an A150.....	5
4-5. A150 with CWS900 connector	5
4-6. A150 wired for CS450 pressure sensor and CWS900 connector.....	5
5-1. Attaching a wire to the A150	6

A150 Desiccated Case

1. Function

1.1 Typical Applications

The A150 desiccated case is a small, self-contained junction box that allows a sensor to be connected to a continuation cable, a PWENC connector, or a CWS900 wireless sensor connector. Utilizing the A150, a sensor may be incorporated into a wireless sensor network or may be attached to a prewired enclosure.

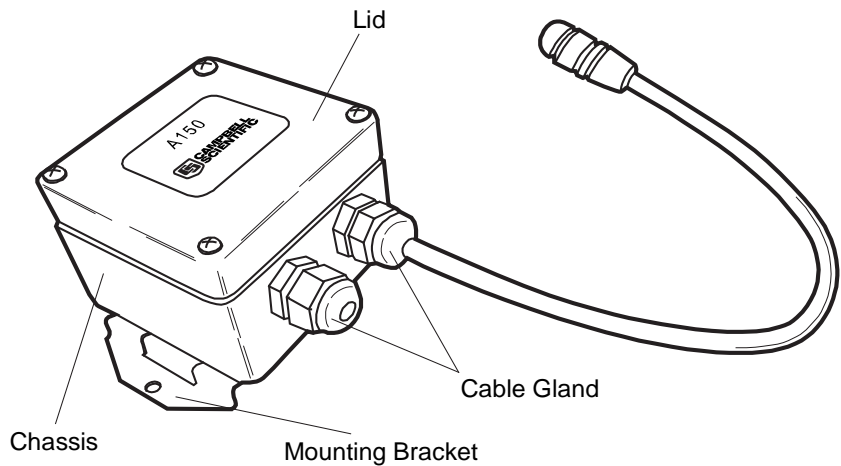


FIGURE 1-1. A150 desiccated case

The A150 allows the CS450 and CS455 pressure transducers to be used without the need to run a ventilation tube all the way to a datalogger enclosure. The sensor cable with a ventilation tube terminates at the A150, which contains a small vent and desiccant, while a second cable without a ventilation tube completes the connection to the datalogger.

The A150 provides a way for a sensor to be included in a wireless sensor network. The sensor is attached to the A150 junction box, and a second cable attaches the A150 to a CWS900 wireless sensor interface. This allows the sensor more flexibility and range than it would have if it were wired directly to a datalogger.

1.2 Compatibility

As a junction box, the A150 is compatible with most sensors using six wires or less. Sensors with multiple ground wires can use the included 5-position lever nut to combine the grounds into a single wire connection.

NOTE

It is not recommended to insert more than one wire into each connection on the terminal block. If it is necessary to combine wires, use the 5-position lever nut to combine the wires, and then insert the lead wire from the lever nut into the terminal block.

When used with a CWS900, the sensor can be used with sensors measuring analog voltages, frequency, and pulse. The CWS900 can also provide excitation voltage to a sensor through the A150.

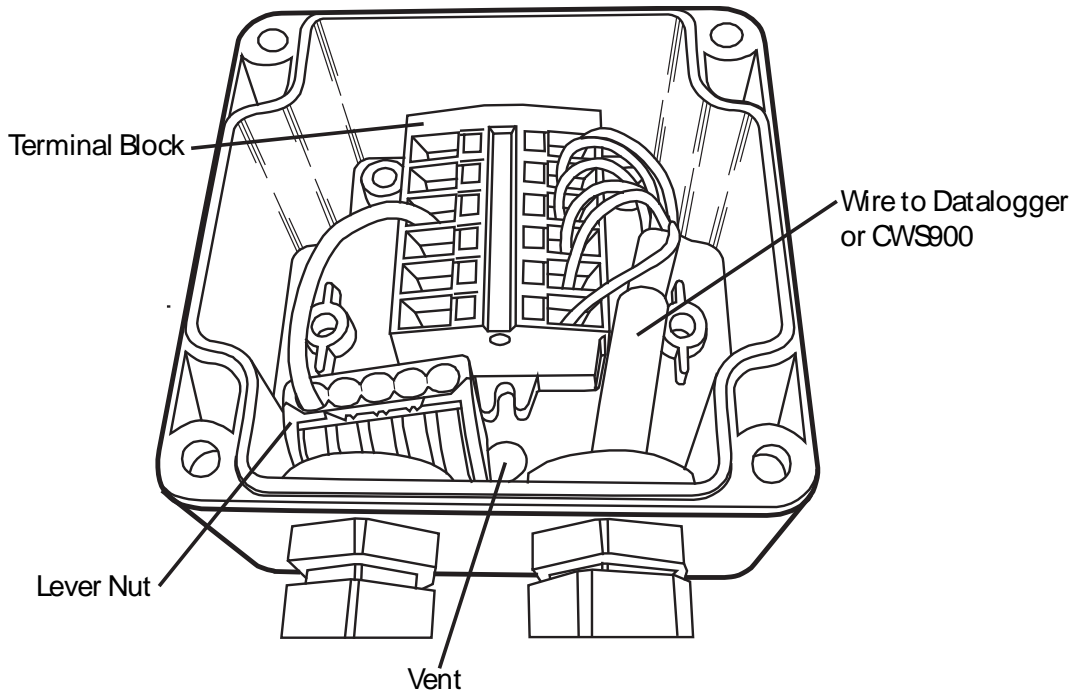


FIGURE 1-2. A150 interior

2. Physical Description

The A150 has an 80 mm x 82 mm x 55 mm chassis. Four screws secure the lid to the rest of the unit. A terminal block is mounted inside the chassis. A small vent is located on the bottom of the chassis. The vent is protected by a GORE® filter, which prevents moisture and contaminants from entering the unit while equalizing the interior air pressure to the current atmospheric pressure.

A mounting bracket is attached to the bottom of the chassis. The bracket is used to fasten the A150 inside an enclosure or, with the included Velcro® strap, to another location of the user's choosing.

3. Specifications

Dimensions:	80 mm x 82 mm x 55 mm (3.15 in x 3.228 in x 2.171 in)
Temperature Range:	-30 to 65 °C
Internal Protection Rating:	IP 66 (International Standard IEC 60529)
Terminal Block Wire Gauges:	28-12
5-wire Lever Nut Wire Gauges:	28-12 (replacement part number 27373)

Cable Gland	
Min/Max Cable Diameter:	4.6 mm/7.9 mm (0.181 in/0.312 in)
Desiccant Bag (1/2 Unit)	
Replacement Part Number:	905
Velcro® Strap	
Replacement Part Number:	5487
Humidity Indicator Card	
Replacement Part Number:	28878

4. Sensor Hook-up and Example Diagrams

There are three options available when ordering the A150. The first option includes a stripped and tinned continuation cable. The length of this cable is specified when ordering the A150.

The second option includes a PWENC connector, allowing the A150 to be attached to prewired enclosures.

The third option includes a connector to attach the A150 to the CWS900 wireless sensor interface. The CWS900 completes the connection to the datalogger through a wireless sensor network.

FIGURE 4-1 shows the pin-out of the CWS900 connector. Take care that the sensor wires attached to the A150 correspond to the correct pins as shown in the diagram.

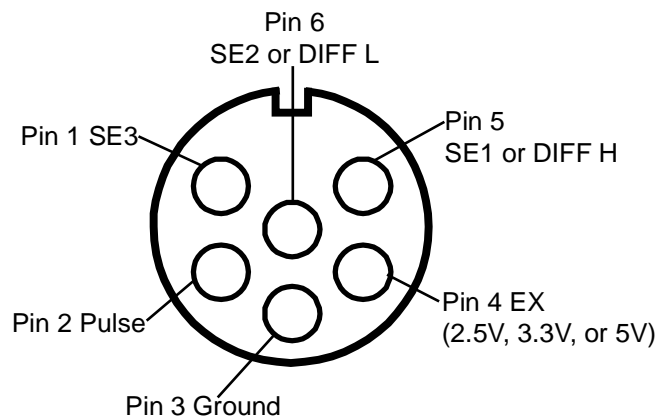


FIGURE 4-1. CWS900 connector pin-out

4.1 #26972 with Stripped and Tinned Continuation Cable

FIGURE 4-2 shows the A150 terminal block with a 26972 continuation wire attached. This configuration allows a CS450 or other sensor to be attached to the A150 while the pigtail wire completes the connection to the datalogger.

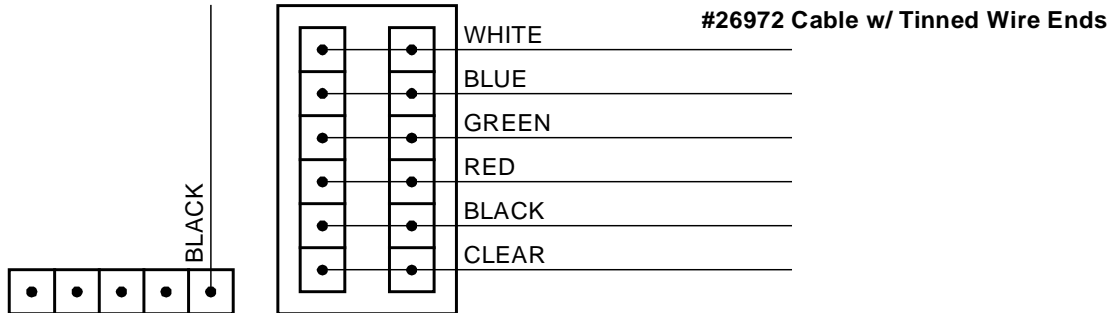


FIGURE 4-2. A150 with continuation cable

NOTE Wire colors may vary between different sensors. It is up to the installer to take into account any mismatched wire colors between the sensor and pigtail wire when connecting wires to the A150.

4.2 #22018 PWENC Connector

FIGURE 4-3 shows the A150 terminal block with a PWENC connector attached. This configuration allows a CS450 or other sensor to be attached to the A150 while the PWENC connector completes the connection to a pre-wired enclosure.

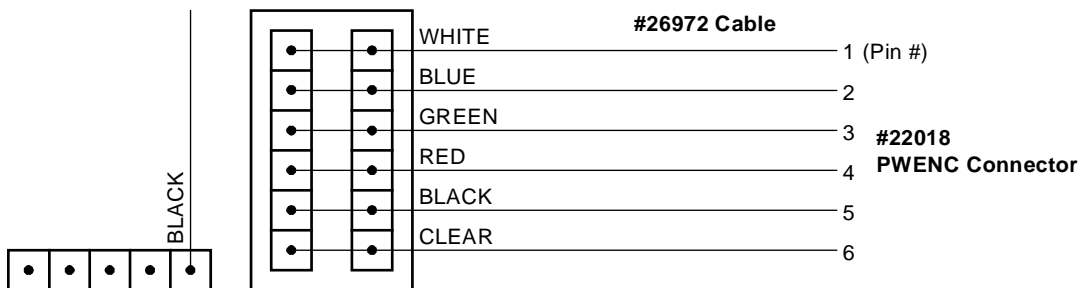


FIGURE 4-3. A150 with PWENC connector

NOTE When using the A150 to wire a sensor to a PWENC connector, ensure the wiring inside the pre-wired enclosure corresponds with the wiring from the sensor.

FIGURE 4-4 gives an example of an anemometer wired to an A150. Note that the green wire in the PWENC connector must be connected to a datalogger's pulse input inside the enclosure for the signal to be measured.

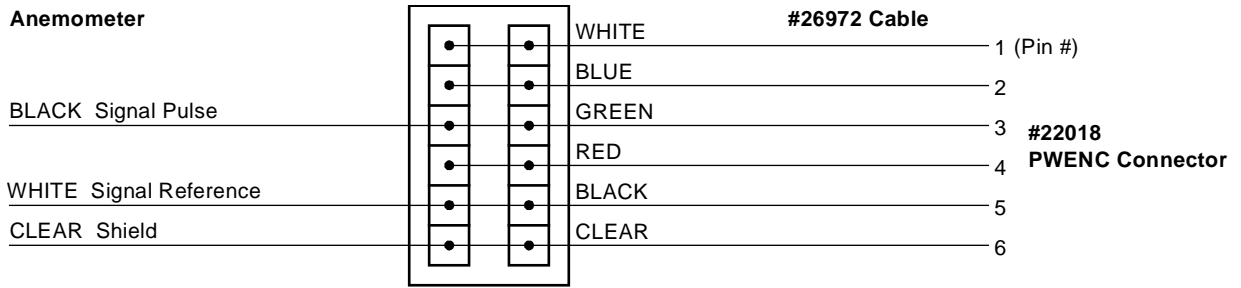


FIGURE 4-4. Anemometer wired to an A150

4.3 #19520 CWS900 Connector

FIGURE 4-5 shows the A150 terminal block with a CWS900 attached. This configuration allows a CS450 or other sensor to be attached to the A150 while the CWS900 wireless sensor interface completes the connection to the wireless sensor network.

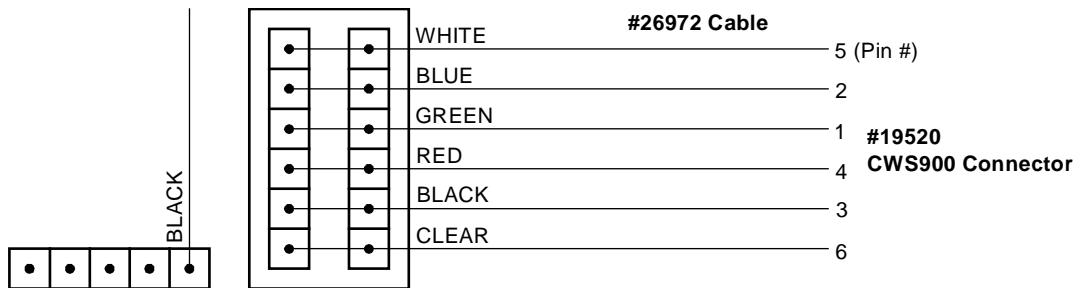


FIGURE 4-5. A150 with CWS900 connector

FIGURE 4-6 shows a CS450 connected to an A150. Note how multiple grounds are combined into a single lead wire using the lever nut.

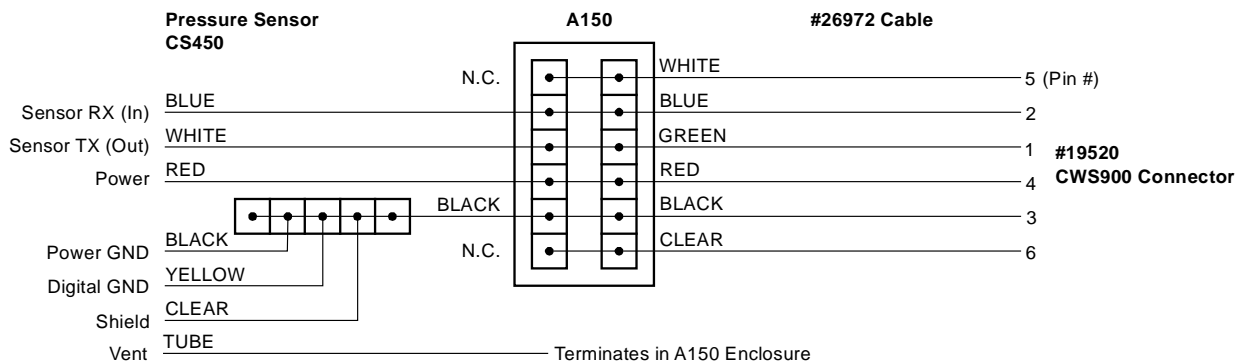


FIGURE 4-6. A150 wired for CS450 pressure sensor and CWS900 connector

5. Installation

5.1 Mounting

The A150 provides two options for mounting. The first is to use the Velcro® strap included with the A150. This allows the A150 to be secured to a small mast, fencepost, or other location where it is not possible to use mounting screws.

The second option is to use the mounting bracket on the back of the A150. This bracket allows the A150 to be mounted inside an enclosure or to another flat surface, using two screws through the bracket to secure the A150.

5.2 Wiring

To wire a sensor to the A150, route the sensor cable through the cable gland and attach each wire to the terminal block adjacent to the corresponding wire to the datalogger or CWS900. Use a small, flat-head screwdriver to open the wire terminal as shown in FIGURE 5-1. Use the lever nut to combine multiple ground wires into a single wire connection. Consult the documentation included with the sensor, or contact a Campbell Scientific application engineer, for the correct placement of each wire.

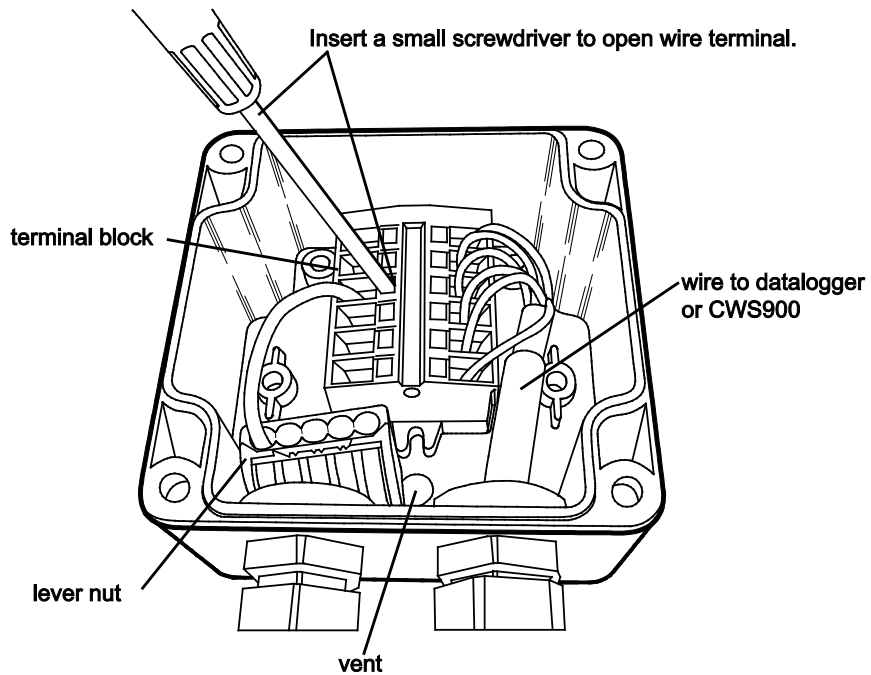


FIGURE 5-1. Attaching a wire to the A150

Once all wires are attached, tighten the wire gland to prevent water or contaminants from entering the A150. Place a desiccant pack, included with the A150, inside the chassis. Also place the humidity indicator card inside the A150, and then secure the lid in place with the four captured screws.

Campbell Scientific Companies

Campbell Scientific, Inc. (CSI)

815 West 1800 North
Logan, Utah 84321
UNITED STATES

www.campbellsci.com • info@campbellsci.com

Campbell Scientific Africa Pty. Ltd. (CSAf)

PO Box 2450
Somerset West 7129
SOUTH AFRICA

www.csafrica.co.za • cleroux@csafrica.co.za

Campbell Scientific Australia Pty. Ltd. (CSA)

PO Box 8108
Garbutt Post Shop QLD 4814
AUSTRALIA

www.campbellsci.com.au • info@campbellsci.com.au

Campbell Scientific (Beijing) Co., Ltd.

8B16, Floor 8 Tower B, Hanwei Plaza
7 Guanghua Road
Chaoyang, Beijing 100004
P.R. CHINA

www.campbellsci.com • info@campbellsci.com.cn

Campbell Scientific do Brasil Ltda. (CSB)

Rua Apinagés, nbr. 2018 — Perdizes
CEP: 01258-00 — São Paulo — SP
BRASIL

www.campbellsci.com.br • vendas@campbellsci.com.br

Campbell Scientific Canada Corp. (CSC)

14532 – 131 Avenue NW
Edmonton AB T5L 4X4
CANADA

www.campbellsci.ca • dataloggers@campbellsci.ca

Campbell Scientific Centro Caribe S.A. (CSCC)

300 N Cementerio, Edificio Breller
Santo Domingo, Heredia 40305
COSTA RICA

www.campbellsci.cc • info@campbellsci.cc

Campbell Scientific Ltd. (CSL)

Campbell Park
80 Hathern Road
Shepshed, Loughborough LE12 9GX
UNITED KINGDOM

www.campbellsci.co.uk • sales@campbellsci.co.uk

Campbell Scientific Ltd. (CSL France)

3 Avenue de la Division Leclerc
92160 ANTONY
FRANCE

www.campbellsci.fr • info@campbellsci.fr

Campbell Scientific Ltd. (CSL Germany)

Fahrenheitstraße 13
28359 Bremen
GERMANY

www.campbellsci.de • info@campbellsci.de

Campbell Scientific Spain, S. L. (CSL Spain)

Avda. Pompeu Fabra 7-9, local 1
08024 Barcelona
SPAIN

www.campbellsci.es • info@campbellsci.es

Please visit www.campbellsci.com to obtain contact information for your local US or international representative.