

# INSTRUCTION MANUAL



## 4WFB120, 4WFB350, 4WFB1K 4 Wire Full Bridge Terminal Input Modules

Revision: 5/07



Copyright © 1996-2007  
Campbell Scientific, Inc.

# **Warranty and Assistance**

---

The **4WFB120, 4WFB350, 4WFB1K 4 WIRE FULL BRIDGE TERMINAL INPUT MODULES** are warranted by CAMPBELL SCIENTIFIC, INC. to be free from defects in materials and workmanship under normal use and service for twelve (12) months from date of shipment unless specified otherwise. Batteries have no warranty. CAMPBELL SCIENTIFIC, INC.'s obligation under this warranty is limited to repairing or replacing (at CAMPBELL SCIENTIFIC, INC.'s option) defective products. The customer shall assume all costs of removing, reinstalling, and shipping defective products to CAMPBELL SCIENTIFIC, INC. CAMPBELL SCIENTIFIC, INC. will return such products by surface carrier prepaid. This warranty shall not apply to any CAMPBELL SCIENTIFIC, INC. products which have been subjected to modification, misuse, neglect, accidents of nature, or shipping damage. This warranty is in lieu of all other warranties, expressed or implied, including warranties of merchantability or fitness for a particular purpose. CAMPBELL SCIENTIFIC, INC. is not liable for special, indirect, incidental, or consequential damages.

Products may not be returned without prior authorization. The following contact information is for US and International customers residing in countries served by Campbell Scientific, Inc. directly. Affiliate companies handle repairs for customers within their territories. Please visit [www.campbellsci.com](http://www.campbellsci.com) to determine which Campbell Scientific company serves your country. To obtain a Returned Materials Authorization (RMA), contact CAMPBELL SCIENTIFIC, INC., phone (435) 753-2342. After an applications engineer determines the nature of the problem, an RMA number will be issued. Please write this number clearly on the outside of the shipping container. CAMPBELL SCIENTIFIC's shipping address is:

**CAMPBELL SCIENTIFIC, INC.**

RMA#\_\_\_\_\_

815 West 1800 North

Logan, Utah 84321-1784

CAMPBELL SCIENTIFIC, INC. does not accept collect calls.

# 4WFB120, 4WFB350, 4WFB1K

## Table of Contents

---

*PDF viewers note: These page numbers refer to the printed version of this document. Use the Adobe Acrobat® bookmarks tab for links to specific sections.*

<b>1. Function</b> .....	1
<b>2. Specifications</b> .....	1
<b>3. Measurement Concepts</b> .....	2
<b>4. Wiring</b> .....	3
<b>5. Program Examples</b> .....	3
5.1 Edlog.....	4
5.1.1 CR10(X).....	4
5.1.2 21X .....	7
5.1.3 CR7 .....	10
5.2 CRBasic .....	13
5.2.1 CR9000(X).....	14
<b>6. Calculation of Strain</b> .....	15

### **Figures**

1-1 Terminal Input Module .....	1
2-1 Schematic .....	2
4-1 Wiring for Example Programs .....	3
6-1 Strain Gage in Full Bridge.....	15

### **Table**

5-1 Input Locations Used in CR10(X), 21X, and CR7 Examples .....	4
--	---



# ***4WFB120, 4WFB350, 4WFB1K 4 Wire Full Bridge Terminal Input Modules***

---

## **1. Function**

Terminal input modules connect directly to the datalogger's input terminals to provide completion resistors for resistive bridge measurements, voltage dividers, and precision current shunts. The 4WFB120, 4WFB350, and 4WFB1K complete a full bridge for a strain gage or other sensor that acts as a single variable resistor. The difference between the three models is in the resistor that matches the nominal resistance of a 120 ohm, 350 ohm, or 1000 ohm quarter bridge strain gage.

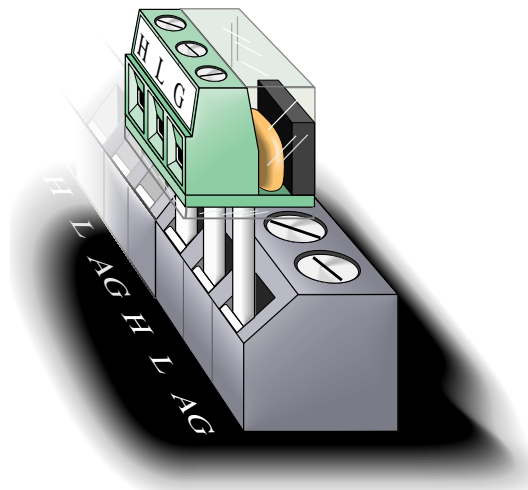


FIGURE 1-1. Terminal Input Module

## **2. Specifications**

### **2:1 Resistive Divider**

Resistors	1 k $\Omega$ /1 k $\Omega$
Ratio Tolerance @ 25 °C	$\pm$ 0.02%
Ratio Temperature coefficient	2 ppm/°C
Power rating	0.25 W

### **Completion Resistor: 120, 350, or 1000 $\Omega$**

Tolerance @ 25 °C	$\pm$ 0.01%
Temperature coefficient	
0-60 °C	4 ppm/°C
-55-125 °C	8 ppm/°C
Power rating	0.25 W

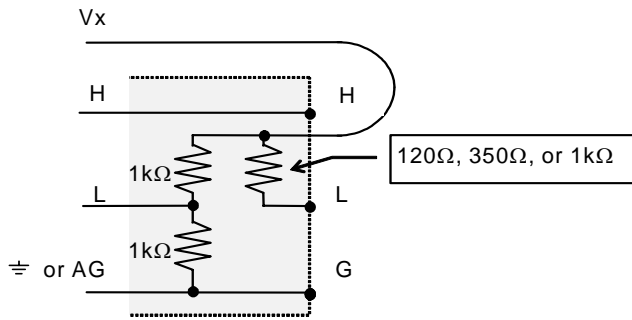


FIGURE 2-1. Schematic

### 3. Measurement Concepts

Measuring strain is measuring a change in length. Specifically, the unit *strain* ( $\varepsilon$ ) is the change in length divided by the unstrained length ( $\varepsilon = \Delta l / l$ ). Strain is typically reported in microstrain ( $\mu\varepsilon$ ); a microstrain is a change in length by one millionth of the length.

A metal foil strain gage is a resistive element that changes resistance as it is stretched or compressed. The strain gage is bonded to the object in which strain is measured. The gage factor,  $GF$ , is the ratio of the relative change in resistance for change in strain:  $GF = \Delta R / R / \Delta l / l$ . For example, a gage factor of 2 means that if the length changes by one micrometer per meter of length ( $1\mu\varepsilon$ ), the resistance will change by two micro-ohms per ohm of resistance.

Because the actual change in resistance is so small, a full bridge configuration is used to give the maximum resolution. A "quarter bridge" strain gage is so named because the strain gage becomes one of the four resistors that make up a full bridge. The 4WFBxxx module provides the other three resistors (Figure 4-1). Quarter bridge strain gages are available in nominal unstrained resistances of 120, 350, and 1000 ohms. The 4WFB model must match the resistance of the gage (e.g., the 4WFB120 is used with a 120 ohm strain gage).

The resistance of an installed gage will differ from the nominal value. A zero measurement can be made with the gage installed. This zero measurement can be incorporated into the datalogger program; subsequent measurements can report strain relative to the zero.

Strain is calculated in terms of the result of the full bridge measurement. This result is the measured bridge output voltage divided by the bridge excitation voltage  $V_{out} / V_{ex}$ . (The actual result of the full bridge instruction is the millivolts output per volt of excitation,  $1000 \cdot V_{out} / V_{ex}$ ) The result of the zero measurement,  $1000 \cdot V_{out0} / V_{ex}$  is stored and used to calculate future strain measurements. Strain is calculated from the change in the bridge measurement,

$$V_r = (V_{out} / V_{ex}) - (V_{out0} / V_{ex}) : \quad 3.1.$$

$$\varepsilon = \frac{4V_r}{GF(1 - 2V_r)} \quad 3.2.$$

The calculations are covered in more detail in section 6.

## 4. Wiring

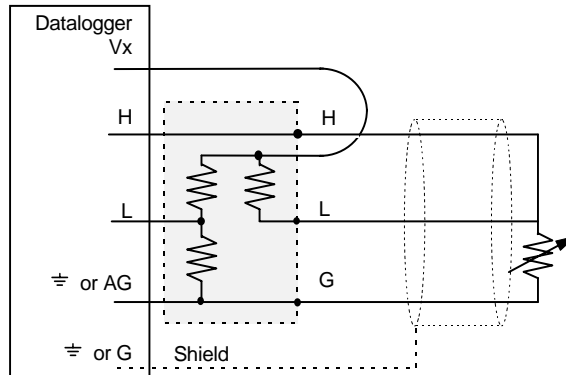


FIGURE 4-1. Wiring for Example Programs

Figure 4-1 illustrates the wiring of the strain gage to the 4WFB module and the wiring of the module to the datalogger. It is important that the gage be wired as shown with the wire from H connected at the gage, and that the leads to the L and G terminals be the same length, diameter, and wire type. With this configuration, changes in wire resistance due to temperature occur equally in both arms of the bridge with negligible effect on the output from the bridge.

## 5. Program Examples

The following examples for the CR10(X), 21X, CR7, and CR9000(X) all have a subroutine that measures the unstrained "zero" output of the strain gage. The examples calculate strain using equation 3.2 for a strain gage with a GF=2. These are just examples. Besides adding additional measurement instructions, the programs will probably need to have the scan and data storage intervals altered for actual applications. The instructions in the subroutine will also need to be modified for the actual gage factor.

This zeroing subroutine is called automatically when the program is first executed. The user can call the subroutine by setting Flag 1 low using the datalogger support software or the \*6 mode with the keyboard display. The "zero" reading is then used during normal measurements for the strain calculations.

## 5.1 Edlog

Dataloggers that use Edlog include CR510, CR10(X), 21X, and CR7. The Edlog instruction that measures strain gages is Instruction 6 – Full Bridge.

The Input Locations assignments used in CR10(X), 21X, and CR7 Examples are listed in Table 5-1.

Addr	Name
1	mVperV
2	mVperV_0
3	Vr
4	uStrain
5	Count
6	GF
7	_4e6
8	Mult
9	1_2Vr
10	Vr_1_2Vr

### 5.1.1 CR10(X)

```

;{CR10X}
;
*Table 1 Program
 01: 1      Execution Interval (seconds)

;Other measurements could be inserted here or before the Output section

1: If Flag/Port (P91)                                ;On the first execution (Flag 1 is low)
 1: 21      Do if Flag 1 is Low                       ;or when user sets Flag 1 low
 2: 1       Call Subroutine 1                          ;call the zeroing subroutine

2: Full Bridge (P6)                                   ;Measure the strain gage
 1: 1       Reps
 2: 22      ± 7.5 mV 60 Hz Rejection Range
 3: 1       DIFF Channel
 4: 1       Excite all reps w/Exchan 1
 5: 2500    mV Excitation
 6: 1       Loc [ mVperV ]
 7: 1       Mult
 8: 0       Offset
    
```



```

3: X-Y (P35)                                ;Subtract zero reading from the
1: 1      X Loc [ mVperV ]                  ;measurement
2: 2      Y Loc [ mVperV_0 ]
3: 3      Z Loc [ Vr      ]

4: X*F (P37)                                ;Change Vr from mV/V to V/V
1: 3      Loc [ Vr      ]
2: 0.001
3: 3      Loc [ Vr      ]

;The following instructions calculate microstrain

5: Z=X*F (P37)
1: 3      X Loc [ Vr      ]
2: -2     F
3: 9      Z Loc [ 1_2Vr  ]

6: Z=Z+1 (P32)
1: 9      Z Loc [ 1_2Vr  ]

7: Z=X/Y (P38)
1: 3      X Loc [ Vr      ]
2: 9      Y Loc [ 1_2Vr  ]
3: 10     Loc [ Vr_1_2Vr ]

8: Z=X*Y (P36)
1: 10     X Loc [ Vr_1_2Vr ]
2: 8      Y Loc [ Mult   ]
3: 4      Z Loc [ uStrain ]

;Output Section
;This example outputs an average of the 1 second readings
;once per minute.

09: If time is (P92)
1: 0      Minutes (Seconds --) into a
2: 1      Interval (same units as above)
3: 10     Set Output Flag High

10: Set Active Storage Area (P80)
1: 1      Final Storage Area 1
2: 1      Array ID                      ;Set Array ID = 1 for measurement data

11: Real Time (P77)
1: 1110   Year,Day,Hour/Minute

12: Average (P71)
1: 1      Reps
2: 4      Loc [ uStrain ]

*Table 2 Program
2: 0.0000 Execution Interval (seconds)

```

*Table 3 Subroutines		
1: Beginning of Subroutine (P85)		<i>;Subroutine to measure "zero"</i>
1: 1	Subroutine 1	
2: Do (P86)		<i>;This prevents calling subroutine</i>
1: 11	Set Flag 1 High	<i>;until user sets flag 1 low again.</i>
3: Z=F (P30)		<i>;Set counter use for average to 0</i>
1: 0	F	
2: 0	Exponent of 10	
3: 5	Z Loc [ Count ]	
4: Z=F (P30)		<i>;load 4 million (4*uS/S) into input location</i>
1: 4	F	
2: 6	Exponent of 10	
3: 7	Z Loc [ _4e6 ]	
5: Z=F (P30)		<i>;Load Gage Factor into input location</i>
1: 2	F	<i>;Enter the actual Gage Factor here</i>
2: 0	Exponent of 10	
3: 6	Z Loc [ GF ]	
6: Z=X/Y (P38)		<i>;calculate multiplier to use with strain</i>
1: 7	X Loc [ _4e6 ]	<i>;calculation</i>
2: 6	Y Loc [ GF ]	
3: 8	Z Loc [ Mult ]	
7: Beginning of Loop (P87)		<i>;Loop through 5 times to obtain average</i>
1: 0	Delay	<i>;zero reading</i>
2: 5	Loop Count	
8: Z=Z+1 (P32)		<i>;Increment Counter used to determine</i>
1: 5	Z Loc [ Count ]	<i>;when to output</i>
9: Full Bridge (P6)		<i>;Measure Strain Gage</i>
1: 1	Reps	
2: 22	± 7.5 mV 60 Hz Rejection Range	
3: 1	DIFF Channel	
4: 1	Excite all reps w/Exchan 1	
5: 2500	mV Excitation	
6: 1	Loc [ mVperV ]	
7: 1	Mult	
8: 0	Offset	
10: IF (X<=>F) (P89)		<i>;Check for last pass through loop</i>
1: 5	X Loc [ Count ]	<i>;to set output flag</i>
2: 3	>=	
3: 5	F	
4: 10	Set Output Flag High	

```

11: Set Active Storage Area (P80)                ;Direct averaged "zero" reading
    1: 3      Input Storage Area                ;to input storage
    2: 2      Array ID or Loc [ mVperV_0 ]

12: Average (P71)
    1: 1      Reps
    2: 1      Loc [ mVperV ]

13: If Flag/Port (P91)                          ;When average is calculated,
    1: 10     Do if Output Flag is High (Flag 0) ;also send it to Final Storage
    2: 10     Set Output Flag High

14: Set Active Storage Area (P80)                ;Direct Output to Final Storage
    1: 1      Final Storage Area 1
    2: 11     Array ID                        ;set Array ID = 11 for zero data

15: Real Time (P77)
    1: 110    Day,Hour/Minute

16: Sample (P70)
    1: 1      Reps
    2: 2      Loc [ mVperV_0 ]

17: End (P95)

18: End (P95)

End Program

```

### 5.1.2 21X

```

;{21X}
*Table 1 Program
  01: 1      Execution Interval (seconds)

;Other measurements could be inserted here or before the Output section

1: If Flag/Port (P91)                          ;On the first execution (Flag 1 is low)
    1: 21     Do if Flag 1 is Low                ;or when user sets Flag 1 low
    2: 1      Call Subroutine 1                  ;call the zeroing subroutine

2: Full Bridge (P6)                             ;Measure the strain gage
    1: 1      Reps
    2: 2      ± 15 mV Slow Range
    3: 1      DIFF Channel
    4: 1      Excite all reps w/Exchan 1
    5: 5000   mV Excitation
    6: 1      Loc [ mVperV ]
    7: 1      Mult
    8: 0      Offset

```

```

3: Z=X-Y (P35)                                ;Subtract zero reading from the
1: 1      X Loc [ mVperV ]                    ;measurement
2: 2      Y Loc [ mVperV_0 ]
3: 3      Z Loc [ Vr      ]

4: Z=X*F (P37)                                ;Change Vr from mV/V to V/V
1: 3      X Loc [ Vr      ]
2: 0.001  F
3: 3      Z Loc [ Vr      ]

;The following instructions calculate microstrain

5: Z=X*F (P37)
1: 3      X Loc [ Vr      ]
2: -2     F
3: 9      Z Loc [ 1_2Vr  ]

6: Z=Z+1 (P32)
1: 9      Z Loc [ 1_2Vr  ]

7: Z=X/Y (P38)
1: 3      X Loc [ Vr      ]
2: 9      Y Loc [ 1_2Vr  ]
3: 10     Z Loc [ Vr_1_2Vr ]

8: Z=X*Y (P36)
1: 10     X Loc [ Vr_1_2Vr ]
2: 8      Y Loc [ Mult   ]
3: 4      Z Loc [ uStrain ]

;Output Section
;This example outputs an average of the 1 second readings
;once per minute.

9: If time is (P92)
1: 0      Minutes (Seconds --) into a
2: 1      Interval (same units as above)
3: 10     Set Output Flag High

10: Set Active Storage Area (P80)
1: 1      Final Storage Area 1
2: 1      Array ID                                ;Set Array ID = 1 for measurement data

11: Real Time (P77)
1: 1110   Year,Day,Hour/Minute

12: Average (P71)
1: 1      Reps
2: 4      Loc [ uStrain ]

*Table 2 Program
01: 0.0000 Execution Interval (seconds)

```

\*Table 3 Subroutines

1: Beginning of Subroutine (P85)		<i>;Subroutine to measure "zero"</i>
1: 1	Subroutine 1	
2: Do (P86)		<i>;This prevents calling subroutine</i>
1: 11	Set Flag 1 High	<i>;until user sets flag 1 low again.</i>
3: Z=F (P30)		<i>;Set counter use for average to 0</i>
1: 0	F	
2: 5	Z Loc [ count ]	
4: Z=F (P30)		<i>;load 4000 into</i>
1: 4000	F	<i>;input location</i>
2: 7	Z Loc [ 4e6 ]	
5: Z=X*F (P37)		<i>;Multiply by 1000 to get (4*uS/S)</i>
1: 7	X Loc [ 4e6 ]	
2: 1000	F	
3: 7	Z Loc [ 4e6 ]	
6: Z=F (P30)		<i>;Load Gage Factor into input location</i>
1: 2	F	<i>;Enter the actual Gage Factor here</i>
2: 6	Z Loc [ GF ]	
7: Z=X/Y (P38)		<i>;calculate multiplier to use with strain</i>
1: 7	X Loc [ 4e6 ]	<i>;calculation</i>
2: 6	Y Loc [ GF ]	
3: 8	Z Loc [ Mult ]	
8: Beginning of Loop (P87)		<i>;Loop through 5 times to obtain average</i>
1: 0	Delay	<i>;zero reading</i>
2: 5	Loop Count	
9: Z=Z+1 (P32)		<i>;Increment Counter used to determine</i>
1: 5	Z Loc [ count ]	<i>;when to output</i>
10: Full Bridge (P6)		<i>;Measure Strain Gage</i>
1: 1	Reps	
2: 2	± 15 mV Slow Range	
3: 1	DIFF Channel	
4: 1	Excite all reps w/Exchan 1	
5: 5000	mV Excitation	
6: 1	Loc [ mVperV ]	
7: 1	Mult	
8: 0	Offset	
11: IF (X<=>F) (P89)		<i>;Check for last pass through loop</i>
1: 5	X Loc [ count ]	<i>;to set output flag</i>
2: 3	>=	
3: 5	F	
4: 10	Set Output Flag High	

```

12: Set Active Storage Area (P80)                ;Direct averaged "zero" reading
1: 3      Input Storage                        ;to input storage
2: 2      Array ID or Loc [ mVperV_0 ]

13: Average (P71)
1: 1      Reps
2: 1      Loc [ mVperV ]

14: If Flag/Port (P91)                          ;When average is calculated,
1: 10     Do if Output Flag is High (Flag 0) ;also send it to Final Storage
2: 10     Set Output Flag High

15: Set Active Storage Area (P80)                ;Direct Output to Final Storage
1: 1      Final Storage
2: 11     Array ID                            ;set Array ID = 11 for zero data

16: Real Time (P77)
1: 110    Day,Hour/Minute

17: Sample (P70)
1: 1      Reps
2: 2      Loc [ mVperV_0 ]

18: End (P95)

19: End (P95)

End Program

```

### 5.1.3 CR7

```

;{CR7}
*Table 1 Program
01: 1.0000 Execution Interval (seconds)

;Other measurements could be inserted here or before the Output section

1: If Flag/Port (P91)                          ;On the first execution (Flag 1 is low)
1: 21     Do if Flag 1 is Low                  ;or when user sets Flag 1 low
2: 1      Call Subroutine 1                   ;call the zeroing subroutine

2: Full Bridge (P6)                            ;Measure the strain gage
1: 1      Reps
2: 3      ±15 mV Slow Range
3: 1      In Card
4: 1      DIFF Channel
5: 1      Ex Card
6: 1      Ex Channel
7: 1      Meas/Ex
8: 5000   mV Excitation
9: 1      Loc [ mVperV ]
10: 1     Mult
11: 0     Offset

```

```

3: Z=X-Y (P35)                                ;Subtract zero reading from the
1: 1      X Loc [ mVperV ]                    ;measurement
2: 2      Y Loc [ mVperV_0 ]
3: 3      Z LOC [ Vr      ]

4: Z=X*F (P37)                                ;Change Vr from mV/V to V/V
1: 3      X Loc [ Vr      ]
2: 0.001  F
3: 3      Z Loc [ Vr      ]

;The following instructions calculate microstrain

5: Z=X*F (P37)
1: 3      X Loc [ Vr      ]
2: -2     F
3: 9      Z LOC [ 1_2Vr  ]

6: Z=Z+1 (P32)
1: 9      Z LOC [ 1_2Vr  ]

7: Z=X/Y (P38)
1: 3      X Loc [ Vr      ]
2: 9      Y Loc [ 1_2Vr  ]
3: 10     Z LOC [ Vr_1_2Vr ]

8: Z=X*Y (P36)
1: 10     X Loc [ Vr_1_2Vr ]
2: 8      Y Loc [ Mult    ]
3: 4      Z LOC [ uStrain ]

;Output Section
;This example outputs an average of the 1 second readings
;once per minute.

9: If time is (P92)
1: 0      Minutes (Seconds --) into a
2: 1      Interval (same units as above)
3: 10     Set Output Flag High

10: Set Active Storage Area (P80)
1: 1      Final Storage Area 1
2: 1      Array ID                                ;Set Array ID = 1 for measurement data

11: Real Time (P77)
1: 1110   Year,Day,Hour/Minute

12: Average (P71)
1: 1      Reps
2: 4      Loc [ uStrain ]

```

*Table 2 Program		
01:	0.0000	Execution Interval (seconds)
*Table 3 Subroutines		
1:	Beginning of Subroutine (P85)	<i>;Subroutine to measure "zero"</i>
1:	1	Subroutine 1
2:	Do (P86)	<i>;This prevents calling subroutine</i>
1:	11	Set Flag 1 High <i>;until user sets flag 1 low again.</i>
3:	Z=F (P30)	<i>;Set counter use for average to 0</i>
1:	0	F
2:	5	Z LOC [ Count ]
4:	Z=F (P30)	<i>;load 4000 into</i>
1:	4000	F <i>;input location</i>
2:	7	Z LOC [ 4e6 ]
5:	Z=X*F (P37)	<i>;Multiply by 1000 to get (4*uS/S)</i>
1:	7	X Loc [ 4e6 ]
2:	1000	F
3:	7	Z LOC [ 4e6 ]
6:	Z=F (P30)	<i>;Load Gage Factor into input location</i>
1:	2	F <i>;Enter the actual Gage Factor here</i>
2:	6	Z LOC [ GF ]
7:	Z=X/Y (P38)	<i>;calculate multiplier to use with strain</i>
1:	7	X Loc [ 4e6 ] <i>;calculation</i>
2:	6	Y Loc [ GF ]
3:	8	Z LOC [ Mult ]
8:	Beginning of Loop (P87)	<i>;Loop through 5 times to obtain average</i>
1:	0	Delay <i>;zero reading</i>
2:	5	Loop Count
9:	Z=Z+1 (P32)	<i>;Increment Counter used to determine</i>
1:	5	Z Loc [ Count ] <i>;when to output</i>
10:	Full Bridge (P6)	<i>;Measure Strain Gage</i>
1:	1	Reps
2:	3	± 15 mV Slow Range
3:	1	In Card
4:	1	DIFF Channel
5:	1	Ex Card
6:	1	Ex Channel
7:	1	Meas/Ex
8:	5000	mV Excitation
9:	1	Loc [ mVperV ]
10:	1	Mult
11:	0	Offset



```

11: IF (X<=>F) (P89) ;Check for last pass through loop
    1: 5 X Loc [ Count ] ;to set output flag
    2: 3 >=
    3: 5 F
    4: 10 Set Output Flag High

12: Set Active Storage Area (P80) ;Direct averaged "zero" reading
    1: 3 Input Storage ;to input storage
    2: 2 Array ID or Loc [ mVperV_0 ]

13: Average (P71)
    1: 1 Reps
    2: 1 Loc [ mVperV ]

14: If Flag/Port (P91) ;When average is calculated,
    1: 10 Do if Output Flag is High (Flag 0) ;also send it to Final Storage
    2: 10 Set Output Flag High

15: Set Active Storage Area (P80) ;Direct Output to Final Storage
    1: 1 Final Storage
    2: 11 Array ID ;set Array ID = 11 for zero data

16: Real Time (P77)
    1: 110 Day,Hour/Minute

17: Sample (P70)
    1: 1 Reps
    2: 2 Loc [ mVperV_0 ]

18: End (P95)

19: End (P95)

End Program

```

## 5.2 CRBasic

Dataloggers that use CRBasic include our CR800, CR850, CR1000, CR3000, CR5000, and CR9000(X). CRBasic uses the StrainCalc Instruction for calculating strain from the output of different full bridge configurations:

StrainCalc(Dest,Reps,Source,BrZero,BrConfig,GageFactor,PoissonRatio)

Source is the variable holding the current measurement, BrZero is the zero measurement; this instruction uses the results of the full bridge measurement instruction (multiplier=1, offset=0, mV/V) directly. The code for the Bridge Configuration used with the 4WFB module is -1. Enter the actual gage factor for GageFactor. Enter 0 for the Poisson ratio parameter which is not used with this bridge configuration.

### 5.2.1 CR9000(X)

This example program is slightly different in operation than the examples for the other dataloggers. Data are only output to data table STRAINS when the user sets Flag(1). Every measurement is output (rather than averages like in the other examples) while Flag(1) is high.

```
' Program name: STRAIN.DLD

Public Count, ZStrain, StMeas, Strain, Flag(8)      'Declare all variables as public

'Data Table STRAINS samples every measurement when user Sets Flag(1) High

DataTable(STRAINS,Flag(1),-1)
  DataInterval(0,0,0,100)                        'Interval = Scan, 100 lapses
  Sample (1,Strain,Ieee4)
EndTable

'DataTable ZERO_1 stores the "zero" measurements

DataTable(ZERO_1,Count>99,100)                  'Trigger on Count 100
  Average(1,ZStrain,IEEE4,0)
EndTable

'Subroutine to measure Zero, Called when user sets Flag(2)low

Sub Zero
  Count = 0                                       'Reset Count
  Scan(10,mSec,0,100)                             'Scan 100 times
  BrFull(ZStrain,1,mV50,5,1,6,7,1,5000,1,0,0,100,1,0)
  Count = Count + 1                               'Increment Counter used By DataTable
  CallTable ZERO_1                               'Zero_1 outputs on last scan (Count=100)
  Next Scan
  ZStrain = ZERO_1.ZStrain_Avg(1,1)              'Set ZStrain = averaged value
  Flag(1) = True
End Sub

BeginProg
  Scan(10,mSec,0,0)                               'Scan 10(mSecs)
  If Not Flag(2) Then Zero
  BrFull(StMeas,1,mV50,5,1,6,7,1,5000,1,0,0,100,1,0)
  StrainCalc(Strain,1,StMeas,ZStrain,-1,2,0)
  CallTable STRAINS                              'Strains outputs only when Flag(1)=True
  Next Scan
EndProg
```

## 6. Calculation of Strain

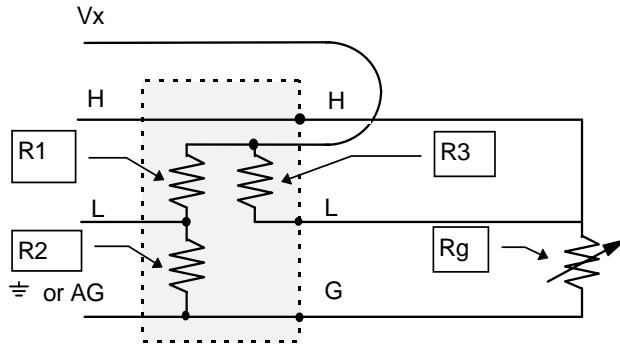


FIGURE 6-1. Strain Gage in Full Bridge

Figure 6-1 is the diagram of the strain gage in the full bridge configuration provided by the terminal input module. The result of the datalogger's full bridge measurement when a multiplier of 1 and an offset of 0 is used is the measured bridge output in millivolts divided by the excitation in volts (1000 mV=1V):

$$1000 \cdot \frac{V_{out}}{V_{in}} = 1000 \cdot \left( \frac{R_g}{R_3 + R_g} - \frac{R_2}{R_1 + R_2} \right) \quad 6.3.$$

The result is output in the units of millivolts output per volt of excitation because the output voltage is small relative to the excitation voltage; these units allow the result to be a larger number easier for the datalogger to display and store (see data format discussion in the datalogger manual). The output is a ratio because: 1) the datalogger's ratiometric measurement technique allows this ratio to be more accurate than the measurement of the output voltage (errors in the excitation and measured output cancel). 2) This ratio can be used directly in the calculation of strain.

When strain is calculated the direct ratio of the voltages (volts per volt not millivolts per volt) will be used:

$$\frac{V_{out}}{V_{in}} = \frac{R_g}{R_3 + R_g} - \frac{R_2}{R_1 + R_2} \quad 6.4.$$

If the previous equation is taken as the result when the gage is unstrained, then when the gage is strained it will change resistance by  $\Delta R_g$ . The equation for the bridge output is:

$$\frac{V_{out}}{V_{in \text{ strained}}} = \frac{R_g + \Delta R_g}{R_3 + R_g + \Delta R_g} - \frac{R_2}{R_1 + R_2} \quad 6.5.$$

Subtracting the unstrained (zero) result from the strained result gives  $V_r$ :

$$V_r = \left( \frac{V_{out}}{V_{in}} \right)_{strained} - \left( \frac{V_{out}}{V_{in}} \right)_{unstrained} = \frac{R_g + \Delta R_g}{R_3 + R_g + \Delta R_g} - \frac{R_g}{R_3 + R_g} \quad 6.6.$$

$$= \frac{R_3 \cdot \Delta R_g}{(R_3 + R_g + \Delta R_g) \cdot (R_3 + R_g)}$$

The terminal input module is selected so that  $R_3 = R_g$ . Substituting  $R_g$  for  $R_3$ :

$$V_r = \frac{R_g \cdot \Delta R_g}{(R_g + R_g + \Delta R_g) \cdot (R_g + R_g)} = \frac{R_g \cdot \Delta R_g}{4R_g^2 + 2R_g \Delta R_g} = \frac{\Delta R_g}{4R_g + 2\Delta R_g} \quad 6.7.$$

Solving for strain:

$$(4R_g + 2\Delta R_g)V_r = \Delta R_g$$

$$4R_g V_r + 2\Delta R_g V_r = \Delta R_g$$

$$4R_g V_r = \Delta R_g - 2\Delta R_g V_r$$

$$4R_g V_r = \Delta R_g (1 - 2V_r)$$

$$\frac{4V_r}{1 - 2V_r} = \frac{\Delta R_g}{R_g} \quad 6.8.$$

Strain is calculated by dividing equation 6.8 by the gage factor. The units are converted to microstrain by multiplying by  $10^6$  uS/S.

$$\mu\varepsilon = \frac{4 \cdot 10^6 V_r}{GF(1 - 2V_r)} = \frac{10^6 \Delta R_g}{GF \cdot R_g} \quad 6.9.$$



## **Campbell Scientific Companies**

---

### **Campbell Scientific, Inc. (CSI)**

815 West 1800 North  
Logan, Utah 84321  
UNITED STATES  
www.campbellsci.com  
info@campbellsci.com

### **Campbell Scientific Africa Pty. Ltd. (CSAf)**

PO Box 2450  
Somerset West 7129  
SOUTH AFRICA  
www.csafrica.co.za  
cleroux@csafrica.co.za

### **Campbell Scientific Australia Pty. Ltd. (CSA)**

PO Box 444  
Thuringowa Central  
QLD 4812 AUSTRALIA  
www.campbellsci.com.au  
info@campbellsci.com.au

### **Campbell Scientific do Brazil Ltda. (CSB)**

Rua Luisa Crapsi Orsi, 15 Butantã  
CEP: 005543-000 São Paulo SP BRAZIL  
www.campbellsci.com.br  
suporte@campbellsci.com.br

### **Campbell Scientific Canada Corp. (CSC)**

11564 - 149th Street NW  
Edmonton, Alberta T5M 1W7  
CANADA  
www.campbellsci.ca  
dataloggers@campbellsci.ca

### **Campbell Scientific Ltd. (CSL)**

Campbell Park  
80 Hathern Road  
Shepshed, Loughborough LE12 9GX  
UNITED KINGDOM  
www.campbellsci.co.uk  
sales@campbellsci.co.uk

### **Campbell Scientific Ltd. (France)**

Miniparc du Verger - Bat. H  
1, rue de Terre Neuve - Les Ulis  
91967 COURTABOEUF CEDEX  
FRANCE  
www.campbellsci.fr  
campbell.scientific@wanadoo.fr

### **Campbell Scientific Spain, S. L.**

Psg. Font 14, local 8  
08013 Barcelona  
SPAIN  
www.campbellsci.es  
info@campbellsci.es