

Radios, RF Modem, Base Station Package

Models RF300 - RF304, RF95A, RF232A

The RF95A modem, RF232A Base Station, and RF300-RF304 radios are used in Campbell Scientific radiotelemetry networks. The radios are VHF- and UHF-synthesized data transceivers manufactured by Johnson Data Telemetry Corporation.

Features:

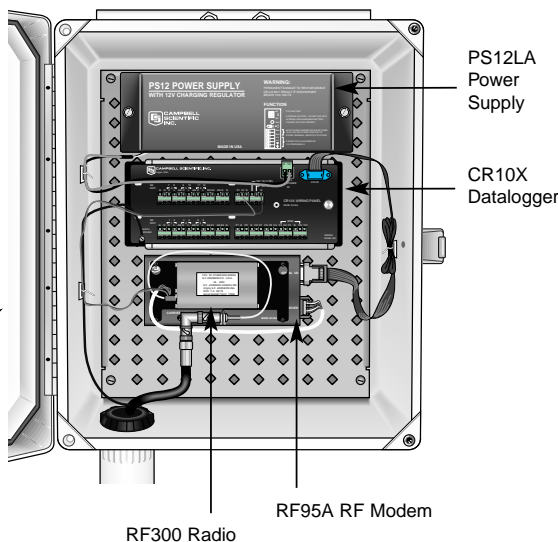
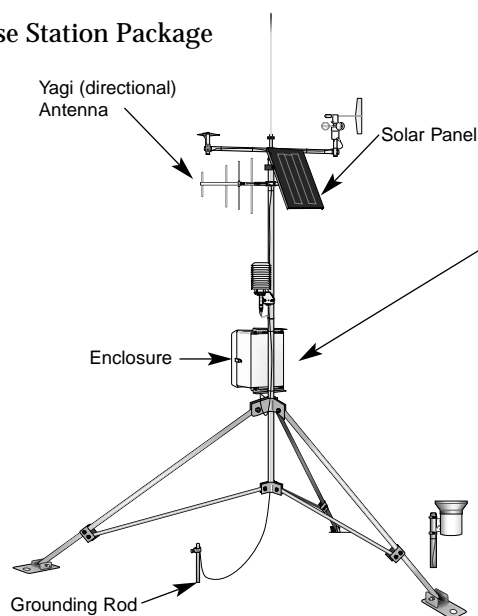
- Meets NTIA narrowband and FCC re-farming requirements for transmission
- Allows programming of the radio to your FCC-assigned frequency using optional software. Contact CSI for details
- Compatible with our CR510, CR10(X), 21X, CR23X, and CR7 dataloggers
- Backward compatible with RF stations that use older radio models, e.g., P50, RF100, RF200. (Note: Not compatible with Maxon Radios, e.g. RF310, RF312, RF313).

Ordering Information

A Federal Communication Commission license is required before ordering radios. When you obtain your FCC license, the FCC will assign you a frequency. This frequency must be specified at time of order so that the radios can be programmed to that frequency.

The model number of the radios indicates the frequencies that the radio will support:

- RF300 VHF Radio, 150 to 174 MHz
- RF301 VHF Radio, 132 to 150 MHz
- RF302 UHF Radio, 450 to 470 MHz
- RF303 UHF Radio, 403 to 419 MHz
- RF304 UHF Radio, 419 to 435, 435 to 451, 464 to 480, 480 to 496, 496 to 512 MHz
- 13855 Optional push-to-talk switch that triggers a brief transmission to verify operation of radio
- RF95A RF Modem
- RF232A Base Station Package



A typical RF field station located on a CM10 tripod-based weather station



CAMPBELL SCIENTIFIC, INC.

815 W. 1800 N. • Logan, Utah 84321-1784 • (435) 753-2342 • FAX (435) 750-9540 • www.campbellsci.com

Specifications

RF300-RF304 Radios

Power output: 5 W at 13.3 V nominal
Frequency control: Synthesized
Channel spacing: 15/30 kHz (VHF), 12.5/25 kHz (UHF)
Operation voltage: 13.3 Vdc nominal (10 to 16 Vdc operational)
Operating temperature: -30° to +60°C
Humidity: 95% maximum RH at 40°C, non-condensing
Dimensions: 4.6" x 3.3" x 2.2" (11.7 cm x 8.4 cm x 5.6 cm)
Current drain: 50 mA quiescent, ~ 1.5 A while transmitting

RF95A Modem

Temperature range: -25° to +50°C standard, -55° to +85°C extended
Dimensions: 7.8" x 3.3" x 1" (with connectors)
Weight: 0.5 lbs

RF232A Base Station

Temperature range: -25° to +50°C
Connection: 25-pin RS-232 port for connection to PC
Power: 110 Vac
Weight: 6.3 lbs without the radio



CAMPBELL SCIENTIFIC, INC.

815 W. 1800 N. • Logan, Utah 84321-1784 • (435) 753-2342 • FAX (435) 750-9540
Offices also located in: Australia • Brazil • Canada • England • France • South Africa

Copyright © 1999, 2001
Campbell Scientific, Inc.
Printed March 2001