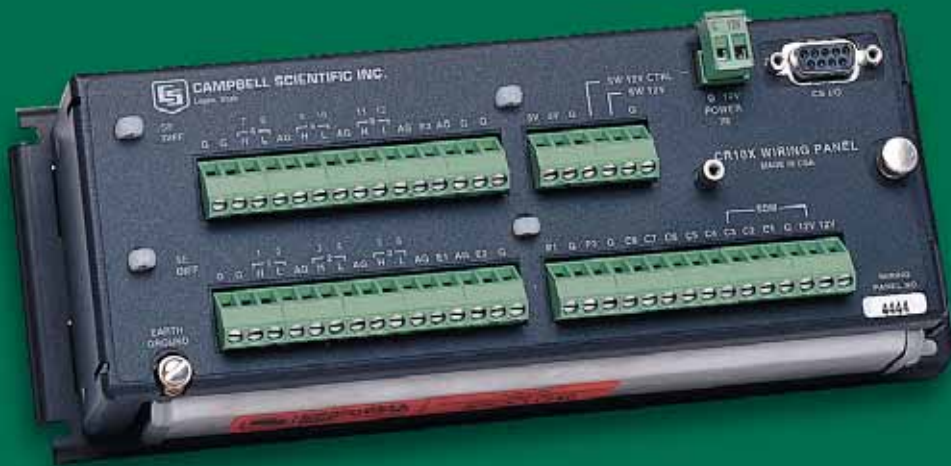


CR10X Measurement and Control System

A Rugged Instrument with Research-Grade Performance



CAMPBELL SCIENTIFIC, INC.

815 W. 1800 N. • Logan, Utah 84321-1784 • (435) 753-2342 • FAX (435) 750-9540 • www.campbellsci.com

CR10X Measurement and Control System

A Rugged Instrument with Research-Grade Performance

The CR10X is a rugged measurement and control system that delivers accurate, reliable measurements in a variety of applications. Designed for both research and day-to-day monitoring operations, the CR10X combines the ability to measure virtually any sensor with the control capability to respond to specific site conditions (e.g., open flood gates, turn fans off/on). From simple to complex, Campbell Scientific data acquisition systems are at work on every continent, at sea, and in space.

Measurement Example — Weather Station

Measurements: The CR10X measures wind speed and direction, air temperature, relative humidity, precipitation, barometric pressure, soil moisture and temperature, and solar radiation. Scan rates are programmable from 1/64 second to 2.5 hours.

Data Processing: Output intervals for raw or processed data are user-specified. Typically, hourly and daily summaries (e.g., maxima, minima, averages, histograms) are stored. Conditional outputs, such as rainfall intensity, can also be processed and stored.

Data Storage: The non-volatile Flash memory and lithium-backed SRAM store up to 62,000 data points—equating to more than three months of data when typical hourly and daily outputs are stored from a typical meteorological application. An optional memory expansion allows the CR10X to store more than one million data points—or about 12 years' worth of meteorological data.

Data Retrieval: Data can be transferred to a computer using telephones (including cellular or voice-synthesized), radio telemetry, short-haul modems, satellite transmitters, multi-drop modems, Ethernet, or storage modules.

12-Volt Power: The low-power design allows the CR10X to operate up to one year on a 7 Ahr, unregulated 12 Vdc source, depending on scan rate, number of sensors, data retrieval method, and external temperature.



Measurement and Control Example — Head Gates



Measurements: The CR10X measures water level upstream, downstream, and in a diversion ditch.

Data Storage/Processing/Retrieval: Data are recorded over time, showing trends. The CR10X calculates flow and summarizes the data as averages, maxima, or totals. A PC, PDA or keyboard display can show both real-time and summarized data.

Equipment Control: The CR10X controls multiple headgates based on measured conditions, flow, or time. The control capabilities of the CR10X allow levels to be maintained, even in the absence of a manager. The gates can also be controlled remotely by the water master if conditions change.

Alarms: If high or low water levels are detected, the CR10X can initiate on-site alarms, data or voice-synthesized warning calls, or activate pagers.

Applications

The measurement precision, flexibility, long-term reliability, and economical price of the CR10X make it ideal for scientific, commercial, and industrial applications.

Meteorology

The CR10X is used in long-term climatological monitoring, meteorological research, and routine weather measurement applications. Sensors the CR10X can measure include:

- cup, propeller, and sonic anemometers
- tipping bucket and weighing rain gages
- wind vanes
- evaporation pans and lysimeters
- pyranometers
- ultrasonic distance sensors
- thermistors, thermocouples, and RTDs
- capacitance and strain gage barometric pressure sensors
- RH sensors
- cooled mirror hygrometers



Weather station at Denali National Park, Alaska, monitors meteorological and soil conditions.

The CR10X can output data in your choice of units (e.g., wind speed in miles per hour, meters per second, or knots). Standard CR10X outputs include wind vector averaging, sigma, theta, histograms, saturation vapor pressure, and vapor pressure from wet/dry bulb temperatures.

Air Quality

The CR10X can monitor and control gas analyzers, particle samplers, and visibility sensors. The CR10X can also automatically control calibration sequences and compute conditional averages that exclude invalid data (e.g., data recorded during power failures or calibration intervals).



Network of approximately 20 stations continuously monitors air quality, northern Oquirrh Mountains, Utah.

Agriculture and Agricultural Research

The versatility of the CR10X allows measurement of agricultural processes and equipment in applications such as:

- plant water research
- canopy energy balance
- machinery performance
- plant pathology
- crop management decisions
- food processing/storage
- frost prediction
- irrigation scheduling
- integrated pest management



Typical agricultural research sites integrate meteorological, soil, and crop measurements.

Soil Moisture

The CR10X is compatible with the following soil moisture measurement technologies:

- **Soil moisture blocks** are inexpensive sensors that estimate soil water potential.
- **Matric water potential sensors** also estimate soil water potential but are more durable than soil moisture blocks.
- **Time-Domain Reflectometry Systems (TDR)** use a reflectometer controlled by a CR10X to accurately measure soil water content. Multiplexers allow sequential measurement of a large number of probes by one reflectometer, reducing cost per measurement.
- **Self-contained water content reflectometers** are sensors that emit and measure a TDR pulse.
- **Tensiometers** measure the soil pore pressure of irrigated soils and calculate soil moisture.

Industry

Vehicle Testing

The CR10X performs well in cold/hot temperature, high altitude, off-highway, and cross-country tests. It can measure temperature, fuel flow, velocity, acceleration, engine RPM, force, displacement, and electrical system load. The CR10X is often interfaced to a dashboard-mounted heads up display for luminescent data display in real time.

HVAC Systems

The CR10X optimizes HVAC performance by monitoring and controlling pumps, fans, and starter motors.

Process Control

Both product and assembly line status can be monitored simultaneously, providing on-line quality control while minimizing production down-time.

Water Resources

The CR10X is well-suited to remote, unattended monitoring of hydrologic conditions. Many hydrologic sensors, including SDI-12 sensors, interface directly to the CR10X.

Typical hydrologic measurements:

- **Water level** is monitored with incremental shaft encoders, double bubble, ultrasonic level transducers, resistance tapes, or strain gage or vibrating wire pressure transducers. Some shaft encoders require a QD1 Interface. Vibrating wire transducers require an AVW1, AVW4, or AVW100 Interface.
- **Well draw-down tests** use a pressure transducer measured at logarithmic intervals or at a rate based on incremental changes in water level.
- **Ionic conductivity** measurements use one of the switched excitation ports from the CR10X.
- **Samplers** are controlled by the CR10X as a function of time, water quality, or water level.
- **Alarm and pump actuation** are controlled through digital I/O ports that operate external relay drivers.



Datalogger measures water level using a shaft encoder, then calculates flow. The data are telemetered, via radio, to the water master for further processing, review, and archive. Stilling well at diversionary dam, Emery County, Utah.

Mining, Earth Science, and Geotechnical

The small size, low power requirements, and wide operating temperature range of the CR10X make it a good choice for these remote, typically harsh applications. Multiple CR10Xs can be accessed via telemetry allowing monitoring and review of measurements across an entire study area. Vibrating wire sensors, strain gages, load cells, pressure transducers, linear and string potentiometers, GPS receivers, and frequency output devices are regularly used in these systems.

Historical Preservation



Weather measurements on the Sphinx provided input for its preservation, Cairo, Egypt.

The CR10X's small size, versatility, and expandability allow it to simultaneously monitor environmental variables that could be detrimental to works of art (e.g., relative humidity, solar radiation, air temperature, water table level, gas concentrations). By using multiplexers or SDMs, these parameters (and others) can be monitored at a number of locations in a building or across a structure. This enables comprehensive monitoring, management, remediation efforts, and documentation.

Other Applications

- Avalanche control, snow science, and Arctic research
- Highway and pavement studies
- Sporting events
- Space research



Our dataloggers measured the effects of gravity on a test structure aboard a NASA low-gravity flight.

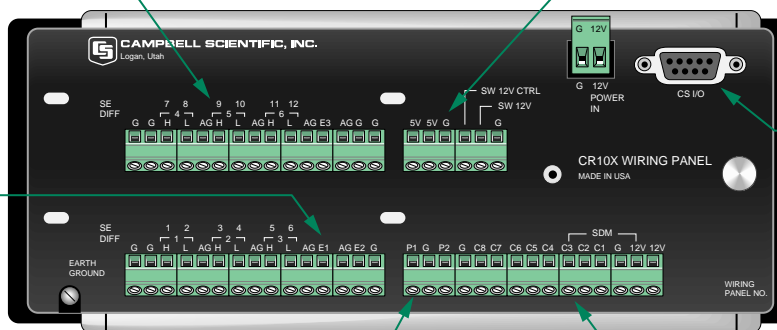
System Description

The CR10X consists of a Measurement and Control Module and a detachable Wiring Panel. The Mean Time Between Failures (MTBF) for the CR10X is over 180 years. Standard operating range is -25° to +50°C; an optional extended range of -55° to +85°C is available.

6 Differential (12 single-ended) Analog Inputs for measuring voltage levels on five software selectable voltage ranges.

3 Switched Excitation Channels for precision excitation of sensors or short-term actuation of external devices. Excitation is programmable over a ±2500 mV range.

2 Pulse Counting Channels for switch closures, high frequency pulses, or low level ac measurement.



Power and Ground Connections for 12 V external batteries or peripherals or for 5 V peripherals. Switched 12 V terminal is controlled by any digital output.

9-Pin CS I/O Port for connection of data storage, retrieval, and telecommunications peripherals.

8 Digital Inputs/Outputs for output control, sensing status, and reading SDM peripherals or SDI-12 sensors.

Measurement and Control Module

The module measures sensors, drives direct communications and telecommunications, reduces data, controls external devices, and stores data and programs in on-board, non-volatile storage. The electronics are RF shielded and glitch protected by the sealed, stainless steel canister. A battery-backed clock assures accurate timekeeping. The module can simultaneously provide measurement and communication functions.

The CR10X contains a comprehensive set of processing, math, and program control instructions to build a datalogger program. The maximum rate the CR10X can execute its program is 64 times per second. (The maximum rate a single input can be measured is 750 samples per second.) Data and programs are stored either in non-volatile Flash memory or battery-backed SRAM. The standard memory stores 62,000 data points. Optional versions store up to one million data points.

Datalogger Operating Systems

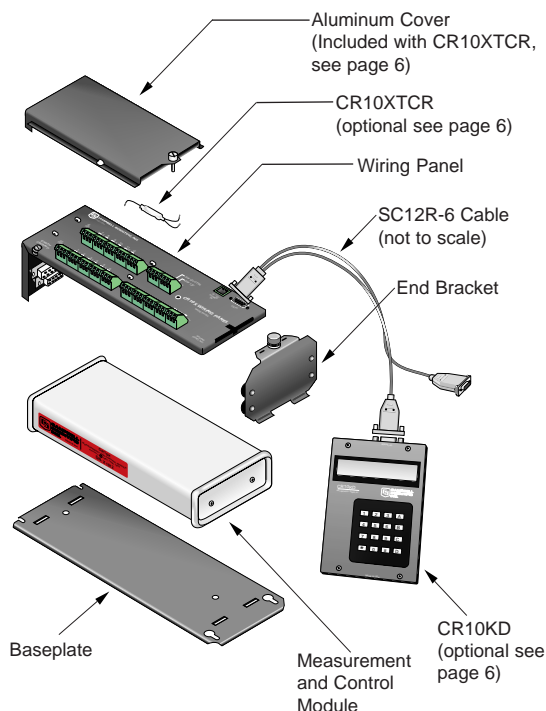
Options for the CR10X Operating System (OS) include array-based, table, Pakbus, Modbus, and ALERT. The array-based OS stores arrays of data at specified intervals or when a measured condition has been met. Two final storage areas are provided for storing the arrays. Table OS groups similar data in separate tables. Pakbus OS enables the CR10X to communicate with CR200-series dataloggers that are in the same network. Pakbus OS stores data in the same format as the table OS. The Modbus OS allows the CR10X to interface with SCADA or MMI software, and ALERT OS allows the CR10X to be used in an ALERT system. Operating System is specified at time of CR10X purchase but can be changed easily if application needs change.

SC12 and SC12R-6 Cables

The SC12 is a two-foot cable that connects communication devices to the CR10X's 9-pin serial port. The SC12 is shipped with most of our communication devices, including our phone modems, satellite transmitters, and keyboard display. The SC12R-6 is a six-foot cable that is purchased separately.

Wiring Panel

The Wiring Panel includes screw terminals for sensor connections and a 9-pin CS I/O port. An end bracket attaches the Wiring Panel to the Control Module and to an enclosure-mounted or free-standing baseplate. The Control Module easily disconnects from the Wiring Panel allowing field replacement without rewiring the sensors. Gas tubes on the wiring panel provide rugged electrostatic discharge protection.



Peripherals

Typical field-based CR10X systems include a data retrieval option, power supply, and environmental enclosure. Peripherals that expand the CR10X's measurement and control capabilities are also available.

Data Storage and Retrieval Options

To determine the best option for your application, consider the accessibility of your site, availability of services (e.g., cellular phone or satellite coverage), quantity of data to collect, and desired time between data-collection sessions.

Telephone Networks use landlines or cellular CDMA transceivers for communications between the datalogger and PC. Our voice-synthesized modem allows a CR10X to “speak” to you or transmit data to a computer.

Radio Frequency (RF) Communications are supported via UHF, VHF, spread spectrum, or meteor burst radios.

Direct Links use either an SC32B Interface or an SC-USB Interface to provide an optically isolated connection between the CR10X and a laptop or desktop computer. The SC32B connects to a computer RS-232 port and the SC-USB connects to a USB port.

PDAs can set the CR10X's clock, monitor real-time data, retrieve data, graph data, and transfer CR10X programs. PDAs with a Palm™ OS require PConnect software (purchased separately). These PDAs communicate with the CR10X via a direct serial connection, spread spectrum radio, or the SC-IRDA infrared wireless interface. PDAs with a Windows® CE OS require PConnectCE software (purchased separately). These PDAs communicate with the CR10X via a direct serial connection or spread spectrum radio.

Short Haul Modems provide local communications between the CR10X and a PC with an RS-232 serial port.

Multidrop Interface links a central computer to one or more dataloggers over a distance of 4000 ft.

Satellite Transmitters transmit data via the GOES, or Argos, satellite systems. Campbell Scientific's SAT HDR GOES transmitter has been certified by NESDIS for High Data Rates (HDR).

Ethernet Communications Peripherals allow the CR10X to communicate over a local network or the Internet.

Storage Modules reliably store data and datalogger programs. This allows you to transport programs between the datalogger and PC or use the storage modules to serve as an independent backup of the datalogger data. The storage modules are not compatible with the Table and Pakbus datalogger operating systems.

CR10KD Keyboard Display programs the CR10X, manually initiates data transfer, and displays data. One CR10KD can be carried from station to station in a CR10X network.

Other Displays such as the DataView Display Unit and the DSP4 Heads Up Display can be used with the CR10X. DataView provides a two-line, 32-character LCD that displays one real-time value, a description, and units. The DSP4 Heads Up Display is typically used in vehicle testing applications.

Thermocouple Reference Thermistor

Campbell Scientific offers the CR10XTCR which provides a temperature reference for thermocouple measurements. It requires



A satellite transmitter provides telecommunications for remote Argentine stations where phone lines are impractical.

one single-ended analog input channel. A cover that reduces temperature gradients along the input terminals is included.

Channel Expandability

The already formidable measurement and control capabilities can be expanded using CSI multiplexers and Synchronous Devices for Measurement (SDMs). SDMs are addressable peripherals that expand digital I/O ports, plus interval channels analog output ports, and datalogger measurement capabilities. Up to 16 SDMs can be connected to three CR10X control ports.

Multiplexers increase the number of sensors that can be measured by a CR10X by sequentially connecting each sensor to the datalogger. Several multiplexers can be connected to, and controlled by, a single CR10X.

Enclosures

A CR10X housed in a weather-resistant enclosure can collect data under extremely harsh conditions. The enclosure protects the CR10X from dust, water, sunlight, or pollutants. Typically a 12" x 14" or 16" x 18" enclosure is used. They are NEMA 4X enclosures modified for cable entry. The enclosures attach to a flat surface, 1.00" to 1.25" IPS pipe, or vertical mast or leg of a tripod or tower. These white fiberglass-reinforced polyester enclosures are UV-stabilized and reflect solar radiation, reducing temperature gradients inside the housing. An internal mounting plate is prepunched for easy system configuration and exchange of equipment in the field. A lockable hasp adds security.

Power Supplies

Any 12 Vdc source can power the CR10X; a PS100 or BPALK is typically used. The PS100 includes one 7 Ahr rechargeable battery, charged with ac power (requires the optional wall charger) or a solar panel. The BPALK consists of eight non-rechargeable D-cell alkaline batteries with a 7.5 Ahr rating at 20°C. An external AA-cell pack that supplies power while the D-cells are replaced is included.

The BP12 and BP24 battery packs are also available. The BP12 and BP24 have nominal ratings of 12 and 24 Ahrs, respectively. The batteries should be connected to a charging regulator and a charging source. For information about analyzing your system's power requirements, see our Power Supply product literature or Application Note 5-F. Both can be obtained from: www.campbellsci.com



Systems that include high current drain peripherals such as satellite transmitters or are located where it's inconvenient to replace batteries might require batteries with larger Ahr capacities than our PS100 or BPALK. Campbell Scientific offers the BP12 and BP24 battery packs for these systems.

Software Packages

Campbell Scientific software supports datalogger programming, communications between the datalogger and PC, and data display. Brief descriptions follow; for more information, see our literature or Web site.

Starter Software

Our Starter Software can be downloaded at no charge from www.campbellsci.com/resource.html. Our Resource CD also provides this software as well as PDF versions of our literature and manuals.

SCWin Program Builder creates datalogger programs requiring only sensor measurement and data output. It supports 120 sensors and multiplexers.

PC200W Starter Software allows you to transfer a program to, or retrieve data from, a CR10X via a direct communications link.

Datalogger Support Software

The LoggerNet 2.X-series is our full-featured software package that supports:

- direct connection and telecommunications links
- combinations of communication options (e.g., phone-to-RF)
- manual and scheduled data collection
- programming for most commercially available sensors as well as devices such as SDMs, multiplexers, and relays
- storage module communication
- multitab data displays that can include alarms, sliders, graphs, toggles, tables and/or gauges

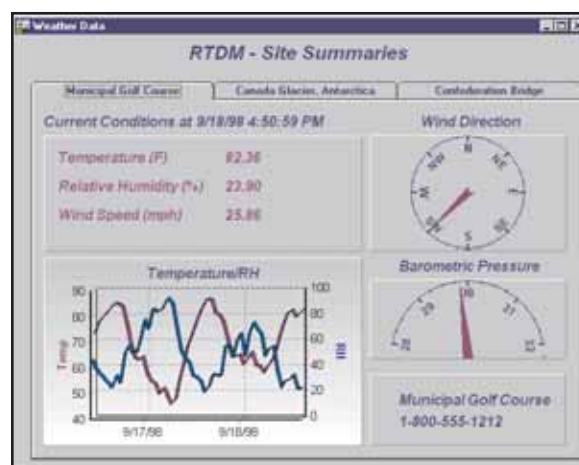
Campbell Scientific offers several programs that are intended to be used with our LoggerNet software. All of these programs require a licensed copy of LoggerNet running on a PC. The programs are:

- **Baler** stores LoggerNet data into new files so that the data can be imported to a data base or third-party analysis program
- **RTMC Web Server** converts real-time data displays into HTML files
- **RTMCRT** allows remote PCs to display and print real-time data

- **LoggerNetData** allows users at remote PCs to post-process LoggerNet data, generate reports, and display LoggerNet data
- **CSI OPC server** allows third-party OPC compatible graphic packages to view our datalogger data
- **LoggerNet-SDK** allows software developers to create and freely distribute custom applications that communicate with our dataloggers

Real-Time Data Monitor (RTDM)

RTDM allows experienced users to create custom graphic screens. RTDM supports automatic generation of JPEG output for Internet display. Developer and display-only versions are also available.



RTDM is powerful, versatile software that can display real-time or archived data in bar, lines, area, or point charts. Automatic generation of JPEG outputs facilitates displaying information on Internet pages.

CR10X Specifications

Electrical specifications are valid over a -25° to +50°C range unless otherwise specified; non-condensing environment required. To maintain electrical specifications, Campbell Scientific recommends recalibrating dataloggers every two years.

PROGRAM EXECUTION RATE

Program is synchronized with real-time up to 64 Hz. One channel can be measured at this rate with uninterrupted data transfer. Burst measurements up to 750 Hz are possible over short intervals.

ANALOG INPUTS

NUMBER OF CHANNELS: 6 differential or 12 single-ended, individually configured. Channel expansion provided by AM16/32 or AM416 Relay Multiplexers and AM25T Thermocouple Multiplexers.

ACCURACY: $\pm 0.1\%$ of FSR (-25° to 50°C);
 $\pm 0.05\%$ of FSR (0° to 40°C);
e.g., $\pm 0.1\%$ FSR = ± 5.0 mV for ± 2500 mV range

RANGE AND RESOLUTION:

Full Scale Input Range (mV)	Resolution (μ V)	
	Differential	Single-Ended
± 2500	333	666
± 250	33.3	66.6
± 25	3.33	6.66
± 7.5	1.00	2.00
± 2.5	0.33	0.66

INPUT SAMPLE RATES: Includes the measurement time and conversion to engineering units. The fast and slow measurements integrate the signal for 0.25 and 2.72 ms, respectively. Differential measurements incorporate two integrations with reversed input polarities to reduce thermal offset and common mode errors.

Fast single-ended voltage:	2.6 ms
Fast differential voltage:	4.2 ms
Slow single-ended voltage:	5.1 ms
Slow differential voltage:	9.2 ms
Differential with 60 Hz rejection:	25.9 ms
Fast differential thermocouple:	8.6 ms

INPUT NOISE VOLTAGE (for ± 2.5 mV range):

Fast differential:	0.82 μ V rms
Slow differential:	0.25 μ V rms
Differential with 60 Hz rejection:	0.18 μ V rms

COMMON MODE RANGE: ± 2.5 V

DC COMMON MODE REJECTION: >140 dB

NORMAL MODE REJECTION: 70 dB (60 Hz with slow differential measurement)

INPUT CURRENT: ± 9 nA maximum

INPUT RESISTANCE: 20 Gohms typical

ANALOG OUTPUTS

DESCRIPTION: 3 switched, active only during measurement, one at a time.

RANGE: ± 2.5 V

RESOLUTION: 0.67 mV

ACCURACY: ± 5 mV; ± 2.5 mV (0° to 40°C)

CURRENT SOURCING: 25 mA

CURRENT SINKING: 25 mA

FREQUENCY SWEEP FUNCTION: The switched outputs provide a programmable swept frequency, 0 to 2.5 V square wave for exciting vibrating wire transducers.

RESISTANCE MEASUREMENTS

MEASUREMENT TYPES: The CR10X provides ratiometric bridge measurements of 4- and 6-wire full bridge, and 2-, 3-, and 4-wire half bridges. Precise dual polarity excitation using any of the switched outputs eliminates dc errors. Conductivity measurements use a dual polarity 0.75 ms excitation to minimize polarization errors.

ACCURACY: $\pm 0.02\%$ of FSR plus bridge resistor error.

PERIOD AVERAGING MEASUREMENTS

The average period for a single cycle is determined by measuring the duration of a specified number of cycles. Any of the 12 single-ended analog input channels can be used. Signal attenuation and ac coupling are typically required.

INPUT FREQUENCY RANGE:

Signal peak-to-peak ¹ Min.	Max.	Min. Pulse w.	Max Freq. ²
500 mV	5.0 V	2.5 μ s	200 kHz
10 mV	2.0 V	10 μ s	50 kHz
5 mV	2.0 V	62 μ s	8 kHz
2 mV	2.0 V	100 μ s	5 kHz

¹Signals centered around datalogger ground

²Assuming 50% duty cycle

RESOLUTION: 35 ns divided by the number of cycles measured

ACCURACY: $\pm 0.01\%$ of reading (number of cycles ≥ 100)
 $\pm 0.03\%$ of reading (number of cycles < 100)

TIME REQUIRED FOR MEASUREMENT: Signal period times the number of cycles measured plus 1.5 cycles + 2 ms

PULSE COUNTERS

NUMBER OF PULSE COUNTER CHANNELS: 2 eight-bit or 1 sixteen-bit; software selectable as switch closure, high frequency pulse, and low level ac.

MAXIMUM COUNT RATE: 16 kHz, eight-bit counter; 400 kHz, sixteen-bit counter. Channels are scanned at 8 or 64 Hz (software selectable).

SWITCH CLOSURE MODE

Minimum Switch Closed Time: 5 ms
Minimum Switch Open Time: 6 ms
Maximum Bounce Time: 1 ms open without being counted

HIGH FREQUENCY PULSE MODE

Minimum Pulse Width: 1.2 μ s
Maximum Input Frequency: 400 kHz
Voltage Thresholds: Count upon transition from below 1.5 V to above 3.5 V at low frequencies. Larger input transitions are required at high frequencies because of input filter with 1.2 μ s time constant. Signals up to 400 kHz will be counted if centered around ± 2.5 V with deviations $\geq \pm 2.5$ V for ≥ 1.2 μ s.
Maximum Input Voltage: ± 20 V

LOW LEVEL AC MODE

(Typical of magnetic pulse flow transducers or other low voltage, sine wave outputs.)

Input Hysteresis: 14 mV

Maximum ac Input Voltage: ± 20 V

Minimum ac Input Voltage:

(Sine wave mV RMS)	Range (Hz)
20	1.0 to 1000
200	0.5 to 10,000
1000	0.3 to 16,000

DIGITAL I/O PORTS

8 ports, software selectable as binary inputs or control outputs. 3 ports can be configured to count switch closures up to 40 Hz.

OUTPUT VOLTAGES (no load): high 5.0 V ± 0.1 V; low < 0.1 V

OUTPUT RESISTANCE: 500 ohms

INPUT STATE: high 3.0 to 5.5 V; low -0.5 to 0.8 V

INPUT RESISTANCE: 100 kohms

SDI-12 INTERFACE STANDARD

Digital I/O Ports C1-C8 support SDI-12 asynchronous communication; up to ten SDI-12 sensors can be connected to each port. Meets SDI-12 Standard version 1.2 for datalogger and sensor modes.

CR10XTCR THERMOCOUPLE REFERENCE

POLYNOMIAL LINEARIZATION ERROR: Typically $\pm 0.5^\circ\text{C}$ (-35° to +50°C), $\pm 0.1^\circ\text{C}$ (-24° to +45°C).

INTERCHANGEABILITY ERROR: Typically $\pm 0.2^\circ\text{C}$ (0° to +60°C) increasing to $\pm 0.4^\circ\text{C}$ (at -35°C).

CE COMPLIANCE (as of 09/01)

STANDARD(S) TO WHICH CONFORMITY IS DECLARED:

EN55022: 1995 and IEC61326:2002

EMI and ESD PROTECTION

IMMUNITY: Meets or exceeds following standards:
ESD: per IEC 1000-4-2; ± 8 kV air, ± 4 kV contact discharge

RF: per IEC 1000-4-3; 3 V/m, 80-1000 MHz

EFT: per IEC 1000-4-4; 1 kV power, 500 V I/O

Surge: per IEC 1000-4-5; 1 kV power and I/O

Conducted: per IEC 1000-4-6; 3 V 150 kHz-80 MHz

Emissions and immunity performance criteria available on request.

CPU AND INTERFACE

PROCESSOR: Hitachi 6303

PROGRAM STORAGE: Up to 16 kbytes for active program; additional 16 kbytes for alternate programs. Operating system stored in 128 kbytes Flash memory.

DATA STORAGE: 128 kbytes SRAM standard (approximately 60,000 data values). Additional 2 Mbytes Flash available as an option.

OPTIONAL KEYBOARD DISPLAY: 8-digit LCD (0.5" digits)

PERIPHERAL INTERFACE: 9 pin D-type connector for keyboard display, storage module, modem, printer, card storage module, and RS-232 adapter.

BAUD RATES: Selectable at 300, 1200, 9600 and 76,800 bps for synchronous devices. ASCII communication protocol is one start bit, one stop bit, eight data bits (no parity).

CLOCK ACCURACY: ± 1 minute per month

SYSTEM POWER REQUIREMENTS

VOLTAGE: 9.6 to 16 Vdc

TYPICAL CURRENT DRAIN: 1.3 mA quiescent, 13 mA during processing, and 46 mA during analog measurement.

BATTERIES: Any 12 V battery can be connected as a primary power source. Several power supply options are available from Campbell Scientific. The Model CR2430 lithium battery for clock and SRAM backup has a capacity of 270 mAh.

PHYSICAL SPECIFICATIONS

SIZE: 7.8" x 3.5" x 1.5" - Measurement & Control Module; 9" x 3.5" x 2.9" - with CR10WP Wiring Panel. Additional clearance required for serial cable and sensor leads.

WEIGHT: 2 lbs

WARRANTY

Three years against defects in materials and workmanship.

We recommend that you confirm system configuration and critical specifications with Campbell Scientific before purchase.



CAMPBELL SCIENTIFIC, INC.

815 West 1800 North • Logan, Utah 84321-1784 • (435) 753-2342 • Fax (435) 750-9540
Offices also located in: Australia • Brazil • Canada • England • France • Germany • South Africa • Spain

Copyright © 1986, 2006
Campbell Scientific, Inc.
Printed April 2006