

385

Electrically Heated Rain and Snow Gage

Met One's Model 385 is an electrically heated rain gage that provides year-round measurement of rain or snow. This gage requires an adequately grounded, reliable source of 110 Vac power.

The 385 features a 12" diameter orifice that funnels precipitation into the tipping bucket assembly. When the tipping bucket fills, it tips and activates a reed switch. The switch closure is recorded by the datalogger, which is typically programmed to output total rainfall over a time interval such as an hour or day. If rainfall intensity data are desired, the datalogger can be programmed to record every tip or total rainfall every one to two minutes during the event. A metric version, available on special order, measures precipitation in increments of 0.1 mm.

Mounting

The base of the gage is supported by three legs. A CM240 Leveling Base and Mount or a user-supplied baseplate with leveling capability is recommended.

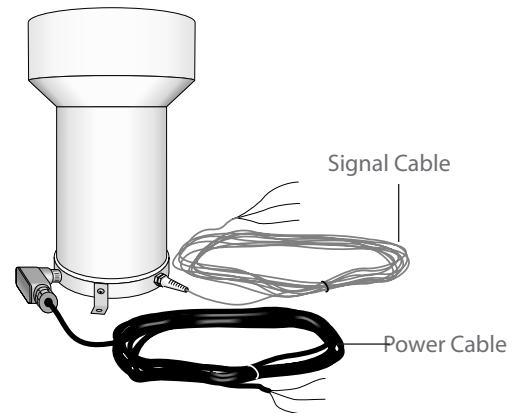
The CM240 mount may be attached to a CM300-series mounting pole or to a user-supplied 1.5 IPS (1.9" OD, unthreaded) pipe. Several pedestal options are available for securing the CM300-series mounting poles to the ground.

Wind Screen

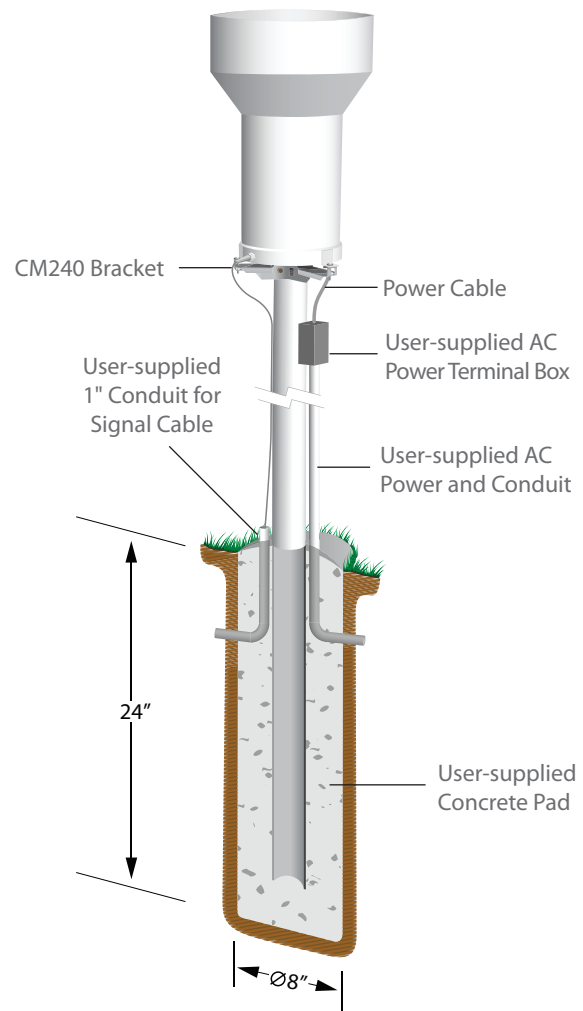
Campbell Scientific offers the 260-953 Wind Screen to help minimize the affect of wind on the rain measurements. This wind screen consists of 32 leaves that hang freely and swing as the wind moves past them.

Ordering Information

Rain and Snow Gage	
385	Met One Electrically Heated Rain/SnowGage (0.01 inch tips).
-L	After the L, specify the signal-cable lead length (in feet).
-LP	After the LP, specify the power-cable lead length (in feet).



The 385 includes a 3-prong plug for connecting to a wall socket.



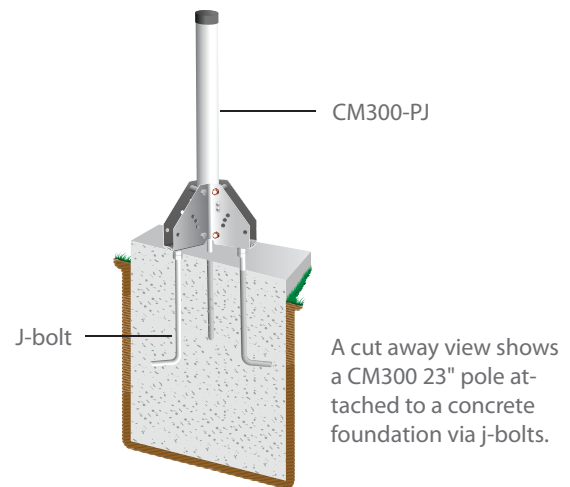
The 385 is mounted onto a CM310 pole via the CM240 mount. The CM310 pole is embedded directly in a concrete pad (-NP no pedestal base option).

Ordering Information Continued

Accessories	
260-953	Novalynx Alter-type Rain Gage Wind Screen, 36" legs.
CM240	Mounting/Leveling Base; typically mounted on a CM300-series mounting pole (see below).
Mounting Poles (choose a pedestal option; see below)	
CM300	23" Mounting Pole with Cap
CM305	47" Mounting Pole with Cap.
CM310	56" Mounting Pole with Cap
Pedestal Options for the Above Mounting Poles	
-NP	No Pedestal Base
-PJ	CM340 Pedestal J-Bolt Kit
-PS	CM350 Pedestal Short Legs (23" legs)
-PL	CM355 Pedestal Long Legs (39" legs)



The CM240 Leveling Base and Mount helps level the 385 Electrically Heated Rain and Snow Gage—ensuring more accurate measurements.



A cut away view shows a CM300 23" pole attached to a concrete foundation via j-bolts.

Specifications

Accuracy:	$\pm 0.5\%$ @ < 0.5" (1.25 cm)/hr rate $\pm 2.0\%$ @ < 3.0" (7.50 cm)/hr rate
Resolution:	0.01" per tip
Heating Element:	115 Vac (50/60 Hz) 300 W
Operating Ranges:	-20° to 50°C; 0 to 100% RH
Signal Cable:	2-conductor shielded cable; user-specified length in feet
Power Cable:	115 V power cable; user-specified length in feet
Orifice Diameter:	12" (30.5 cm)
Height:	19.5" (49.5 cm)
Weight:	11.2 lbs (5.1 kg) with 50' power and signal cable
Shipping Weight:	16.2 pounds (7.4 kg) with 50' power and signal cable



Order the CM310-PL to get a 56" mounting pole that is supported with three 39" legs.

