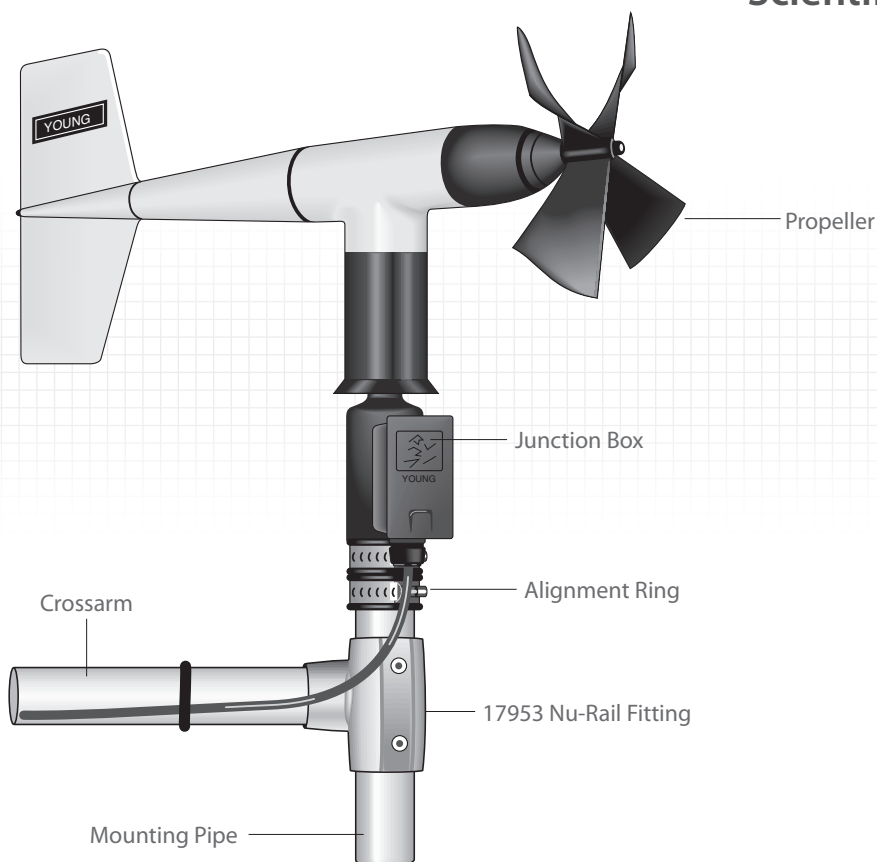


# Reliable, Accurate Wind Measurements

Compatible with all Campbell Scientific dataloggers



## Overview

The Wind Monitors\* are light-weight, sturdy instruments for measuring wind speed and direction in harsh environments. Their

simplicity and corrosion-resistant construction make them ideal for a wide range of wind measuring applications.

## Benefits and Features

- › Rugged enough for harsh environments
- › Constructed with thermoplastic material that resists corrosion from sea-air environments and atmospheric pollutants
- › Uses stainless-steel, precision-grade ball bearings for the propeller shaft and vertical shaft bearings (except for the 05108 and 05108-45 wind monitors that use an oversized ceramic bearing)
- › Ideal for wind profile studies
- › Compatible with the LLAC4 4-channel Low Level AC Conversion Module, which increases the number of anemometers one datalogger can measure

\*The Wind Monitors are manufactured by RM Young (Traverse City, MI) and cabled by Campbell Scientific for use with our dataloggers.



## Wind Speed

The wind speed sensor for all the Wind Monitors is a helicoid-shaped, four-blade propeller. Rotation of the propeller produces an ac sine wave that has a frequency directly proportional to wind speed. The ac signal is induced in a transducer coil by a six-

pole magnet mounted on the propeller shaft. The coil resides on the non-rotating central portion of the main mounting assembly, eliminating the need for slip rings and brushes.

## Wind Direction

All of the Wind Monitors use a potentiometer to measure wind direction. The datalogger applies a known precision excitation

voltage to the potentiometer element. The output is an analog voltage signal directly proportional to the azimuth angle.



05103 Wind Monitor



05108 Wind Monitor-HD



05108-45 Wind Monitor-HD-Alpine



05305 Wind Monitor-AQ

## Model Descriptions

### *05103 Wind Monitor*

The 05103 Wind Monitor is a sturdy instrument for measuring wind speed and direction in harsh environments. Its simplicity and corrosion-resistant construction make it ideal for a wide range of wind measuring applications.

### *05108 Wind Monitor-HD*

The 05108 Wind Monitor-HD (heavy duty) is designed to greatly extend its service life and improve its survivability in severe wind measurement applications. It has oversized ceramic bearings, oversized propeller shaft, high-pitch propeller, and locking propeller nut. The ceramic bearings have a significantly longer service life than the stainless-steel bearings and are more resistant to some types of corrosion.

### *05108-45 Wind Monitor-HD-Alpine*

The 05108-45 is a heavy-duty Wind Monitor designed specifically for harsh alpine conditions. To extend its service life and survive better in severe wind, the 05108-45 has oversized ceramic bearings, oversized propeller shaft, high pitch propeller, and locking propeller nut. To discourage ice buildup, the sensor's housing is black and covered with an ice-resistant coating.

### *05305 Wind Monitor-AQ*

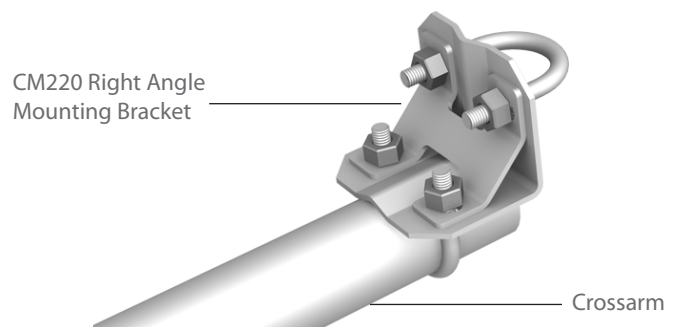
The 05305 Wind Monitor-AQ is a high performance wind speed and direction sensor designed specifically for air quality measurements. It provides a lower starting threshold, faster response, and higher accuracy than the other wind monitors. However, to achieve the superior performance, the 05305 is less ruggedly constructed.

The Wind Monitor-AQ meets or exceeds the requirements published by the following regulatory agencies:

- › **U.S. Environmental Protection Agency**—Ambient Monitoring Guidelines for Prevention of Significant Deterioration (PSD) and On-Site Meteorological Instrumentation Requirements to Characterize Diffusion from Point Sources
- › **U.S. Nuclear Regulatory Agency**—NRC Regulatory Guide 1.23 Meteorological Programs in Support of Nuclear Power Plants
- › **American Nuclear Society**—Standard for Determining Meteorological Information at Nuclear Power Plants

## Mounting

The Wind Monitors can be attached to a CM202, CM202SS, CM203, CM204, CM204SS, or CM206 crossarm via a 17953 Nu-Rail fitting or CM220 Right Angle Mounting Bracket. Alternatively, the Wind Monitors can be attached to the top of our stainless-steel tripods via the CM216 Sensor Mounting Kit. Please note that a lightning rod cannot be used when the CM216 attaches a Wind Monitor atop the tripod's mast. Therefore the CM216 is only recommended for mounting these sensors if the deployment is short term.



## Ordering Information

### Wind Monitors

*The Wind Monitors have user-specified cable lengths; enter the length, in feet, after the -L. Must choose a cable termination option (see below).*

- 05103-L** R. M. Young Wind Monitor
- 05108-L** R. M. Young Heavy-Duty Wind Monitor-HD
- 05108-45-L** R. M. Young Heavy-Duty Wind Monitor-HD, Alpine version
- 05305-L** Wind Monitor-AQ for air quality applications

### Cable Termination Options (choose one)

- PT** Cable terminates in stripped and tinned leads for direct connection to a datalogger's terminals.
- PW** Cable terminates in connector for attachment to a prewired enclosure.
- CWS** Cable terminates in a connector for attachment to a CWS900-series interface, which allows this sensor to be used in a wireless sensor network.
- C** Cable terminates in a connector for attachment to a CS110 Electric Field Meter or ET107 weather station.

### Mounts

- 17953** 1-inch- by-1-inch Nu-Rail Fitting for attaching the Wind Monitor to a CM202, CM202SS, CM203, CM204, CM204SS, or CM206 crossarm.
- CM220** Right Angle Mounting Bracket for attaching the Wind Monitor to a CM202, CM202SS, CM203, CM204, CM204SS, or CM206 crossarm.
- CM216** Sensor Mounting Kit for attaching sensor to atop a CM110, CM115, or CM120 stainless-steel tripod.

### Wind Profile Accessory

- LLAC4** 4-Channel Low-Level AC Conversion Module



An innovative method of discouraging interference from birds was used at a station at St. Peter and St. Paul Rocks (Brazil). Photo courtesy Dr. Silvia L. Garzoli (Director of the Physical Oceanography Division of the Atlantic Oceanographic and Meteorological Laboratory of NOAA).

### Cable Length Recommendations

Maximum	CM106B <sup>1,2</sup>	CM110 <sup>1,2</sup>	CM115 <sup>1,2</sup>	CM120 <sup>1,2</sup>	UT10 <sup>1</sup>	UT20 <sup>1</sup>	UT30 <sup>1</sup>
304.8 m (1000 ft)	4.2 m (14 ft)	4.2 m (14 ft)	5.8 m (19 ft)	7.3 m (24 ft)	4.2 m (14 ft)	7.3 m (24 ft)	11.3 m (37 ft)

1. The lengths assume the sensor is mounted atop the tripod/tower at the end of a 2 ft crossarm.
2. The lengths assume the enclosure is mounted to the tripod mast. If it is mounted to the leg base, add 0.6 m (2 ft) to the cable length.

# Specifications

	05103	05108	05108-45	05305
<b>Wind Speed</b>				
Range	0 to 100 m s <sup>-1</sup> (0 to 224 mph)		0 to 50 m s <sup>-1</sup> (0 to 112 mph)	
Accuracy	±0.3 m s <sup>-1</sup> (±0.6 mph) or 1% of reading		±0.2 m s <sup>-1</sup> (±0.4 mph) or 1% of reading	
Starting Threshold	1.0 m s <sup>-1</sup> (2.2 mph)		0.4 m s <sup>-1</sup> (0.9 mph)	
Distance Constant (63% recovery)	2.7 m (8.9 ft)		2.1 m (6.9 ft)	
Output	ac voltage (3 pulses per revolution); 1800 rpm (90 Hz) = 8.8 m s <sup>-1</sup> (19.7 mph)		ac voltage (3 pulses per revolution); 1800 rpm (90 Hz) = 9.2 m s <sup>-1</sup> (20.6 mph)	
Resolution	(0.0980 m s <sup>-1</sup> )/(scan rate in seconds) or (0.2192 mph)/(scan rate seconds)		(0.1024 m s <sup>-1</sup> )/(scan rate in seconds) or (0.2290 mph)/(scan rate in seconds)	
<b>Wind Direction</b>				
Range	0° to 360° mechanical, 355° electrical (5° open)			
Accuracy	±3°			
Starting Threshold	1.1 m s <sup>-1</sup> (2.4 mph) at 10° displacement	1.0 m s <sup>-1</sup> (2.2 mph) at 10° displacement		0.5 m s <sup>-1</sup> (1.0 mph) at 10° displacement
Distance Constant (50% recovery)	1.3 m (4.3 ft)		1.2 m (3.9 ft)	
Damping Ratio	0.3	0.25		0.45
Damped Natural Wavelength	7.4 m (24.3 ft)		4.9 m (16.1 ft)	
Undamped Natural Wavelength	7.2 m (23.6 ft)		4.4 m (14.4 ft)	
Output	analog dc voltage from potentiometer—resistance 10 kΩ; linearity 0.25%; life expectancy 50 million revolutions			
Power	switched excitation voltage supplied by datalogger			
<b>Physical</b>				
Operating Temperature Range	-50° to +50°C (assumes non-riming conditions)	-50° to +60°C (assumes non-riming conditions)		-50° to +50°C (assumes non-riming conditions)
Overall Height	37 cm (14.6 in)		40 cm (15.7 in)	38 cm (15 in)
Overall Length	55 cm (21.7 in)		57 cm (22.4 in)	65 cm (25.6 in)
Propeller Diameter	18 cm (7.1 in)		20 cm (7.9 in)	
Mounting Pipe Description	34 mm (1.34 in) outer diameter; standard 1.0 in IPS schedule 40			
Weight	1.5 kg (3.2 lb)	1.0 kg (2.2 lb)		1.1 kg (2.5 lb)

