

INSTRUCTION MANUAL



RF500M Radio Modem

Revision: 3/17



Copyright © 2008-2017
Campbell Scientific, Inc.

Limited Warranty

“Products manufactured by CSI are warranted by CSI to be free from defects in materials and workmanship under normal use and service for twelve months from the date of shipment unless otherwise specified in the corresponding product manual. (Product manuals are available for review online at www.campbellsci.com.) Products not manufactured by CSI, but that are resold by CSI, are warranted only to the limits extended by the original manufacturer. Batteries, fine-wire thermocouples, desiccant, and other consumables have no warranty. CSI’s obligation under this warranty is limited to repairing or replacing (at CSI’s option) defective Products, which shall be the sole and exclusive remedy under this warranty. The Customer assumes all costs of removing, reinstalling, and shipping defective Products to CSI. CSI will return such Products by surface carrier prepaid within the continental United States of America. To all other locations, CSI will return such Products best way CIP (port of entry) per Incoterms ® 2010. This warranty shall not apply to any Products which have been subjected to modification, misuse, neglect, improper service, accidents of nature, or shipping damage. This warranty is in lieu of all other warranties, expressed or implied. The warranty for installation services performed by CSI such as programming to customer specifications, electrical connections to Products manufactured by CSI, and Product specific training, is part of CSI’s product warranty. **CSI EXPRESSLY DISCLAIMS AND EXCLUDES ANY IMPLIED WARRANTIES OF MERCHANTABILITY OR FITNESS FOR A PARTICULAR PURPOSE. CSI hereby disclaims, to the fullest extent allowed by applicable law, any and all warranties and conditions with respect to the Products, whether express, implied or statutory, other than those expressly provided herein.”**

Assistance

Products may not be returned without prior authorization. The following contact information is for US and international customers residing in countries served by Campbell Scientific, Inc. directly. Affiliate companies handle repairs for customers within their territories. Please visit www.campbellsci.com to determine which Campbell Scientific company serves your country.

To obtain a Returned Materials Authorization (RMA), contact CAMPBELL SCIENTIFIC, INC., phone (435) 227-9000. Please write the issued RMA number clearly on the outside of the shipping container. Campbell Scientific's shipping address is:

CAMPBELL SCIENTIFIC, INC.

RMA# _____
815 West 1800 North
Logan, Utah 84321-1784

For all returns, the customer must fill out a "Statement of Product Cleanliness and Decontamination" form and comply with the requirements specified in it. The form is available from our website at www.campbellsci.com/repair. A completed form must be either emailed to repair@campbellsci.com or faxed to (435) 227-9106. Campbell Scientific is unable to process any returns until we receive this form. If the form is not received within three days of product receipt or is incomplete, the product will be returned to the customer at the customer's expense. Campbell Scientific reserves the right to refuse service on products that were exposed to contaminants that may cause health or safety concerns for our employees.

Safety

DANGER — MANY HAZARDS ARE ASSOCIATED WITH INSTALLING, USING, MAINTAINING, AND WORKING ON OR AROUND TRIPODS, TOWERS, AND ANY ATTACHMENTS TO TRIPODS AND TOWERS SUCH AS SENSORS, CROSSARMS, ENCLOSURES, ANTENNAS, ETC. FAILURE TO PROPERLY AND COMPLETELY ASSEMBLE, INSTALL, OPERATE, USE, AND MAINTAIN TRIPODS, TOWERS, AND ATTACHMENTS, AND FAILURE TO HEED WARNINGS, INCREASES THE RISK OF DEATH, ACCIDENT, SERIOUS INJURY, PROPERTY DAMAGE, AND PRODUCT FAILURE. TAKE ALL REASONABLE PRECAUTIONS TO AVOID THESE HAZARDS. CHECK WITH YOUR ORGANIZATION'S SAFETY COORDINATOR (OR POLICY) FOR PROCEDURES AND REQUIRED PROTECTIVE EQUIPMENT PRIOR TO PERFORMING ANY WORK.

Use tripods, towers, and attachments to tripods and towers only for purposes for which they are designed. Do not exceed design limits. Be familiar and comply with all instructions provided in product manuals. Manuals are available at www.campbellsci.com or by telephoning (435) 227-9000 (USA). You are responsible for conformance with governing codes and regulations, including safety regulations, and the integrity and location of structures or land to which towers, tripods, and any attachments are attached. Installation sites should be evaluated and approved by a qualified engineer. If questions or concerns arise regarding installation, use, or maintenance of tripods, towers, attachments, or electrical connections, consult with a licensed and qualified engineer or electrician.

General

- Prior to performing site or installation work, obtain required approvals and permits. Comply with all governing structure-height regulations, such as those of the FAA in the USA.
- Use only qualified personnel for installation, use, and maintenance of tripods and towers, and any attachments to tripods and towers. The use of licensed and qualified contractors is highly recommended.
- Read all applicable instructions carefully and understand procedures thoroughly before beginning work.
- Wear a **hardhat** and **eye protection**, and take **other appropriate safety precautions** while working on or around tripods and towers.
- **Do not climb** tripods or towers at any time, and prohibit climbing by other persons. Take reasonable precautions to secure tripod and tower sites from trespassers.
- Use only manufacturer recommended parts, materials, and tools.

Utility and Electrical

- **You can be killed** or sustain serious bodily injury if the tripod, tower, or attachments you are installing, constructing, using, or maintaining, or a tool, stake, or anchor, come in **contact with overhead or underground utility lines**.
- Maintain a distance of at least one-and-one-half times structure height, 20 feet, or the distance required by applicable law, **whichever is greater**, between overhead utility lines and the structure (tripod, tower, attachments, or tools).
- Prior to performing site or installation work, inform all utility companies and have all underground utilities marked.
- Comply with all electrical codes. Electrical equipment and related grounding devices should be installed by a licensed and qualified electrician.

Elevated Work and Weather

- Exercise extreme caution when performing elevated work.
- Use appropriate equipment and safety practices.
- During installation and maintenance, keep tower and tripod sites clear of un-trained or non-essential personnel. Take precautions to prevent elevated tools and objects from dropping.
- Do not perform any work in inclement weather, including wind, rain, snow, lightning, etc.

Maintenance

- Periodically (at least yearly) check for wear and damage, including corrosion, stress cracks, frayed cables, loose cable clamps, cable tightness, etc. and take necessary corrective actions.
- Periodically (at least yearly) check electrical ground connections.

WHILE EVERY ATTEMPT IS MADE TO EMBODY THE HIGHEST DEGREE OF SAFETY IN ALL CAMPBELL SCIENTIFIC PRODUCTS, THE CUSTOMER ASSUMES ALL RISK FROM ANY INJURY RESULTING FROM IMPROPER INSTALLATION, USE, OR MAINTENANCE OF TRIPODS, TOWERS, OR ATTACHMENTS TO TRIPODS AND TOWERS SUCH AS SENSORS, CROSSARMS, ENCLOSURES, ANTENNAS, ETC.

Table of Contents

PDF viewers: These page numbers refer to the printed version of this document. Use the PDF reader bookmarks tab for links to specific sections.

1. General Radiotelemetry Network.....	1
1.1 Introduction.....	1
1.2 Field Station.....	1
1.3 Base Station.....	2
1.4 Repeater.....	2
2. Radiotelemetry Network Components.....	2
2.1 RF500M Modem.....	2
2.1.1 Physical Description.....	2
2.1.1.1 Specifications.....	3
2.1.2 RF500M States.....	4
2.1.3 Setting the RF Address.....	4
2.1.4 RF500M Modem Lights.....	4
2.1.5 RF500M Connections.....	4
2.1.6 RF500M Operating Systems.....	5
2.2 RF500M Compatible Radios.....	6
2.2.1 Analog Radio Description.....	6
2.2.2 Digital Radio Description.....	8
2.3 Antennas and Cables.....	8
2.3.1 Antenna Mounts.....	8
2.3.2 Antenna Orientation.....	8
2.3.3 Antenna Cables and Connectors.....	9
2.4 Tripods, Towers, Enclosures, and Power Supplies.....	10
2.4.1 Tripods and Towers for Mounting.....	10
2.4.2 Enclosures.....	10
2.4.3 Power Supply.....	11
2.4.3.1 Lead Acid Batteries.....	11
3. Assembling the Radiotelemetry Network.....	11
3.1 Final Layout.....	11
3.2 Configure the RF500M.....	11
3.2.1 Device Configuration Utility (DevConfig).....	11
3.2.2 Install Base Station.....	14
3.2.3 Install Nearest Repeater/Field Station.....	14
3.3 LoggerNet Setup.....	15
3.4 Test the Radiotelemetry Link.....	15
3.4.1 A Successful Test.....	16
3.4.2 An Unsuccessful Test.....	16
3.5 Troubleshooting Unsuccessful Communication Attempts.....	16
3.5.1 Troubleshooting the Physical Link Between Base and Field Station.....	16
4. Operation of the Radiotelemetry Network.....	16
4.1 Monitoring and Collecting Data with LoggerNet.....	17

4.1.1	Basic Concepts	17
4.1.2	Using the LoggerNet Setup Screen	17
4.1.3	Automated Data Collection with LoggerNet.....	18
4.1.4	General Communication – LoggerNet Connect Screen	19
4.2	Datalogger-Initiated Communications	19
4.2.1	– One Way Data – RF500M Network.....	20

Appendices

A. Fundamentals of Radiotelemetry..... A-1

A.1	Radio Waves	A-1
A.2	Antennas.....	A-2
A.3	RF500M Modem.....	A-2
A.4	Transceiver.....	A-3

B. Power Calculations B-1

C. Glossary..... C-1

Figures

2-1.	RF500M Modem.....	3
2-2.	RF500M Radio Jumper Location*	7
2-3.	RF500M Radio Jumper Expanded View.....	7
2-4.	The PD237 Crossover Plate Antenna Mount	8
2-5.	The PD46 Clamp Mount	9
2-6.	Type-NM (male), BNC, and Type-NF (female) Connectors.....	9
4-1.	LoggerNet Main Tool Bar	17
4-2.	LoggerNet Setup Screen – Schedule Tab	18
4-3.	LoggerNet Connect Screen	19

Tables

2-1.	RF500M CS I/O to Datalogger Connector Description	5
2-2.	RF500M Transceiver Connector Description.....	5
2-3.	Common Antennas and Characteristics.....	10

RF500M Radio Modem

1. General Radiotelemetry Network

1.1 Introduction

Data retrieval from a remote site can be difficult. One method to accomplish data collection from isolated sites is through a radio telemetry (RF telemetry) network. Dataloggers can be accessed by RF telemetry, which requires no physical connection from the computer to the datalogger. The RF telemetry link reduces the number of visits to a remote site for data collection.

The RF telemetry network is designed for complete computer control. *LoggerNet* software allows data collection from the datalogger, transmitting datalogger programs, and displaying current readings from the datalogger.

The requirements specific to a RF telemetry network include:

- The distance between radio stations should not be greater than approximately 25 miles.
- The stations should not have major obstacles between them; therefore, they should be within line-of-sight of each other.

Telemetry network's three basic components are:

- Field Station
- Base Station
- Repeater Station

This manual covers the use of the RF500M Modem. Some *LoggerNet* software topics are also addressed.

1.2 Field Station

Purpose: The field station is where the measurements are made. The Campbell Scientific datalogger resides at this station taking the desired measurements. Any field station can also operate as a repeater. The only requirement is that the station's antenna must be able to communicate in all desired directions. This may require an omnidirectional antenna.

Equipment Required:

- Radio
- RF Modem
- Antenna and antenna cable
- Datalogger
- Power supply, enclosure, sensors, and mounting needs

1.3 Base Station

Purpose: A base station utilizes a computer to collect data from the field station(s). Normally, all communication to the field stations originate at the base station. Data retrieval, remote programming, and system analysis can all be done from the base station.

Equipment Required:

- Radio
- RF Base Station
- Computer with *LoggerNet* software
- Antenna and antenna cable
- AC power

1.4 Repeater

Purpose: To act as relay between two communicating stations separated by too long of a distance or an obstacle which impedes direct communication. A repeater is not always required in an RF telemetry network. A field station can also function as a repeater.

Equipment Required:

- Radio
- RF Modem
- Antenna and antenna cable
- Power supply, enclosure and other mounting needs

2. Radiotelemetry Network Components

2.1 RF500M Modem

The RF500M is an interface between the computer and the radio when used at a base station, and an interface between the radio and the datalogger at a field station. In a repeater station, the RF500M is an interface between two other communication stations. The RF500M is an RF modem. *LoggerNet* will refer to the RF500M as an RFBBase-TD or RFRemote-PB.

2.1.1 Physical Description

There are three ports for interfacing external devices on the front of the RF500M. The port labeled **Transceiver** connects to the radio (RF320 series, RF310 series, RF300 series, or DataRadio DL-3400), the port labeled **CS I/O** connects to either the datalogger or to the PC as an RF Base, and the port labeled **RS-232** connects to an RS-232 radio or the PC as an RF Base.



FIGURE 2-1. RF500M Modem

The light located between the **Transceiver** port and the **RS-232** port is used primarily to indicate when the radio is transmitting and receiving by blinking red and green. The light located between the **RS-232** and **CS I/O** ports is used primarily to indicate when data is transmitted between the datalogger and RF500M modem by blinking red and green.

2.1.1.1 Specifications

Power

Voltage: 7 to 20 Vdc (can be provided by the CS I/O port)

Current: Active: <8 mA RMS @ 12 Vdc

Transceiver Audio Output (pin 5)

J1 Jumper Configuration: 310 mV peak-to-peak*

J3 Jumper Configuration: 670 mV peak-to-peak

See Section 2.2.1, *Analog Radio Description* (p. 6), for jumper configurations.

*Note that Campbell Scientific adjusts the audio input gain such that it is compatible with J1.

Physical

Dimensions: 160 x 95 x 22 mm (6 5/16 x 3 11/16 x 7/8 in)

Weight: 0.18 kg (0.4 lb)

2.1.2 RF500M States

The RF500M modem can operate in several different states depending on the configuration applied using *Device Configuration Utility (DevConfig)*. The RF500M **CS I/O** port can be used in either the datalogger communication SDC (Synchronous Device Communication) state with SDC address 7, 8, 10, or 11 or in the PC to RF base state. The **RS-232** port can be used in either the PC to RF base state, the RS-232 digital radio connection state, or the RF500M to datalogger state. The proper state must be determined and configured before deploying the RF500M in the field. *DevConfig* is used to change and apply the settings for the RF500M.

2.1.3 Setting the RF Address

Each RF500M, including the one used as the RF base, must have a unique Modem RF Address or RF ID. The Modem RF Address is similar to a phone number. This unique identifier allows the base station to communicate with a specific field station.

The **Modem RF Address** can be any number from 1 to 255 and is set using *DevConfig*. The RF500M is shipped with a default **Modem RF Address** of 1.

NOTE

When using a phone to RF configuration, the RF500M **Modem RF Address** must be set to 255.

2.1.4 RF500M Modem Lights

The two lights on the front panel of the RF500M have several purposes. The primary function of the lights is to indicate when data is being received or transmitted from both the radio and the datalogger.

The lights can also be used to verify the appropriate power up sequence of the RF500M. View the indicator lights while applying power with the power adapter or connecting the datalogger to the RF500M **CS I/O** port with an SC12 cable. The sequence of the lights flashing after connection indicates the power up self-test status. Both lights should cycle through a combination of colors and then turn off to indicate the RF500M has powered up correctly and is ready for operation.

2.1.5 RF500M Connections

The **CS I/O** port is normally used to connect the RF500M to the datalogger with an SC12 cable. TABLE 2-1 describes the 9-pin connections. A null modem cable with female end connectors (pn 13657) is used to connect the **RS-232** port of the RF500M to the PC. The 10-pin **Transceiver** connector is for connection to the transceiver interface. TABLE 2-2 describes the connections.

TABLE 2-1. RF500M CS I/O to Datalogger Connector Description	
Pin	Description
1	+5 V: Not Used
2	GND: Ground
3	Ring: Ring to Datalogger
4	RXD: Transmit from RF500M
5	ME: Modem Enable from Datalogger
6	SDE: Synchronous Device Enable
7	CLK/HS: Clock/Handshake from Datalogger
8	+12V: Supply from External Source
9	TXD: Received by RF500M

TABLE 2-2. RF500M Transceiver Connector Description	
1	Data Receive (Input)
2	Ground
3	Frequency Select
4	Ground
5	Data Transmit (Output)
6	Ground
7	Ground
8	Sleep
9	Push to Talk (PTT)
10	Ground

2.1.6 RF500M Operating Systems

Three different operating systems are available for the RF500M:

- –PB PakBus OS (Standard): This operating system is used for the standard TD-RF behavior as described in this manual.
- –AL ALERT OS: This operating system allows for transmission, repeating, and reception of binary ALERT formatted data. Additionally, it is a derivative of the –PB OS, and therefore supports both ALERT and TD-RF communications (allowing true two-way communication with a station).
- –DA Dial OS: This operating system uses a dial string instead of TD-RF protocol to access other radios in the network. While it can be

used on current dataloggers, it is less efficient and typically only used with older array-based (non-PakBus) dataloggers.

Contact Campbell Scientific for information on using the –AL or –DA operating system.

2.2 RF500M Compatible Radios

2.2.1 Analog Radio Description

The RF500M is compatible with the following analog radios: RF320 series, RF310 series, RF300 series, and unmodified DataRadio DL-3400 radios.

The radios are connected to the RF modem by a special radio cable. The 9-pin connector has a red and black wire coming out of the connector. The 9-pin connector should be connected to the radio. The red and black power wires should be connected to 12V and Ground respectfully. The 10-pin connector should be connected to the RF modem **Transceiver** port.

An internal jumper should be set according to the radio model attached to the **Transceiver** port. The jumper is set by the factory at the time of order, but can be changed by the user if needed. The jumper is used to select one of three audio circuits used to feed the radio's input. There is a set of six pins in series located just under the Campbell Scientific, Inc. name and circuit board version number etched on the board. When looking at the front panel with the three ports, the jumpers that need to be set are located in the back, right corner of the circuit board. The two pins next to the edge of the circuit board (J1) should be selected if using the RF310-series or RF320-series radios. The two pins in the center (J2) should be selected if using the RF300-series radios. The two pins on the inside of the board (J3) should be selected if using an unmodified DataRadio DL-3400 radio.

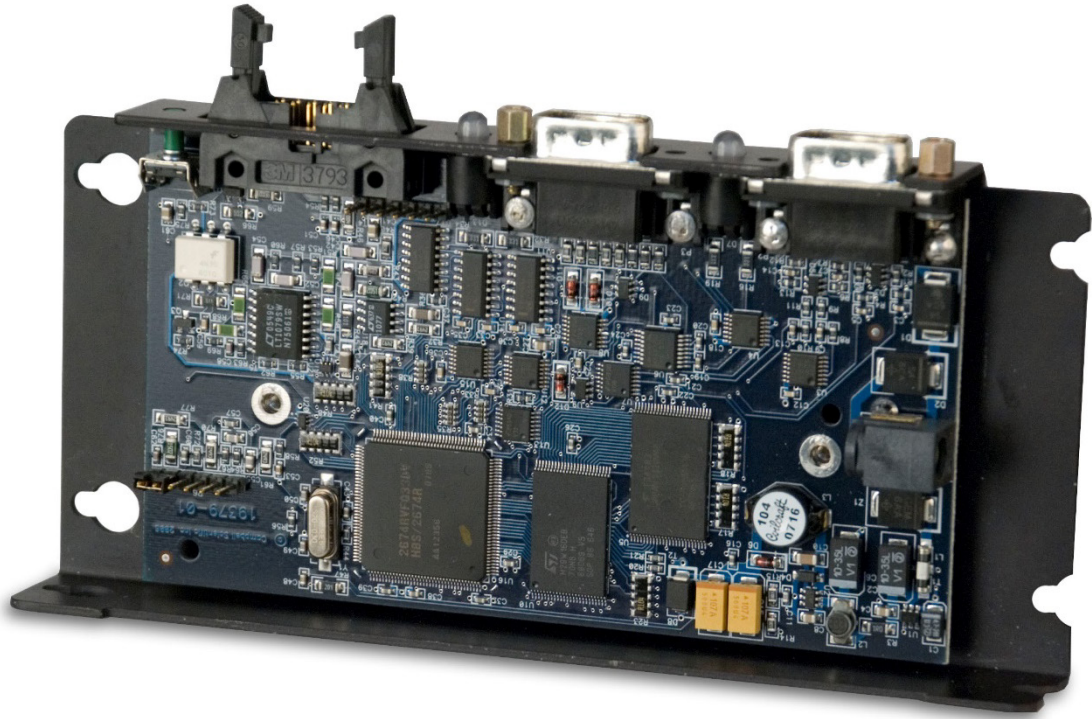


FIGURE 2-2. RF500M Radio Jumper Location*

*Six pins are used to create three jumper settings. They are located in the bottom left corner of the photo.

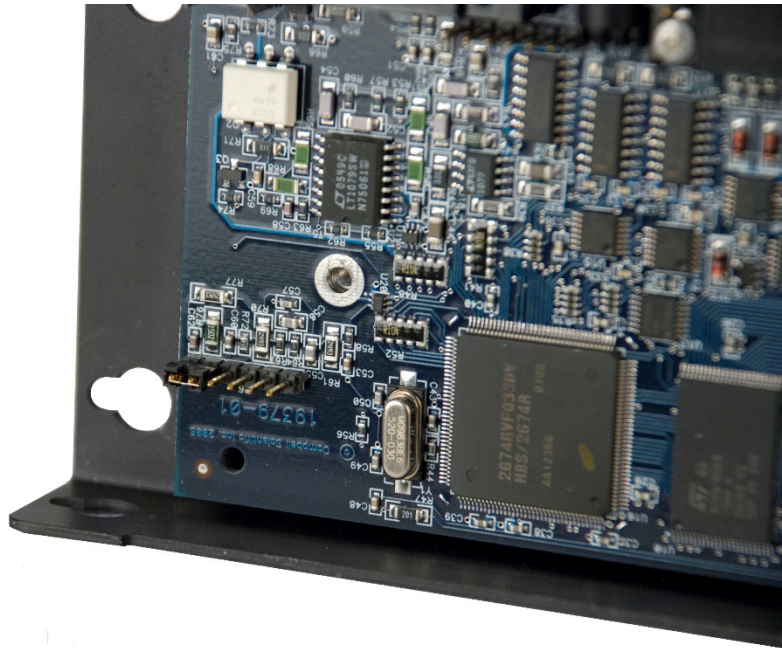


FIGURE 2-3. RF500M Radio Jumper Expanded View

2.2.2 Digital Radio Description

The RF500M is compatible with digital RS-232 radios such as the DataRadio Integra radio.

The digital radios are connected to the RF500M modem with a serial cable between **RS-232** ports. Use *DevConfig* to configure the RS-232 connection options in the RF500M to work with the digital radio.

2.3 Antennas and Cables

Antennas radiate and receive the radio signals. Each radio in an RF telemetry system must have an antenna. Coaxial cable is used to connect the antenna to the radio.

2.3.1 Antenna Mounts

Antennas must be mounted above any surrounding buildings or obstacles. Antennas must be properly oriented in relationship to the other antennas for RF communications to work. Antennas have various mounting options. Specific questions regarding antennas can be directed to Campbell Scientific.

2.3.2 Antenna Orientation

Antennas must be oriented correctly to allow communication between RF sites. First determine if your antenna is omnidirectional or unidirectional.

An omnidirectional antenna will transmit/ receive in a full 360-degree circle. Generally, an omnidirectional antenna will be a straight cylindrical rod which is to be mounted vertically at the top of a tripod.

A unidirectional antenna is designed to transmit/receive in a particular direction, or in a specified sector. There are various shapes of unidirectional antennas. The most common is the Yagi antenna. The elements of a Yagi antenna can be mounted either vertically or horizontally, corresponding to either vertical or horizontal polarization.

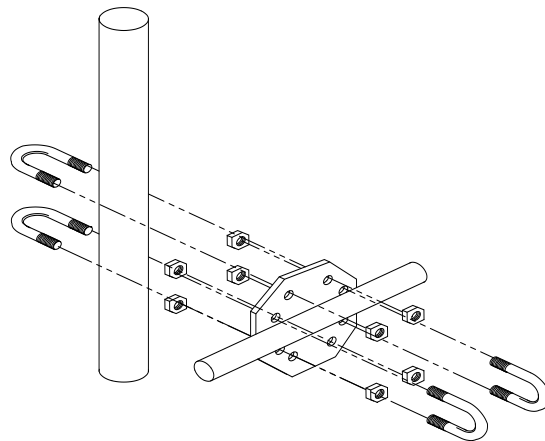


FIGURE 2-4. The PD237 Crossover Plate Antenna Mount

Normally, all antennas will be mounted with vertical polarization. Whichever polarization is used, be sure to keep antennas at all sites identically polarized.

2.3.3 Antenna Cables and Connectors

The most common cable type to connect a radio to the antenna is a coaxial RG-8A/U cable. Two connectors are required for each length of cable. The connector for the radio is a BNC type connector. The connector for the antenna is usually either a Type-NM or Type-NF. The BNC, Type-NM, and Type-NF connectors are shown in FIGURE 2-6. The Type-NM (male) connector is for antennas with a female receptacle, and Type-NF (female) for antennas with male receptacles.

A Campbell Scientific antenna cable complete with connectors is specified as either COAX NM-L or COAX NF-L. COAX NF-L is a coaxial RG-8A/U cable with a BNC connector on one end and a Type-NF connector on the other. See TABLE 2-3 for cable requirements for common antennas.

Due to power loss through the cable, the length of coax cable cannot be extended to any desired length. The amount of power loss is dependent on the radio frequency. RG-8A/U will lose approximately 3.1 dB/100 ft. at 200 MHz and 5.0 dB/100 ft. at 400 MHz. Power loss calculations are reviewed in Appendix B, *Power Calculations* (p. B-1).

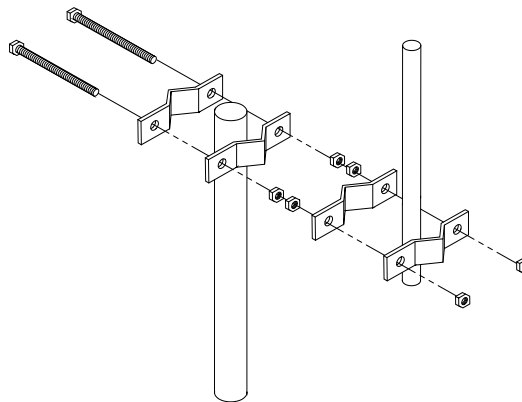


FIGURE 2-5. The PD46 Clamp Mount

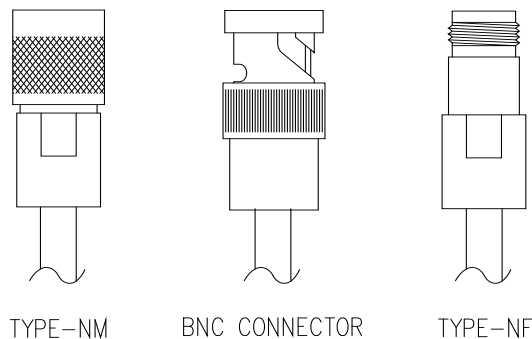


FIGURE 2-6. Type-NM (male), BNC, and Type-NF (female) Connectors

TABLE 2-3. Common Antennas and Characteristics

Antenna	Type	VHF or UHF	Cable	Gain(dB)	Pipe O.D.	Mounting Type
BA1010	Omni	VHF	Coax NM-L	Unity	3/4 in – 2 1/8 in	U-Bolts
BA1012	Omni	VHF	Coax NM-L	Unity	1 in – 2 1/4 in	U-Bolts
BA1312	Omni	VHF	Coax NM-L	3.0	1 in – 2 1/4 in	U-Bolts
BA6012	Omni	UHF	Coax NM-L	Unity	1 in – 2 1/4 in	U-Bolts
BA6110	Omni	UHF	Coax NM-L	Unity	3/4 in – 2 1/8 in	U-Bolts
BA6312	Omni	UHF	Coax NM-L	3.0	1 in – 2 1/4 in	U-Bolts
PD200	Omni	VHF	Coax NF-L	5.8	1 in – 2 3/4 in	PD46 (FIGURE 2-5)
PD201	Omni	UHF	Coax NF-L	5.0	1 in – 2 3/4 in	PD46 (FIGURE 2-5)
PD220	Omni	VHF	Coax NF-L	5.25	1 in – 2 3/4 in	PD46 (FIGURE 2-5)
PD344	Dipole	VHF	Coax NF-L	4.5	2 1/2 in	Clamps
PD390S	Yagi	VHF	Coax NF-L	8.0	1 5/16, 2 1/4, or 2 3/8 in	PD37 (FIGURE 2-4)
PD400	Omni	VHF	Coax NM-L	7.5	1 in – 2 3/4 in	PD46 (FIGURE 2-5)
PD688S	Yagi	UHF	Coax NF-L	10.0	1 5/16 in – 2 1/4 in	U-Bolts
PD1107	Omni	VHF	Coax NF-L	3.0	1 in – 2 3/4 in	PD46 (FIGURE 2-5)
PD1121	Dipole	VHF	Coax NF-L	3.0	2 1/2 in	Clamps

2.4 Tripods, Towers, Enclosures, and Power Supplies

There are several methods of mounting and housing sensors and other equipment for a station.

2.4.1 Tripods and Towers for Mounting

For the different mounting requirements, Campbell Scientific offers many styles and sizes of tripods and towers. All mounting options available from Campbell Scientific are rugged instrument mounts that provide sturdy support for Campbell Scientific sensors, enclosures, and measurement electronics.

2.4.2 Enclosures

Enclosures are needed to keep water and debris from damaging the data acquisition equipment. Campbell Scientific enclosures are designated as “raintight,” and are designed to mount to a tripod or tower.

The fiberglass enclosures are classified as NEMA 4X (watertight, dust-tight, corrosion-resistant, indoor and outdoor use). A 1.25-inch diameter entry/exit port is located at the bottom of the enclosure for routing cables and wires. The enclosure door can be fastened with the clasp for easy access. The enclosure’s clasp door can be secured with a basic lock. Both enclosures are white for reflecting solar radiation, reducing the internal temperature.

The model ENC12/14 fiberglass enclosure has inside dimensions of 14 x 12 x 5.5 inches, the model ENC14/16 fiberglass enclosure has inside dimensions of 14 x 16 x 5.5 inches and the model ENC16/18 fiberglass enclosure has inside dimensions of 16 x 18 x 8.5 inches.

2.4.3 Power Supply

A radiotelemetry network requires a reliable power supply at each station. A solar panel or 110/220 VAC charging source is normally required due to the large current drain of the radio.

2.4.3.1 Lead Acid Batteries

Lead acid batteries are designed to be float charged by a solar panel or AC power source. The role of the lead acid battery is to supply power when the charging source is absent, e.g., in case of power failures (AC charging), or during times of zero charge with a solar panel. Generally, we recommend a minimum of 7 Amp-hour batteries for RF applications.

3. Assembling the Radiotelemetry Network

This section provides a logical order for RF network assembly and deployment. Details of specific components in the system are described in Section 2, *Radiotelemetry Network Components* (p. 2). Section 2 is cross-referenced throughout this assembly section.

3.1 Final Layout

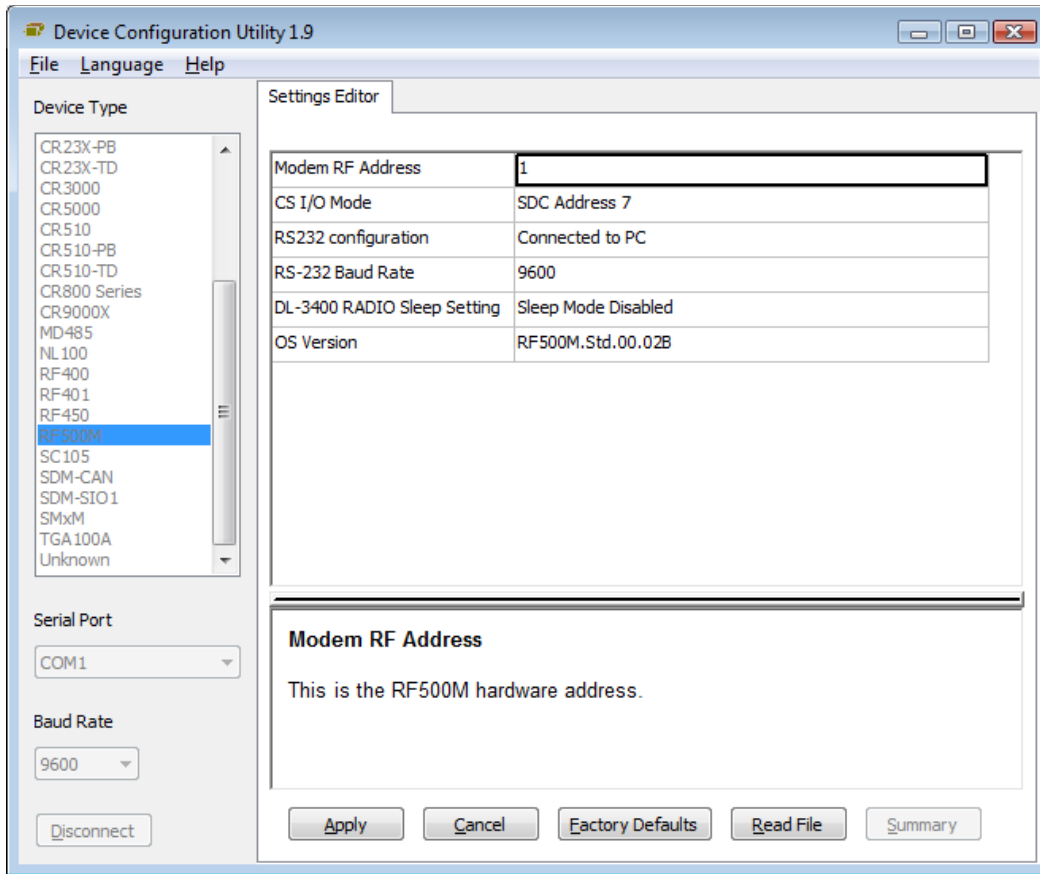
The initial locations of the base, field, and repeater stations have likely been determined already. Locate RF stations on an area map, preferably a topographic map. Draw a line along every communication path. Each field station must have a path connecting it back to the base station. No path can be going through a mountain or large obstacle; this would negate the line-of-sight requirement. A station may need to be moved or a repeater station may need to be added if this requirement is not met.

At each station there is an RF modem. Each modem requires a unique ID number (Modem RF Address). A valid Modem RF Address is a number with the range of 1 to 255. On the map, label the base station and the remaining stations with different ID numbers. Later, each modem will be set with the corresponding ID number. The Modem RF Address, similar to a phone number, allows the base station to call many different field stations.

3.2 Configure the RF500M

3.2.1 Device Configuration Utility (DevConfig)

Device Configuration Utility (DevConfig) software is used to configure the RF500M modem. *DevConfig* is included with *LoggerNet* or it can be downloaded for free from the Campbell Scientific website (www.campbellsci.com). The configuration options can be seen in the following figure:



To configure the RF500M, apply power to the modem, wait for the power-up sequence lights to cycle and then turn off, connect the PC to the RF500M **RS-232** port with a null modem cable, open *DevConfig*, highlight the **RF500M** option in the **Device Type** list, and click **Connect**. Press the green **Setup** button on the RF500M either before or while connected to enable the settings in *DevConfig*.

There are six configuration options for the RF500M

1. **Modem RF Address**

Enter an RF address from 1 to 255 in this setting. Every modem in the network must have a unique **Modem RF Address**.

2. **Base Modem RF Address**

Enter the address of the only base modem that this modem will be allowed to communicate with.

Entering an address of 1-254 into this field will constrain this modem to respond only to broadcast polling events or other transactions received from a base modem with an address equal to this specified **Base Modem Address**. This will prevent undesired ‘crosstalk’ in the case where an adjacent network operating on the same frequency has overlapping coverage and contains a modem configured with the same **Modem RF Address** as this modem.

Starting with RF500M.Std.04, entering an address of 255 (factory default) into this field will enable unconstrained communications; this modem will respond to any qualified polling event or packet addressed to it.

In the special case where this modem is to function as the base modem in a network, this field must be set to either this modem's **Modem RF Address** or to 255.

3. CS I/O Mode

Specifies the communications interface used on the **CS I/O** port.

- **SDC Address 7:** The RF500M will use SDC 7 to communicate with the datalogger.
- **SDC Address 8:** The RF500M will use SDC 8 to communicate with the datalogger
- **SDC Address 10:** The RF500M will use SDC 10 to communicate with the datalogger
- **SDC Address 11:** The RF500M will use SDC 11 to communicate with the datalogger
- **Connected to –TD logger or PC via SC532A:** The RF500M is connected to a –TD datalogger (e.g., CR510-TD, CR10X-TD, or CR23X-TD), or it is serving as an RFBBase-TD base while connected to a PC via a SC532A. When serving as a RFBBase, this setting is generally only used when a digital radio is attached to the **RS-232** port.

4. RS-232 Configuration

Specifies the operational mode for the **RS-232** port.

- **Connected to PC:** RF500M is serving as an RFBBase-TD, and it is connected to a PC via a null modem serial cable.
- **Digital Radio -- Data Operated TX:** RF500M will transmit packets to the **RS-232** port without hardware flow control. Select this if the RF500M will a) only have an analog radio connected to the **Transceiver** port, b) will use a digital radio connected to the **RS-232** port, or c) will be connected to another RF500M **RS-232** port via null modem serial cable.
- **Digital Radio use RTS TX control:** RF500M will set the RTS line high when packets are transmitted to the **RS-232** port. Select this if the device connected to the RF500M **RS-232** port requires RTS to be held high while transmitting. Generally, this would be a digital radio that requires RTS for hardware flow control or for control of a sleep-mode-enable input.
- **PakBus Datalogger:** **RS-232** port will be connected directly to a PakBus datalogger. For example, if using the RF500M with a CR200(X)-series datalogger, select this mode and connect the RF500M **RS-232** port to the CR200(X)-series datalogger **RS-232** port using a serial cable.

NOTES

If set to **PakBus Datalogger**, this modem cannot serve as a repeater; it can only serve as an end/leaf node.

This modem can only serve as a repeater in a network if the **RS-232** port is configured using one of the digital radio options.

5. RS-232 Baud Rate

Specifies the baud rate that will be used on the **RS-232** port.

6. DL-3400 Radio Sleep Setting

Specifies whether sleep mode for the DL-3400 is controlled by the RF500M.

3.2.2 Install Base Station

When the RF500M is used in a base station configuration, the PC is attached to the **RS-232** port with a null modem cable. If a digital radio is being used on the **RS-232** port, the **CS I/O** port can be configured to communicate with the PC but an SC532(A) and serial cable must be used between the PC and the **CS I/O** port of the RF500M.

1. Connect the RF500M to 12 V and ground. Connect the radio to 12 V, ground, and the RF Modem (RF500M).

CAUTION

Radio transmission without an antenna connected can damage the radio.

2. Mount the base station antenna in a location that is higher than any surrounding buildings or obstacles. Refer to Section 2.3, *Antennas and Cables (p. 8)*, for more information on mounting the antenna.
3. After the antenna is mounted, connect the coax cable between the antenna and radio.
4. Connect a large gauge (approximately 8 AWG) copper wire from the antenna to a good earth ground. This is for lightning protection. This is required for any antenna, especially if the coax cable from the antenna goes inside a building.
5. Connect a null modem cable from the computer serial port to the **RS-232** port of the RF500M. If a digital radio is being used on the **RS-232** port, an SC532 and serial cable can be used between the PC and the **CS I/O** port of the RF500M. Set the appropriate configuration options in the RF500M with *DevConfig* depending on the port connected to the PC.

3.2.3 Install Nearest Repeater/Field Station

Now install the nearest field station. If it communicates with the base station via a repeater, the repeater station must also be installed. Make sure the correct **Modem RF Address** has been configured in the RF500M that is being deployed in the remote field station or repeater location.

Following is the order in which a general RF field station should be installed. A repeater station is installed in the same order.

1. Tripod or tower
2. Enclosure and datalogger
3. Antenna – Orient correctly; remember direction and polarization
4. Solar Panel
5. Power Supply
6. Sensors
7. RF Modem – Configure the **Modem RF Address** according to the site map
8. Radio – Make sure to connect to RF Modem, to power supply, and turn on power supply

3.3 *LoggerNet* Setup

LoggerNet refers to the RF500M as either “RFBase-TD” or “RFRemote-PB” depending on whether the RF500M is used in an RF base configuration or as an RF remote or repeater site.

The *Setup* screen in *LoggerNet* is used to create a device map, which contains the RF path information. This information includes the Modem RF Address, communication path and conditions for calling a particular field station.

Basic steps required to set up an RF link in *LoggerNet* using the *Setup* screen include:

- 1) Select appropriate communications port (**COM Port**)
- 2) Attach an **RFBase-TD** to **COM Port**
- 3) Attach an **RFRemote-PB** to the **RFBase-TD**
- 4) Attach the PakBus datalogger to the **RFRemote-PB**.

The default COM port settings should not be changed. The RF Base default settings do not need to be changed. The RF Remote default settings do not need to be changed other than specifying the appropriate **Modem RF Address**. The default datalogger settings do not need changing except for specifying the appropriate PakBus address.

3.4 Test the Radiotelemetry Link

With the field station installed, return to the base station for initial testing of the communication link. An RF link can also be tested at the field site with a portable base station; hardware requirements for the portable base station are described in Appendix B, *Power Calculations* (p. B-1).

Testing begins with turning on the RF base. A quick check of connections is in order. Start *LoggerNet* and open the *TroubleShooter* client. Access the *TD-RF Test* client from the *TroubleShooter* to begin testing the RF link. Make sure to pick the **Selection Type** of **Test Selected RFRemote-TD/PB Remote** then highlight the RF remote to test. Click **Start Test** and wait for the test results.

After a successful RF link test, the next step is to attempt communication with the datalogger over the RF link. From the *TroubleShooter* client choose the *Comm Test* client. Highlight the datalogger to test and click on the **Test** button.

3.4.1 A Successful Test

The test is considered successful if the RF link test succeeds and subsequently the communication test between the PC and the datalogger succeeds.

3.4.2 An Unsuccessful Test

When an RF test is unsuccessful, some basic ways to troubleshoot the system are included in the next section of this document.

3.5 Troubleshooting Unsuccessful Communication Attempts

3.5.1 Troubleshooting the Physical Link Between Base and Field Station

When communication fails, troubleshooting begins with the simplest RF link in the system, which is usually communication with the nearest field station. There is NO substitute for first checking the hardware connections, Modem RF Addresses, and everything listed in the previous section. Below are a few additional items to check:

1. Antenna is used in proximity of metal
2. Transmitting inside a building
3. Damaged or shorted cables
4. Bad or improper connections
5. Antenna frequency does not match the radio frequency
6. Base and field station radios aren't using same frequency
7. Datalogger power drops below 9.6 Volts during RF transmission
8. If the field station modem's receive light goes on, then at least a signal is reaching the site. If this occurs, check the following:
 - a. RF modem's ID matches ID in the RF Path
 - b. Field station's radio and datalogger have sufficient power
 - c. Radio is connected to RF modem
 - d. RF modem configuration is correct

4. Operation of the Radiotelemetry Network

All field stations can be accessed and monitored from the central base site. Regular visits to the field sites are required to ensure that all sensors are in place, enclosures are dry, solar panel is clean, and that the tripod and antenna are secure. Frequency of visits to the field sites are variable depending on environmental conditions and the sensors utilized.

This section of the manual includes a description of the *LoggerNet* datalogger support software as it applies to RF applications, as well as a description of some special RF applications.

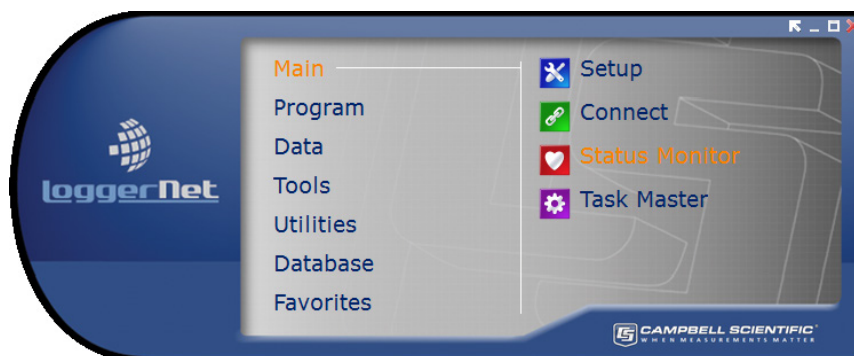


FIGURE 4-1. *LoggerNet* Main Tool Bar

4.1 Monitoring and Collecting Data with *LoggerNet*

LoggerNet software is the key to communicating with the field stations on an RF500M network. Complete information on the *LoggerNet* software is included in the *LoggerNet* manual. This section gives a brief description of software setup, specific RF application notes, and data collection methods.

4.1.1 Basic Concepts

LoggerNet is designed to use a unique communication path for each datalogger field site. The *Setup* screen of *LoggerNet* allows the setup and shows the communication path used to communicate to each field station. A typical RF communication path will start with the COM port, usually listed as ComPort. The next item in the typical communication path is the RFBBase-TD to represent the RF500M acting as the RF base station. After the RFBBase-TD, each field station RF500M is represented with an RFRemote-PB device in network map. Finally, the PakBus datalogger is connected to the RFRemote-PB device. The RF address of each RF remote must be changed to match the unique address used in each RF500M.

4.1.2 Using the *LoggerNet* Setup Screen

To create an RF communication path, open the *Setup* screen of *LoggerNet*. Next add a COM port by clicking the **Add Root** button or right clicking in the white space where the network map is displayed and selecting the **ComPort** option. Add the RF base by highlighting the **ComPort** and clicking on the **Add** button or right-clicking on the **ComPort** and selecting **RFBBase-TD**. Add RF remotes by using the same method but highlight the **RFBBase-TD** and select **RFRemote-PB**. The last device to add is a datalogger. Use the **Add** button or right click on the **RFRemote-PB** and add the appropriate datalogger. If a mistake is made, highlight the mistaken device and use the **Delete** button.

There are several fields requiring unique settings. The *LoggerNet* Setup screen shows different options based on which device is selected in the network map.

Select a device by left clicking your mouse on the device. Change the name of devices or settings as needed. The RFRemote-PB must have a unique RF Address. The RF Address for the RFRemote-PB must match the address that is entered in the configuration of the RF500M modem.

4.1.3 Automated Data Collection with *LoggerNet*

One feature of *LoggerNet* is automated data collection. *LoggerNet* can be set up to call each station based on time. In the *Setup* screen of *LoggerNet*, highlight the datalogger of interest in the network map. If the device map does not have the datalogger listed, you must set up the datalogger including the correct RF path. Using the **Schedule** tab, check the **Scheduled Collection Enabled** checkbox, set the base time of collection, set your **Collection Interval**, **Primary Retry Interval**, **Number of Primary Retries**, and **Secondary Retry Interval**. If you have questions concerning a field, press **F1** while your cursor is in the field.

The Primary Retry Interval is the time between calls when the first call attempt failed. The Number of Primary Retries is how many times the software will continue to call when the call fails. The time between each call is the Primary Retry Interval. After the Number of Primary Retries are used up, *LoggerNet* will go into the Secondary Retry Interval if secondary retries are enabled. The Secondary Retry Interval will continue until the call is successful or the schedule is tuned off. The Secondary Retry Interval is usually set to a longer period, such as a day.

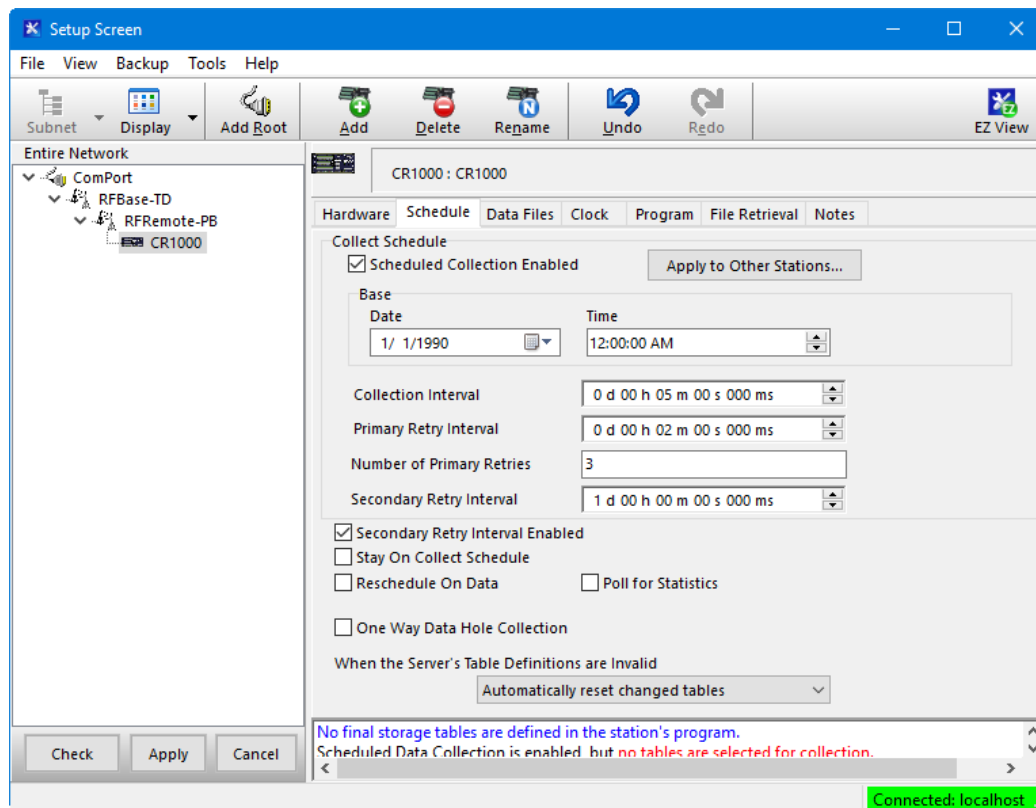


FIGURE 4-2. *LoggerNet* Setup Screen – Schedule Tab

4.1.4 General Communication – LoggerNet Connect Screen

General communications include: collect data, send and retrieve programs, monitor measurements in real time, graph real time data, etc. The *LoggerNet Connect* screen supports these general communication tasks. Communication can only be done after the RF communication path has been set up in the *Setup* screen. To communicate with the datalogger, open the *Connect* screen and click on the button that corresponds with the type of communication needed. The **Collect Now** or **Custom** buttons will collect data from the datalogger. The **Send New** and **Retrieve** buttons will send a program to the datalogger or retrieve a program from the datalogger respectively. The **Check** and **Set** buttons will check and set the datalogger clock to match the computer clock. The **Table Monitor** will display data from one entire table. The **Graphs** button is used to launch graphs of real time data. The **Numeric Display** button is used to open displays of numeric real time data.

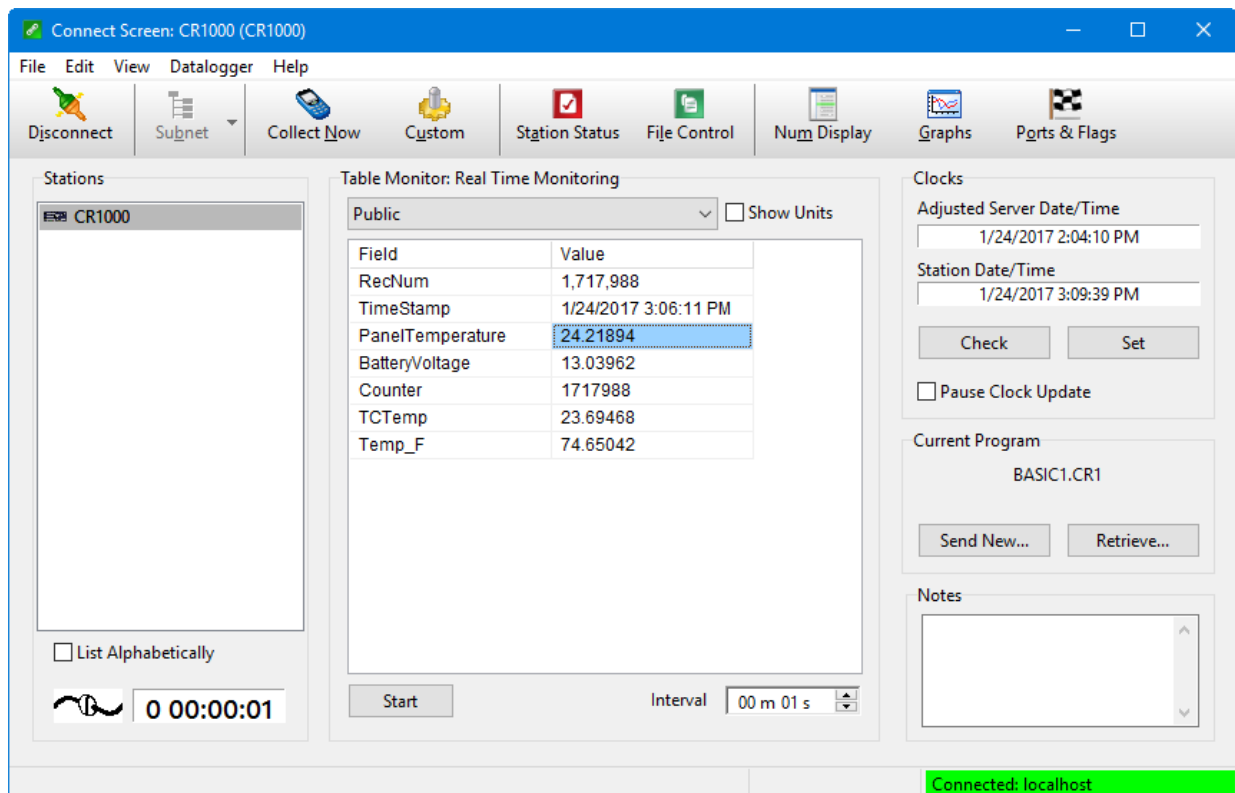


FIGURE 4-3. LoggerNet Connect Screen

4.2 Datalogger-Initiated Communications

The datalogger can send collected data to *LoggerNet* using the **SendData()** instruction in the datalogger. This method of data collection is referred to as One Way Data. With scheduled data collection disabled and *LoggerNet* running, the RF polling process of the RF500M retrieves data sent from the datalogger to *LoggerNet*. Over an RF500M network, One Way Data is the most efficient method of data collection.

4.2.1 – One Way Data – RF500M Network

The One Way Data method of data collection uses the **SendData()** instruction in a PakBus datalogger such as the CR800, CR1000, or CR3000 to send data records to *LoggerNet*. With standard scheduled data collection, the *LoggerNet* server requests specific records from each datalogger on a given interval. Although this collection process works well over an RF telemetry network, dialing each RF Remote to request records and collect data from each datalogger can take a considerable amount of time.

With One Way Data, the datalogger executes an instruction that will check a specified data table for a new record and send it to *LoggerNet* without a request from *LoggerNet*. Combining One Way Data with the RF500M polling process can increase the speed and efficiency of data collection on an RF telemetry network. The time division polling process of the RF500M is used to get One Way Data records back to *LoggerNet*.

When programming a PakBus datalogger, the **SendData()** instruction must be included in the datalogger to enable One Way Data. When the datalogger executes this instruction and a new record exists in the specified table, the datalogger sends the record out the interface declared in the instruction. In an RF500M network, the record is sent directly to a buffer in the RF remote and the record is collected during the next RF polling procedure. When *LoggerNet* receives a One Way Data record, the record is validated and processed.

When using the **SendData()** instruction in an RF telemetry network, specify the *LoggerNet* PakBus address as the direct neighbor address in the instruction rather than allowing the datalogger to auto-discover the link. Specifying the neighbor address is more effective since the RF polling process introduces latency that may cause the messages required for auto-discovery to time out. If my *LoggerNet* server PakBus address were 4094 and I wanted to send data from a table called “Test” through the SDC7 interface, my **SendData()** instruction should look like this:

```
SendData(ComSDC7,4094,4094,Test)
```

The RF500M network collects and transmits One Way Data packets from the datalogger to *LoggerNet* through the use of a Time Division Polling process. On a specified RF polling interval, the RF base broadcasts a message to each RF repeater and RF remote indicating that a polling event has started. This message also assigns a specific time window within the polling event for each RF remote to respond with data packets. The datalogger has already sent records to the RF Remote using the **SendData()** instruction and these records are waiting in the buffer of the RF Remote when the polling process begins. During the polling process, records in the RF Remote buffer are sent from the RF Remote to the RF base. Since each RF Remote has an assigned polling event time window in which the data is sent, collisions and RF interference during data collection are avoided. The RF base stores all collected data packets in a buffer and sends the collected packets to *LoggerNet* when contacted by *LoggerNet*.

If, for example, an RF base has three RF remotes from which it needs to collect data, the RF base will send a broadcast packet to all three remotes on the RF polling interval. The broadcast packet assigns the Time Division Polling transmission window for each RF remote to send collected data packets to the RF Base. The default Time Division Polling transmission window allows one

second for each RF Remote to send the data to the RF Base. In this example, the RF Remotes all hear the RF polling broadcast simultaneously. Each RF remote takes control of the RF network during its specified transmission window to send back any complete data packets that exist in its buffer. The Time Division Polling process eliminates collisions and interference while quickly transmitting data over the network.

RF remote number one uses the first second after the polling interval to send any packets in its buffer to the RF base, RF remote number two uses the next one second window to send any packets in its buffer to the RF base, and RF remote number three uses the final one second window to send any packets in its buffer to the RF base. The RF base stores the packets being sent by the RF remotes in a buffer and waits for contact from the *LoggerNet* server before transferring the collected data to *LoggerNet*.

If the RF remote is storing more data in its buffer than can be sent in the defined time window of the polling event, the RF Remote requests more time to send the remaining data. After all RF remotes have had a chance to respond during their defined time windows within the polling event, the RF remote that requested additional time to send more data takes control of the RF medium and takes any additional time necessary to transmit data.

The **SendData()** instruction in the datalogger drives data collection. *LoggerNet* merely waits to receive, validate and accept these records. The datalogger assumes that all records sent to *LoggerNet* are received and processed. There is not an acknowledgement for One Way Data packets between the datalogger and *LoggerNet*.

Since data could theoretically be lost during transmission when using the One Way Data method of collection, *LoggerNet* can be set up to automatically collect any missing records. A “hole” in the data occurs when data is missing from the *LoggerNet* data cache. *LoggerNet* detects a hole in the data when it receives a record with a record number larger than the next expected record number. For example, if the last record number collected by *LoggerNet* were 100, *LoggerNet* would expect the next record number to be 101. However, if the next record collected by *LoggerNet* were 105, *LoggerNet* would detect a hole in the collected data for the missing records 101 through 104. To automatically collect missing records and maintain a complete historical data collection in *LoggerNet*, check the box to “Enable Automatic Hole Collection” on the datalogger tab of the *Setup* screen in *LoggerNet*.

Each time the **SendData()** instruction is called, it looks for a new record in a specified table and sends that record to *LoggerNet*. The datalogger remembers the last record sent and will not send the same record again but will wait until a new record is written to the table before creating a new data packet for *LoggerNet*. One exception is when the datalogger is first powered. If records already exist in the table, the **SendData()** instruction will send the newest record in the specified table even if it had previously been sent to *LoggerNet*. However, *LoggerNet* will recognize the duplicate record and it will be discarded.

If more records or data exist than can fit in the RF remote buffer, the buffer will act as a ring memory and older records will be overwritten with the newest records sent by the datalogger. Any missing records must be collected using Hole Collection where *LoggerNet* contacts the datalogger directly and specifies the records to collect.

Appendix A. Fundamentals of Radiotelemetry

A.1 Radio Waves

Radiotelemetry is the process of transferring information (data) in the form of radio waves. The data is transferred on a carrier wave, which normally has a sinusoidal form. Therefore, the carrier wave can be described entirely by the frequency, amplitude, and phase with respect to a reference.

The commonly used term for radiotelemetry, RF, refers to radio frequency, which in actuality is the frequency of the carrier wave.

Radio waves can be divided into three categories: 1) ground waves, 2) direct waves, and 3) sky waves. All communication with Campbell Scientific's RF networks is done via direct waves. Direct waves travel "line-of-sight" at a maximum distance of approximately 25 miles.

Low frequency radio waves (5-10 MHz) can travel for thousands of miles using the ground wave portion of the radio wave. The ground wave is that portion of the radio wave that travels just above the surface of the ground. Conversely, the sky wave radiates to the ionosphere where a certain percentage of the energy is reflected back to earth. At the higher frequencies used for data transmission the ionosphere is penetrated by the radio wave and too small of a percentage is reflected back to earth. However, neither the ground wave nor sky wave is used in Campbell Scientific's RF networks.

Energy is lost from radio waves as they travel away from the transmitting antenna. One reason for this is the loss due to dispersion of energy over a larger area; analogous to water waves reducing in size (energy) as they get farther from the source. Second, is that energy is absorbed by the earth over the distance of travel. Eddy currents cut down signal power, and intervening terrain and buildings can prevent a signal from being strongly received.

The higher the frequency, the stronger the radiation field. However, at higher frequencies more energy is absorbed by the surface. The VHF and UHF frequencies can travel only a short distance between radio stations. The direct wave, where there are no obstacles between stations, will transmit farther than any indirect waves that have been transmitted through or reflected from obstacles.

The carrier wave can be thought of as the radio wave which "carries" the data from one radio to the next. The "data" consists of an electrical signal that rides with the carrier wave. The process of placing the signal on the carrier wave is called modulation. The signal is also in the form of a wave, but usually the signal has a much lower frequency. The carrier with the modulating signal is called the modulated carrier.

The signal wave isn't used as a carrier wave because radio transmission must be of a high frequency to keep radio components small, antennas small, filtering efficient, and to isolate the radio waves from the common low frequency man-made noise.

The main forms of modulation are amplitude, frequency, and pulse modulation. Frequency modulation (FM) is used by Campbell Scientific.

A.2 Antennas

An antenna is a device that captures and radiates radio waves. The antenna at the transmitting station is excited by the transmitting radio. The antenna converts energy from the radio to radiated energy. Electrons within the antenna oscillate at the frequency of the radio thereby producing radio waves. These radio waves radiate out from the antenna at the speed of light (299,800 km/s).

The transmitted radio wave will cause electrons in the receiving antenna to oscillate at the carrier frequency. The AC current thereby produced in the antenna is transferred to the radio for demodulation.

The antenna is constructed for a particular frequency, operating radius, and gain. Length, diameter, number of elements, and element spacing are among the items that can be changed to alter antenna performance at the design stage.

Every antenna has a known horizontal and vertical pattern of radiation. The horizontal radiation pattern consists of any segment of a 360-degree circle surrounding the antenna. The horizontal pattern is important to consider when a RF station is to communicate with more than one other RF station. The vertical pattern is the radiating pattern in the upward and downward directions.

Any two communicating RF stations must have a minimum level of signal power. Power is normally expressed in decibels (dB), or decibel milliwatts (dBm). Power is lost through transmission cables (transmitting and receiving) and over the communicating distance. Power is gained through the transmitting radio, and the two antennas. Antenna gain is specified in decibels in reference to a dipole, and can vary from 0 to 10 dB in common antennas. A unity gain antenna has a 0 dB gain, therefore no additional power is added by using these antennas.

Antenna gain is accomplished by either concentrating the radiating power in a small sector, or using multiple radiating elements with additive patterns.

A.3 RF500M Modem

The RF500M Modem is the main communication control device in a radiotelemetry network. The RF Modem enables a central base site to communicate with up to 254 different RF stations.

The RF Modem is a microprocessor controlled device which codes all transmissions for a specific communication path. Each has a hardware ID switch for identifying different stations.

The purpose of the RF Modem is to control operation of the radio and provide protection for data integrity. The RF Modem controls the communication sequences, sets data to be transferred into data blocks, creates signatures of data blocks, modulates the radio's carrier wave, and stores information on communication quality.

The user at the computer is responsible for naming the desired communication path with a setup string. This setup string contains any repeater (MOL) modem IDs and the destination (EOL) modem ID in sequence. After sending this information out through the RF system, all of the RF Modems in the specified link will set themselves in the proper mode. The RF Modem has different modes to distinguish responsibilities at various localities within a link.

Establishment of an RF link consists of getting all of the RF Modems in the proper mode and receiving a verification block from the EOL modem.

A.4 Transceiver

The purpose of a transceiver (radio) is to transmit and receive the modulated carrier wave.

A radio is both a transmitter and receiver. The main component in the transmitter is the oscillator of which the frequency of oscillation is provided electronically or by a crystal. The electronics or crystal oscillates at a desired frequency, which is specific for the carrier frequency. The oscillator converts DC power to an AC signal. This signal is then amplified, modulated with the signal, and transmitted to the antenna system. The receiver consists of an amplifier, frequency converter to slow signal, limiter to give constant amplitude but same frequency, and discriminator or demodulator.

The radio has a known impedance, or resistance. Maximum power is transferred if the impedance of the radio matches the impedance of the antenna and cable. This impedance is generally 50 ohms. Mismatching of impedance will cause a lesser transmit power and result in a higher VSWR (Voltage Standing Wave Ratio).

When the transmission cable and antenna does not match the impedance of the output circuit of the radio, not all of the energy fed down the cable will flow into the antenna. A percentage of the energy will be reflected back forming standing waves on the cable. The ratio of voltage across the line at the high voltage points to that at the low voltage points is known as the VSWR. When the VSWR is 3.0:1 or greater, the percentage of errors per data value is greater than 50%. The VSWR should be kept below 1.5:1 for error free radiotelemetry.

Appendix B. Power Calculations

There must be enough transmission power in any RF link to complete communication. The sources of power are the radio and the antennas. Conversely, power is lost both through the cables (coax loss) and over the distance of communication (path loss). The power of the signal received (Signal Power) can be calculated as stated below.

The signal power must be greater than -95 dBm (-80 dBm @ 2.4K baud) to have a good radiotelemetry link. Decibel milliwatts (dBm) is a scale of power, 0 dBm represents one milliwatt of power. The lower limit of power for good data transmission is approximately 0.0000000000003 Watts (3X10-13), which represents -95 dBm.

Signal Power

$$SP = TP + AG - PL - CL$$

where, SP = Signal Power (dBm): Power of the signal received,

TP = Transmit Power (dBm): Rated output power of transmitting radio

PL = Path Loss (dB): Power lost over the distance of communication (calculated below)

AG = Antenna Gain (dB): Total power gained by both the transmit and receive antennas

and, CL = Coax Loss (dB): Total power lost through both lengths of cable connecting the transmit and receive radios to the antennas

Path Loss

$$PL = 36.6 + 20 * \text{Log}(F) + 20 * \text{Log}(D)$$

where, PL = Path Loss

F = Frequency (MHz)

and, D = Distance (miles)

Coaxial Cable Loss

Typical coaxial cable losses are listed below.

<u>Cable Type</u>	<u>200 MHz</u>	<u>Loss/100 ft.</u>	<u>400 MHz</u>
RG-8A/U	3.1 dB		5.0 dB
RG-58A/U	6.2 dB		9.5 dB

Transmit Power

5 Watt Radio 36.99 dBm

4 Watt Radio 36.02 dBm

Power Conversion

Conversion of Watts to dBm can be done with the following formula.

$$\text{dBm} = 10 * \text{Log}((\text{Watts})/0.001)$$

Appendix C. Glossary

Antenna – Device for radiating and receiving radio signals.

Attenuation – The reduction of an electrical signal without appreciable distortion.

Base Station – The destination for accumulated data; where data is received via radio from one or more field stations.

Baud Rate – A unit of data transmission speed, normally equal to one bit per second.

Block – Group of ones and zeroes which represent data or commands.

BNC Connector – A commonly used “twist type” connector on radios.

Carrier Wave – A radio wave upon which the signal is transmitted.

Coaxial Cable – An insulated RF transmission line consisting of two conductors separated by a dielectric.

COM Port (Communication Port) – The serial port of the computer where communication is intended.

Decibel – A unit of power equal to 10 times the common logarithm of the ratio of two amounts of signal power.

End of Link Modem – An RF modem which is at the field station.

Field Station – The place of origin of the data, from which the data is then transmitted by radiotelemetry.

Forward Power – Energy that is transmitted from a radio, through coaxial cable, and through the antenna without being reflected back to the radio.

Line of sight – Straight path between the transmitting and receiving antenna when unobstructed by the horizon.

Megahertz – Cycles per second multiplied by 1,000,000.

Middle of Link Modem – Any modem in an RF link which is not at the base station or the designated field station.

Modem RF Address – A communication identification number for an RF Modem, also an aid in specifying the RF path. Also known as RF ID.

Modulation – Process by which one waveform (carrier) is caused to vary according to another waveform (signal).

Omnidirectional – Capable of operating in all directions.

Radio – Device which transmits and receives electrical signals by means of radio waves.

Radio Frequency – The number of cycles per second with which the carrier wave travels, usually specified in Megahertz.

Radiotelemetry – Process of transmitting data by radio communication.

Radiotelemetry Link – A temporary communication path within a network.

Radiotelemetry Network – A group of stations which communicate by radio and are used to indicate or record data.

Reflected Power – Energy that is transferred back into the radio after it has been transmitted by the same radio.

Remote Site – See Field Station.

Repeater – An intermediate station in an RF link used for the sole purpose of relaying data.

RF – An abbreviation for radio frequency, commonly used in place of radiotelemetry.

RF ID – A communication identification number for an RF Modem, also an aid in specifying the RF path. Also known as Modem RF Address.

RF Modem – Device which modulates an electrical signal on the carrier wave, and codes all transmissions for a specific path.

RF Path – The designation of an RF link with modem ID Numbers and modem commands.

Signal Power – Power of a signal at the receiving radio, after power is lost through transmission.

Start of Link Modem – The modem located at the base station.

Squelch – Setting on the radio which specifies the minimum power level which signals must be received.

Sub Link – Any segment of an RF link which begins and ends with an RF station.

UHF (Ultra High Frequency) – Carrier frequencies commonly in the range of 406 to 512 MHz.

VHF (Very High Frequency) – Carrier frequencies commonly in the range of 130 to 174 MHz.

VSWR (Voltage Standing Wave Ratio) – The ratio of the standing wave voltage across the RF transmission cable at the high voltage points to that at the low voltage points.

Unidirectional – Capable of operating only in a single direction.

Campbell Scientific Companies

Campbell Scientific, Inc.

815 West 1800 North
Logan, Utah 84321
UNITED STATES

www.campbellsci.com • info@campbellsci.com

Campbell Scientific Canada Corp.

14532 – 131 Avenue NW
Edmonton AB T5L 4X4
CANADA

www.campbellsci.ca • dataloggers@campbellsci.ca

Campbell Scientific Africa Pty. Ltd.

PO Box 2450
Somerset West 7129
SOUTH AFRICA

www.campbellsci.co.za • cleroux@csafrica.co.za

Campbell Scientific Centro Caribe S.A.

300 N Cementerio, Edificio Breller
Santo Domingo, Heredia 40305
COSTA RICA

www.campbellsci.cc • info@campbellsci.cc

Campbell Scientific Southeast Asia Co., Ltd.

877/22 Nirvana@Work, Rama 9 Road
Suan Luang Subdistrict, Suan Luang District
Bangkok 10250
THAILAND

www.campbellsci.asia • info@campbellsci.asia

Campbell Scientific Ltd.

Campbell Park
80 Hathern Road
Shepshed, Loughborough LE12 9GX
UNITED KINGDOM

www.campbellsci.co.uk • sales@campbellsci.co.uk

Campbell Scientific Australia Pty. Ltd.

PO Box 8108
Garbutt Post Shop QLD 4814
AUSTRALIA

www.campbellsci.com.au • info@campbellsci.com.au

Campbell Scientific Ltd.

3 Avenue de la Division Leclerc
92160 ANTONY
FRANCE

www.campbellsci.fr • info@campbellsci.fr

Campbell Scientific (Beijing) Co., Ltd.

8B16, Floor 8 Tower B, Hanwei Plaza
7 Guanghua Road
Chaoyang, Beijing 100004
P.R. CHINA

www.campbellsci.com • info@campbellsci.com.cn

Campbell Scientific Ltd.

Fahrenheitstraße 13
28359 Bremen
GERMANY

www.campbellsci.de • info@campbellsci.de

Campbell Scientific do Brasil Ltda.

Rua Apinagés, nbr. 2018 – Perdizes
CEP: 01258-00 – São Paulo – SP
BRASIL

www.campbellsci.com.br • vendas@campbellsci.com.br

Campbell Scientific Spain, S. L.

Avda. Pompeu Fabra 7-9, local 1
08024 Barcelona
SPAIN

www.campbellsci.es • info@campbellsci.es

Please visit www.campbellsci.com to obtain contact information for your local US or international representative.