

# INSTRUCTION MANUAL



## RAWS-P Remote Automated Weather Station

Revision: 12/13



Copyright © 2006-2013  
Campbell Scientific, Inc.



# Warranty

---

“PRODUCTS MANUFACTURED BY CAMPBELL SCIENTIFIC, INC. are warranted by Campbell Scientific, Inc. (“Campbell”) to be free from defects in materials and workmanship under normal use and service for twelve (12) months from date of shipment unless otherwise specified in the corresponding Campbell pricelist or product manual. Products not manufactured, but that are re-sold by Campbell, are warranted only to the limits extended by the original manufacturer. Batteries, fine-wire thermocouples, desiccant, and other consumables have no warranty. Campbell’s obligation under this warranty is limited to repairing or replacing (at Campbell’s option) defective products, which shall be the sole and exclusive remedy under this warranty. The customer shall assume all costs of removing, reinstalling, and shipping defective products to Campbell. Campbell will return such products by surface carrier prepaid within the continental United States of America. To all other locations, Campbell will return such products best way CIP (Port of Entry) INCOTERM® 2010, prepaid. This warranty shall not apply to any products which have been subjected to modification, misuse, neglect, improper service, accidents of nature, or shipping damage. This warranty is in lieu of all other warranties, expressed or implied. The warranty for installation services performed by Campbell such as programming to customer specifications, electrical connections to products manufactured by Campbell, and product specific training, is part of Campbell’s product warranty. **CAMPBELL EXPRESSLY DISCLAIMS AND EXCLUDES ANY IMPLIED WARRANTIES OF MERCHANTABILITY OR FITNESS FOR A PARTICULAR PURPOSE.** Campbell is not liable for any special, indirect, incidental, and/or consequential damages.”

# Assistance

---

Products may not be returned without prior authorization. The following contact information is for US and international customers residing in countries served by Campbell Scientific, Inc. directly. Affiliate companies handle repairs for customers within their territories. Please visit [www.campbellsci.com](http://www.campbellsci.com) to determine which Campbell Scientific company serves your country.

To obtain a Returned Materials Authorization (RMA), contact CAMPBELL SCIENTIFIC, INC., phone (435) 227-9000. After an application engineer determines the nature of the problem, an RMA number will be issued. Please write this number clearly on the outside of the shipping container. Campbell Scientific's shipping address is:

**CAMPBELL SCIENTIFIC, INC.**

RMA# \_\_\_\_\_  
815 West 1800 North  
Logan, Utah 84321-1784

For all returns, the customer must fill out a "Statement of Product Cleanliness and Decontamination" form and comply with the requirements specified in it. The form is available from our web site at [www.campbellsci.com/repair](http://www.campbellsci.com/repair). A completed form must be either emailed to [repair@campbellsci.com](mailto:repair@campbellsci.com) or faxed to (435) 227-9106. Campbell Scientific is unable to process any returns until we receive this form. If the form is not received within three days of product receipt or is incomplete, the product will be returned to the customer at the customer's expense. Campbell Scientific reserves the right to refuse service on products that were exposed to contaminants that may cause health or safety concerns for our employees.

# Table of Contents

---

*PDF viewers: These page numbers refer to the printed version of this document. Use the PDF reader bookmarks tab for links to specific sections.*

<b>1. Introduction</b>	<b>1</b>
<b>2. Getting Started</b>	<b>2</b>
<b>3. Station Siting and Orientation</b>	<b>5</b>
3.1 General Description	5
3.2 Air Temperature and Relative Humidity	5
3.3 Precipitation	6
3.4 Solar Radiation	6
3.5 Wind Speed and Direction	6
3.6 Barometric Pressure	6
3.7 Fuel Moisture and Fuel Temperature	6
<b>4. Sensor Wiring and Troubleshooting</b>	<b>6</b>
4.1 Air Temperature and Relative Humidity	6
4.1.1 General Description	6
4.1.2 Wiring	7
4.1.3 Troubleshooting	7
4.2 Rain Gage	7
4.2.1 General Description	7
4.2.2 Wiring	7
4.2.3 Troubleshooting	8
4.3 Solar Radiation	8
4.3.1 General Description	8
4.3.2 Wiring	8
4.3.3 Troubleshooting	8
4.4 Wind Speed and Direction	9
4.4.1 Wind Sensor	9
4.4.1.1 General Description	9
4.4.1.2 Wiring	9
4.4.1.3 Troubleshooting	9
4.4.2 2-D WindSonic	10
4.4.2.1 General Description	10
4.4.2.2 Wiring	10
4.4.2.3 Troubleshooting	10
4.5 Barometric Pressure	10
4.5.1 General Description	10
4.5.2 Wiring	11
4.5.3 Troubleshooting	11
4.6 Fuel Moisture and Fuel Temperature	11
4.6.1 General Description	11
4.6.2 Wiring	12
4.6.3 Troubleshooting	12

<b>5. Equipment Wiring and Troubleshooting.....</b>	<b>12</b>
5.1 Solar Panels .....	12
5.1.1 General Description.....	12
5.1.2 Wiring .....	13
5.1.3 Troubleshooting .....	13
5.2 Charger/Regulator .....	13
5.2.1 General Description.....	13
5.2.2 Wiring .....	14
5.2.3 Troubleshooting .....	15
5.3 Battery .....	15
5.3.1 General Description.....	15
5.3.2 Wiring .....	15
5.3.3 Troubleshooting .....	16
5.4 GOES Transmitter .....	16
5.4.1 General Description.....	16
5.4.2 Wiring .....	17
5.4.3 Troubleshooting .....	18
5.5 CR1000 Keyboard/Display .....	18
5.5.1 General Description.....	18
5.5.2 Wiring .....	19
5.5.3 Troubleshooting .....	19
5.6 CR1000 Datalogger.....	19
5.6.1 General Description.....	19
5.6.2 Wiring .....	20
5.6.3 Troubleshooting .....	20
<b>6. Desiccant .....</b>	<b>20</b>
<b>7. Sensor and Equipment Maintenance .....</b>	<b>20</b>
<b>8. References.....</b>	<b>21</b>
<b>9. RAWS Orientation .....</b>	<b>21</b>
9.1 Determining True North and Sensor Orientation .....	21
9.2 USGS Web Calculator.....	24

**Figures**

1-1. Color coded, keyed connector panel.....	1
2-1. Inside environmental enclosure (optional equipment shown) .....	3
5-1. 12 volt charger/regulator .....	14
5-2. GOES transmitter .....	17
5-3. CR1000 keyboard/display .....	18
5-4. CR1000 and printed circuit wiring panel.....	19
5-5. Printed circuit board wiring panel connector ID .....	20
9-1. Magnetic declination for the contiguous United States .....	22
9-2. A declination angle east of True North (positive) is subtracted from 360 (0) degrees to find True North.....	23
9-3. A declination angle west of True North (negative) is subtracted from 0 (360) degrees to find True North.....	23
9-4. USGS web calculator .....	24

**Tables**

2-1. Public Variables .....4  
4-1. TEMP/RH Connector (color coded orange).....7  
4-2. PRECIP Connector (color coded blue) .....7  
4-3. SOLAR RAD SDI-12 Connector (color coded green).....8  
4-4. WS/WD Connector (color coded red).....9  
4-5. SDI-12 Connector (color coded yellow) .....10  
4-6. CS100-QD Wiring .....11  
4-7. FM/FT Connector (color coded brown) .....12  
5-1. GOES Transmitter Connections.....17





# RAWS-P Remote Automated Weather Station

---

## 1. Introduction

The RAWS-P is the core of a permanent station. It consists of a CR1000 datalogger and 12 Vdc battery, housed and protected in an aluminum environmental enclosure. The sensors and the tripod/tower are purchased separately—allowing you to customize your station exactly the way you want it. Installation is easy because the selected sensors are attached to color-coded, keyed connectors on the outside of the RAWS-P enclosure (see FIGURE 1-1). Besides the connectors, a wiring panel is provided that allows the attachment of additional sensors. The RAWS-P typically communicates via our GOES satellite transmitter. It is also compatible with other communication equipment such as telephones, digital cellular transceivers, and radios.

Each RAWS-P station is preprogrammed to monitor wind speed and direction, air temperature and relative humidity, precipitation, barometric pressure, and solar radiation sensors. This program complies with the National Fire Danger Rating System (NFDRS) weather station standards.



FIGURE 1-1. Color coded, keyed connector panel

Specifications are available from our web site at [www.campbellsci.com](http://www.campbellsci.com).

For “sensors specifications,” click on “Products”, select “Sensors” and go to the sensor manual for specifications. For “equipment specifications”, enter the part number in the “Search” box on the website mentioned above and go to the equipment manual for specifications.

---

**NOTE** Equipment and sensor specifications are provided on the ResourceDVD which ships with the RAWS.

---

## 2. Getting Started

Set up and test your station before field deployment.

---

**NOTE** Keep this manual and the CR1000KD Keyboard Display with the RAWS.

---

Review the station siting and orientation section before field deployment. If a problem is encountered, review the equipment wiring and troubleshooting sections in this manual.

After siting and leveling the RAWS station, open the enclosure and (1) connect the battery cable and (2) verify the CH100 switch is in the ‘on’ position.

---

**NOTE** When this equipment is not in use (i.e., transport or storage), disconnect battery cable to the CH100.

---

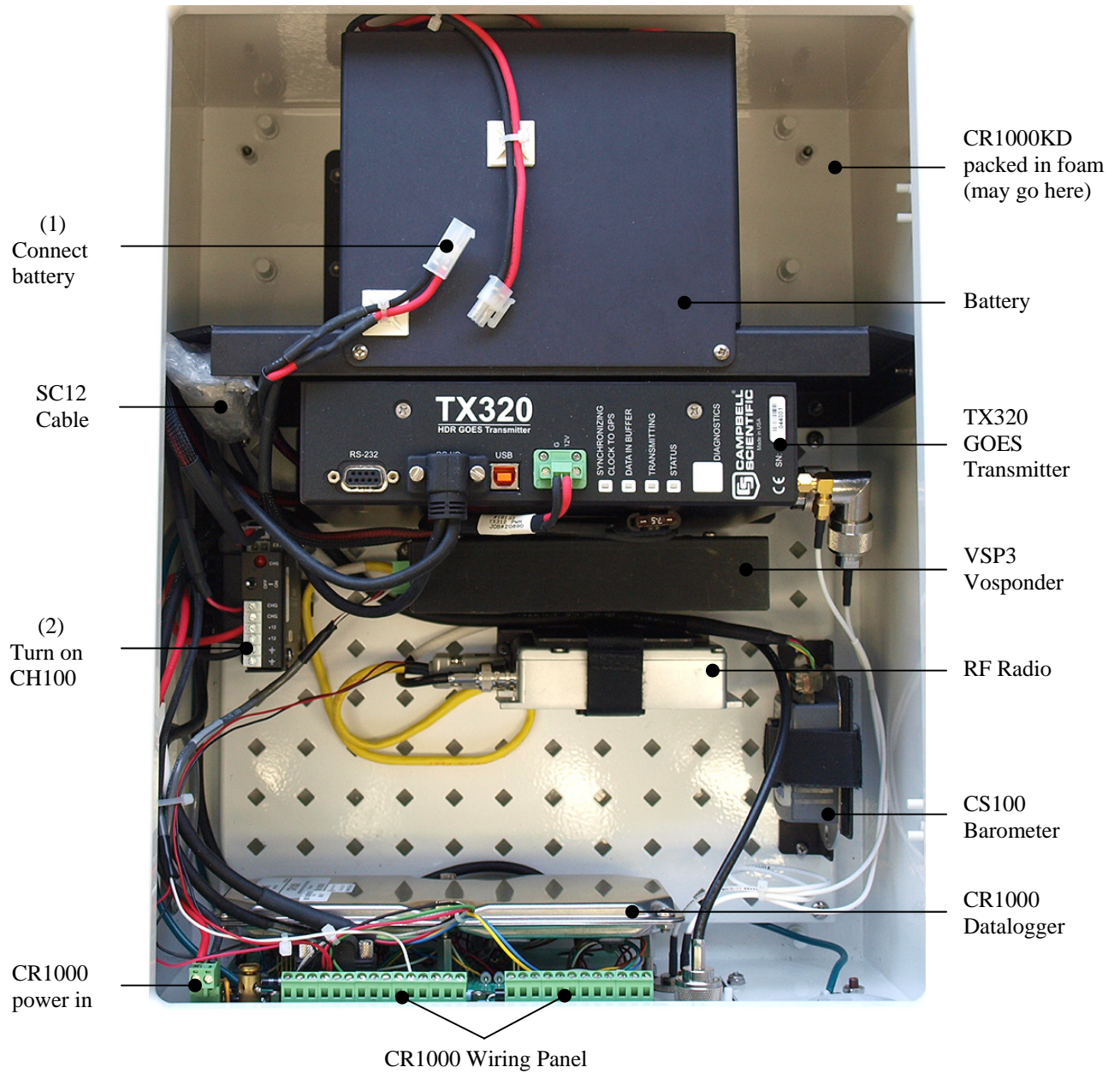


FIGURE 2-1. Inside environmental enclosure (optional equipment shown)

**NOTE**

The RAWS-P comes with a generic program. Modifications to this generic program will require datalogger support software (LoggerNet or PC400) purchased from Campbell Scientific. Please contact a Campbell Scientific Application Engineer for programming assistance. Campbell Scientific company contact information is listed on the last page of this manual.

**NOTE**

Use the CR1000KD Keyboard Display to see the “Public Variables” shown in TABLE 2-1.



- Connect the CR1000KD Keyboard Display to the CS I/O connector (FIGURE 5-5) or SC12 Cable (FIGURE 2-1)
- Press any key for the CR1000KD Power up Screen
- Press Enter to move down a menu (Press Esc to move up a menu)
- (Press up/down arrow to select item)
- Select Data, press Enter
- Select Real Time Tables, press Enter
- Select Public, press Enter
- Press up/down arrow to see the Public Variables listed in TABLE 2-1

Press any key for Power up Screen  
 Press ^ to turn on/off backlight  
 Press <> to adjust contrast

**TABLE 2-1. Public Variables**

Number	Name	Function
	<b>Sensor Variables</b>	
1	Batt_Volt	System power supply voltage
2	AirTempF	HC2S3 air temperature in degrees F
3	RH	HC2S3 relative humidity in percent
4	TdewF	Dewpoint in degrees F, calculated from HC2S3 data
5	SlrW	Solar radiation in watts, pyranometer
6	Rain_in	Temporary rain, cleared every scan
7	RainTot	TE525 cumulative rain fall in inches
8	WS_mph	Wind speed in MPH
9	WindDir	Wind direction
10	WSDiag	Only for WindSonic data, zero otherwise
11	MaxWS	MaxWS, reset 2 minutes before transmit
12	MaxWD	Direction of wind during max wind speed
13	SlrMJ	Solar radiation in MJoules
14	BP_inHg	Hourly — barometric pressure, inHg
15	BPelev_ft	Elevation, to correct barometric pressure
16	FuelT_F	Hourly — fuel temperature in degrees F
17	FuelM	Hourly — fuel moisture, % moisture by weight
	<b>GOES Variables</b>	
18	CountDwn	True or False: True indicates GPS fix good and program is collecting data. False until GPS fix is obtained

19	Clockgood	True or False: True after GPS fix and CR1000 clock has been set to match TX320 clock
20	TimeToXmit	Seconds until transmit time. Indicates CR1000 and TX320 are properly setup and running
21	SWR	Standing Wave Ratio (SWR), only after a transmission. Indicates condition of antenna and cable. SWR should be less than 2.0
22	FwdPower	Forward power in dBm, should be about 37
23	RefPower	Reflected power in dBm, should be about 25 or less
24	RC_Data	Only valid after first transmission. Anything other than zero is a problem
25	Setup_RC	Indicates if CR1000 could setup TX320. Zero is success or has not run

### 3. Station Siting and Orientation

#### 3.1 General Description

Selecting an appropriate site for the RAWS is critical in order to obtain accurate meteorological data. In general, the site should be representative of the general area of interest and away from the influence of obstructions such as buildings and trees.

**NOTE**

---

See Section 8, *References*, for siting references.

---

**WARNING**

---

**If any part of the weather station comes in contact with power lines, you could be killed. Contact local utilities for the location of buried utility lines before digging or driving ground rods.**

---

#### 3.2 Air Temperature and Relative Humidity

A temperature and relative humidity (RH) sensor should be located over an open level area at least 9 m in diameter (EPA). The surface should be covered by short grass, or where grass does not grow, the natural earth surface. The sensor must be housed inside a radiation shield and adequately ventilated.

Situations to avoid include:

- large industrial heat sources
- rooftops
- steep slopes
- sheltered hollow
- high vegetation
- shaded areas
- swamps
- areas where snow drifts occur
- low places holding standing water after rains

### 3.3 Precipitation

A rain gage should be located over an open level area covered by short grass, or where grass does not grow, the natural earth surface. Level the rain gage.

---

**NOTE** Take off the funnel and remove the rubber band securing the tipping bucket mechanism during transport.

---

### 3.4 Solar Radiation

A solar radiation sensor should be located to avoid shadows on the sensor at any time. Orient the solar radiation sensor towards the equator minimizing the chance of shading from other weather station structures. Reflective surfaces and sources of artificial radiation should be avoided. Level the solar radiation sensor.

### 3.5 Wind Speed and Direction

A wind sensor should be located over open level terrain and at a distance of at least ten times (EPA) the height of any nearby building, tree, or other obstruction.

### 3.6 Barometric Pressure

The barometric pressure sensor is mounted to the back plate inside the RAWS environmental enclosure.

### 3.7 Fuel Moisture and Fuel Temperature

The fuel moisture and fuel temperature sensor should be left outside at the field site continually exposed to the same conditions as forest fuels. The fuel moisture and fuel temperature dowel rods absorb and desorb moisture from its surroundings. Install the probes horizontally on the mounting stake and face the sensors towards the equator above a representative forest floor duff layer. Place the sensor away from foot traffic areas.

## 4. Sensor Wiring and Troubleshooting

### 4.1 Air Temperature and Relative Humidity

#### 4.1.1 General Description

The HC2S3 Rotronic's HydroClip2 Air Temperature and Relative Humidity Probe has a -RQ cable termination option that allows it to connect to the RAWS-P. This probe contains a Platinum Resistance Thermometer (PRT) and a Rotronic's IN1 capacitive relative humidity sensor. Voltage is output for each of the probe's sensors.

### 4.1.2 Wiring

The HC2S3 attaches to the connector labeled TEMP/RH; this connector is color coded orange. This sensor is internally wired from the RAWS connector panel to the CR1000 datalogger.

Connector Pin	Description	CR1000 Terminal
A	Temperature H	1L
B	Sensor Excitation	VX1
C	Sensor Signal L/ $\oplus$	$\oplus$
D	Power Ground	G
E	RH Signal	1H
F	Switched 12 V	SW_12V

### 4.1.3 Troubleshooting

If a problem is suspected, check the sensor cable. Disconnect the connector and look for damaged pins. Verify that the sensor body is connected to the sensor head. Under the filter assembly, verify the sensors are connected but not touching. Try connecting a substitute sensor. Obtain an RMA number before returning this sensor to Campbell Scientific for repair.

---

**NOTE** Consult the HC2S3-L manual for more information.

---

## 4.2 Rain Gage

### 4.2.1 General Description

The Texas Electronics Rain Gage (pn TE525-LQ) is an adaptation of a Weather Bureau tipping bucket rain gage. The rain gage has a 6 inch collector. The rain gage sensor output has a switch closure for each bucket tip. Level the rain gage.

### 4.2.2 Wiring

The TE525-LQ attaches to the connector labeled PRECIP; this connector is color coded blue. This sensor is internally wired from the RAWS connector panel to the CR1000 datalogger.

Connector Pin	Description	CR1000 Terminal
A	Tipping Bucket	C6
B	5 V	5V
C	Ground	G

### 4.2.3 Troubleshooting

If a problem is suspected, check the sensor cable. Disconnect the connector and use a digital volt meter (DVM) to check the resistance between Pin A (sensor signal) and Pin C (sensor ground). The resistance should read as an open circuit until you move the rain gage tipping mechanism where the magnet swings past the reed relay. Try connecting a substitute sensor. Obtain an RMA number before returning this sensor to Campbell Scientific for repair.

---

**NOTE** Consult the TE525-L manual for more information.

---

## 4.3 Solar Radiation

### 4.3.1 General Description

The Apogee Pyranometer (pn CS300-LQ) measures incoming solar radiation with a silicon photovoltaic detector mounted in a cosine-corrected head. The detector outputs current; a shunt resistor in the sensor converts the signal from current to voltage. During the night, the CS300-LQ may read slightly negative incoming solar radiation. The negative signal is caused by RF noise.

### 4.3.2 Wiring

The CS300-LQ attaches to the connector labeled SOLAR RAD SDI-12; this connector is color coded green. The pyranometer sensor is internally wired from the RAWS connector panel to the CR1000 datalogger.

Connector Pin	Description	CR1000 Terminal
A	Solar Sensor +	3H
B	Solar Sensor -	3L shorted to $\perp$
C	Solar Sensor Ground	$\perp$
D	SDI-12 Ground	G (used for a second SDI-12 sensor)
E	SDI-12 Signal	C5 (used for a second SDI-12 sensor)
F	SDI-12 12 V	12V (used for a second SDI-12 sensor)

### 4.3.3 Troubleshooting

If a problem is suspected, check the sensor cable. Disconnect the connector and use a DVM to check the voltage between Pin A Solar Sensor (+) and Pin B Solar Sensor (-). The voltage should be 0 to 200 mV for 0 to 1000 W m<sup>-2</sup> radiation. No voltage indicates a problem with either the photodiode or the shunt resistor, both of which are potted in the sensor head and cannot be serviced. Try connecting a substitute sensor. Obtain an RMA number before returning this sensor to Campbell Scientific for repair.



---

**NOTE** Consult the CS300-L manual for more information.

---

## 4.4 Wind Speed and Direction

### 4.4.1 Wind Sensor


#### 4.4.1.1 General Description

The Met One Wind Sensor (pn 034B-LQ) is an integrated cup anemometer and wind vane. The anemometer consists of three cups that sense the wind speed. These cups rotate on a vertical shaft that magnetically activates a sealed reed switch. The reed switch opens and closes at a rate proportional to wind speed. The wind direction is sensed by a vane. The vane drives a 10 kΩ potentiometer. The wind speed sensor outputs a pulse. The wind direction sensor outputs a voltage.

#### 4.4.1.2 Wiring

The 034B-LQ attaches to the connector labeled WS/WD; this connector is color coded red. The sensor is internally wired from the RAWS connector panel to the CR1000 datalogger.

**TABLE 4-4. WS/WD Connector (color coded red)**

Connector Pin	Description	CR1000 Terminal
A	Sensor Ground	
B	Wind Direction Excitation	VX2
C	Wind Direction Signal	2H
D	Power Ground	G
E	+12 V Power	12V
F	Wind Speed Signal	P1

#### 4.4.1.3 Troubleshooting

If a problem is suspected, check the sensor cable. Disconnect the connector and look for damaged pins. Verify free movement of the cup anemometer and wind vane. Try connecting a substitute sensor. Obtain an RMA number before returning this sensor to Campbell Scientific for repair.

---

**NOTE** Consult the 034B-L manual for more information.

---

## 4.4.2 2-D WindSonic

### 4.4.2.1 General Description

The Gill Instruments 2-D Sonic Wind Sensor (pn WindSonic4-LQ) is an ultrasonic anemometer for measuring wind direction and wind speed. It uses two pairs of orthogonally oriented transducers to sense the horizontal wind. The transducers bounce the ultrasonic signal from a hood, minimizing the effects of transducer shadowing and flow distortion. The 2-D Sonic Wind Sensor makes wind measurements at a frequency of 1 Hz and outputs a SDI-12 signal to the datalogger.

### 4.4.2.2 Wiring

The WindSonic4-LQ attaches to the connector labeled SDI-12; this connector is color coded red. The sensor is internally wired from the RAWS connector panel to the CR1000 datalogger.

<b>Connector Pin</b>	<b>Description</b>	<b>CR1000 Terminal</b>
A	SDI-12 Signal	C7
B	12 V	12V
C	Power Ground	G

### 4.4.2.3 Troubleshooting

If a problem is suspected, check the sensor cable. Disconnect the connector and look for damaged pins. Try connecting a substitute sensor. Should the 2-D sonic sensor be damaged, fails to output data, or sends a nonzero diagnostic, obtain an RMA number before returning this sensor to Campbell Scientific for repair.

---

**NOTE** Consult the WINDSONIC4-L manual for more information.

---

## 4.5 Barometric Pressure

### 4.5.1 General Description

The Setra Barometric Pressure Sensor (pn CS100-QD) is a capacitive pressure transducer that uses Setra's electrical capacitor technology for barometric pressure measurements over the 600 to 1100 millibar range. The CS100 is supplied in the triggered mode, in which the datalogger switches 12 Vdc power to the barometer before the measurement. The datalogger then powers down the barometer after the measurement to conserve power.

## 4.5.2 Wiring

The CS100 is mounted inside the RAWS environmental enclosure and the sensor wires are attached to the CR1000 printed circuit board wiring panel.

TABLE 4-6. CS100-QD Wiring	
CS100 Wire Color	CR1000 Terminal
Blue	5L
Yellow	⊕
Red	12V
Clear	G
Black	G
Green	C4

---

**CAUTION** The CS100 is sensitive to static when the back plate is removed. To avoid damage, take adequate anti-static measures when handling this sensor.

---

## 4.5.3 Troubleshooting

If a problem is suspected, verify the sensor wires are securely fastened to the CS100 Barometric Pressure Sensor connector and the CR1000 printed circuit board wiring panel. Use a DVM to check the sensor output voltage on the CR1000 printed circuit board wiring panel (0 to 2.5 Vdc) between terminals 5H and AG.

---

**NOTE** For the DVM test, “temporarily” move the green wire from “C4” to “5V” terminal. No voltage indicates a problem with the sensor or a bad sensor cable connection. Try connecting a substitute sensor.

---

Obtain an RMA number before returning this sensor to Campbell Scientific for repair.

---

**NOTE** Consult the CS100 manual for more information.

---

## 4.6 Fuel Moisture and Fuel Temperature

### 4.6.1 General Description


The CS516-LQ Fuel Moisture/Fuel Temperature Sensor consists of the CS506 Fuel Moisture Probe, 26601 Fuel Moisture Stick, CS205 Fuel Temperature Stick, and 107 thermistor mounted on the 26817 Mounting Stake. The fuel moisture probe provides the moisture content of a standard 10-hour fuel moisture dowel. This moisture represents the moisture content of small-diameter (10-hour time lag) forest fuels. The fuel temperature probe consists

of a Ponderosa pine dowel with a bored hole and a Model 107 Temperature Probe inserted into the dowel. The CS205 mounts on the mounting stake with the CS506.

### 4.6.2 Wiring

The CS516-LQ has one connector that attaches to the RAWS connector labeled FM/FT. The FM/FT connector is color coded brown. This sensor is internally wired from the RAWS connector panel to the CR1000.

**TABLE 4-7. FM/FT Connector (color coded brown)**

Connector Pin	Description	CR1000 Terminal
A	CS205 Temperature Signal	4L
B	Sensor Ground	
C	CS205 Temperature Excitation	VX1
D	CS506 FM Enable	C8
E	CS506 FM Signal	4H
F	CS506 FM 12 V	12V

### 4.6.3 Troubleshooting

If a problem is suspected, check the sensor cable. Disconnect the connector and look for damaged pins. Verify the CS506 sensor element is securely fastened. Try connecting a substitute sensor. Obtain an RMA number before returning the CS516-LQ sensor to Campbell Scientific for repair.

---

**NOTE** Consult the CS506-L, CS205 and 107-L manuals for more information.

---

## 5. Equipment Wiring and Troubleshooting

### 5.1 Solar Panels

#### 5.1.1 General Description

The solar panel is a photovoltaic power source used for charging lead acid batteries. The SP20-LQ 20 watt solar panel is used for system configurations that have higher-than-average power requirements. It is also recommended for use at higher elevations and latitudes. The solar panel should be mounted facing the equator.

The SP10-LQ 10 watt solar panel is recommended for a RAWS where NO communication equipment is used. The SP20-LQ 20 watt solar panel is recommended for a RAWS where communication equipment is used (for example, GOES, voice, cell phone, or radio).

---

**NOTE** The solar panel selected for the RAWS depends on the station power requirements, specifically the communication equipment selected for the station.

---

The SP10-LQ solar panel outputs 0.59 Amps, 8.9 Watts typical peak power.

The SP20-LQ solar panel outputs 1.17 Amps, 18 Watts typical peak power.

## 5.1.2 Wiring

The solar panel attaches to the connector panel labeled “BATT CHARGER/SOLAR PANEL”. Inside the RAWS environmental enclosure the “BATT CHARGER/SOLAR PANEL” connector pin A and pin B are wired to the CH100’s “CHG” and “CHG” ports. Polarity does not matter; either lead can be connected to either terminal. The CH100 has two functions: blocking any current flow from the battery to the solar panel, and limiting the source current to the battery.

## 5.1.3 Troubleshooting

If a problem with the solar panel is suspected, the solar panel may be checked by measuring the voltage output from the solar panel. Check the voltage with a voltmeter connected between the two leads going to the CH100 charger/regulator “CHG” “CHG” terminals located inside the environmental enclosure (15 Vdc to 28 Vdc). There must be solar radiation incident on the panel and there must be a load connected to the solar panel. The load can be the datalogger, other equipment, or a 75 ohm resistor capable of dissipating solar panel power between the two leads. No voltage output implies a bad solar panel, regulator, or cable. The magnitude of the voltage output depends on the incident solar radiation. Check the sensor cable. Disconnect the connector and look for damaged pins. Try connecting a substitute panel. Obtain an RMA number before returning the SP10/20-LQ to Campbell Scientific for repair.

---

**NOTE** Consult the SP10, SP10R, SP20, and SP20R Solar Panels manual for more information.

---

## 5.2 Charger/Regulator

### 5.2.1 General Description

The 12 volt charger/regulator (pn CH100) is a charging regulator for 12 V rechargeable batteries. The CH100 is connected to an external charging source such as an unregulated solar panel (pn SP20-LQ or SP10-LQ) or a wall charger (pn 29796). The CH100 has two functions: blocking any current flow from the battery to the solar panel, and limiting the source current to the battery.



FIGURE 5-1. 12 volt charger/regulator

### 5.2.2 Wiring

The leads from the RAWS connector panel “BATT CHARGER/SOLAR PANEL” connector COLOR CODED PURPLE are wired to the CH100 “CHG” terminals. Polarity does not matter; either lead can be connected to either terminal. The charge indicating diode should be “ON” when voltage to the charging circuitry (CHG Terminals) is present.

An internal and/or external battery can be connected to the CH100 by means of the INT (Internal) or EXT (External) connectors. The battery red lead connects to the positive battery terminal and the black lead connects to the negative terminal.

---

**NOTE**

An “external battery cable” (pn 6186) ships with the RAWS-P.

---

Connect 12 V power to the datalogger and/or peripherals using the “+12 and Ground” terminals. The ON-OFF switch applies power to these 12 V terminals.

---

**WARNING**

**Reversal of battery polarity will damage the CH100 or battery.**

---

**CAUTION**

A battery must be attached for the CH100 to function correctly as a power supply.

---

**CAUTION**

It is possible to leave two batteries connected. The battery connections are diode isolated; however, if one of the batteries fails, it could draw all the charging current and the other battery will be discharged.

---

### 5.2.3 Troubleshooting

If a problem is suspected, the CH100 may be checked by measuring:

- input voltage between the two CHG terminals. From a solar panel, the voltage should be 15 to 28 Vdc. From the standard wall charger (pn 29796), the voltage should be 24 Vdc.
- charging output voltage (BATT INT or EXT terminal) with battery disconnected about 13.5 to 14 Vdc
- power out (+12 terminals) about 11 to 14 Vdc

No voltage output implies a bad solar panel, regulator, or battery. If problems persist, try a substitute. Obtain an RMA number before returning this equipment to Campbell Scientific for repair.

---

**NOTE** Power out (+12 terminals) is controlled by the CH100 ON-OFF switch position.

---



---

**NOTE** Consult the CH100 manual for more information.

---

## 5.3 Battery

### 5.3.1 General Description

The RAWS battery is a rechargeable 12 volt battery. The battery requires a regulated charging source provided by the CH100 connected to an unregulated solar panel or a wall charger.

---

**WARNING** **RAWS rechargeable batteries are designed to be float charged. Permanent damage occurs and battery life is shortened if the battery is allowed to discharge below 10.5 volts.**

---

### 5.3.2 Wiring

The RAWS rechargeable battery should be connected to the CH100's INT (Internal) connector. The battery red lead connects to the positive battery terminal and the black lead connects to the negative terminal. If desired, an external battery can be connected to the CH100's EXT (External) connector. An external battery cable (pn 6186) ships with the RAWS.

---

**WARNING** **Reversal of battery polarity will damage the CH100 or battery.**

---



---

**CAUTION** It is possible to leave two batteries connected. The battery connections are diode isolated; however, if one of the batteries fails, it could draw all the charging current and the other battery will be discharged.

---

### 5.3.3 Troubleshooting

If a problem is suspected, measure the +12 V and Ground terminal on the CR1000 printed circuit board wiring panel. Acceptable readings are +11 to +14 Vdc. Use PC200W software to collect the 1-HR data table from the CR1000 and review the historical record of battery voltage.

## 5.4 GOES Transmitter

### 5.4.1 General Description

The High Data Rate GOES Transmitter (pn TX320) shown in FIGURE 5-2 supports one-way communication, via satellite, from a Campbell Scientific datalogger to a ground receiving station. Satellite telemetry offers a convenient communication alternative for field stations where phone systems or RF systems are impractical or rendered unreliable after a tragedy to the local infrastructure. Data transmission rates of 100, 300, and 1200 bps are supported. Because clock accuracy is critical for GOES satellite telemetry, the TX320 includes a robust, TCXO-based real-time clock and a GPS receiver.

The TX320 has two siting requirements for proper operation. The GOES antenna must have a clear view of the spacecraft. The GOES antenna is directional and should be aimed at the spacecraft; both elevation and azimuth are unique to the location of the planet and must be set. A poorly aimed antenna will cause a drop in signal strength or possibly prevent successful transmission.

For more information on the TX320 and antenna siting, go to our website at [www.campbellsci.com](http://www.campbellsci.com), enter the “TX320” in the “Search” box, and go to the equipment manual. The TX320 manual is also provided on the ResourceDVD which ships with the RAWS-P.

---

**NOTE**

The spacecraft specific DCP-Setup parameters for the GOES transmitter must be entered in the CR1000KD menus for the TX320 to work properly.

---



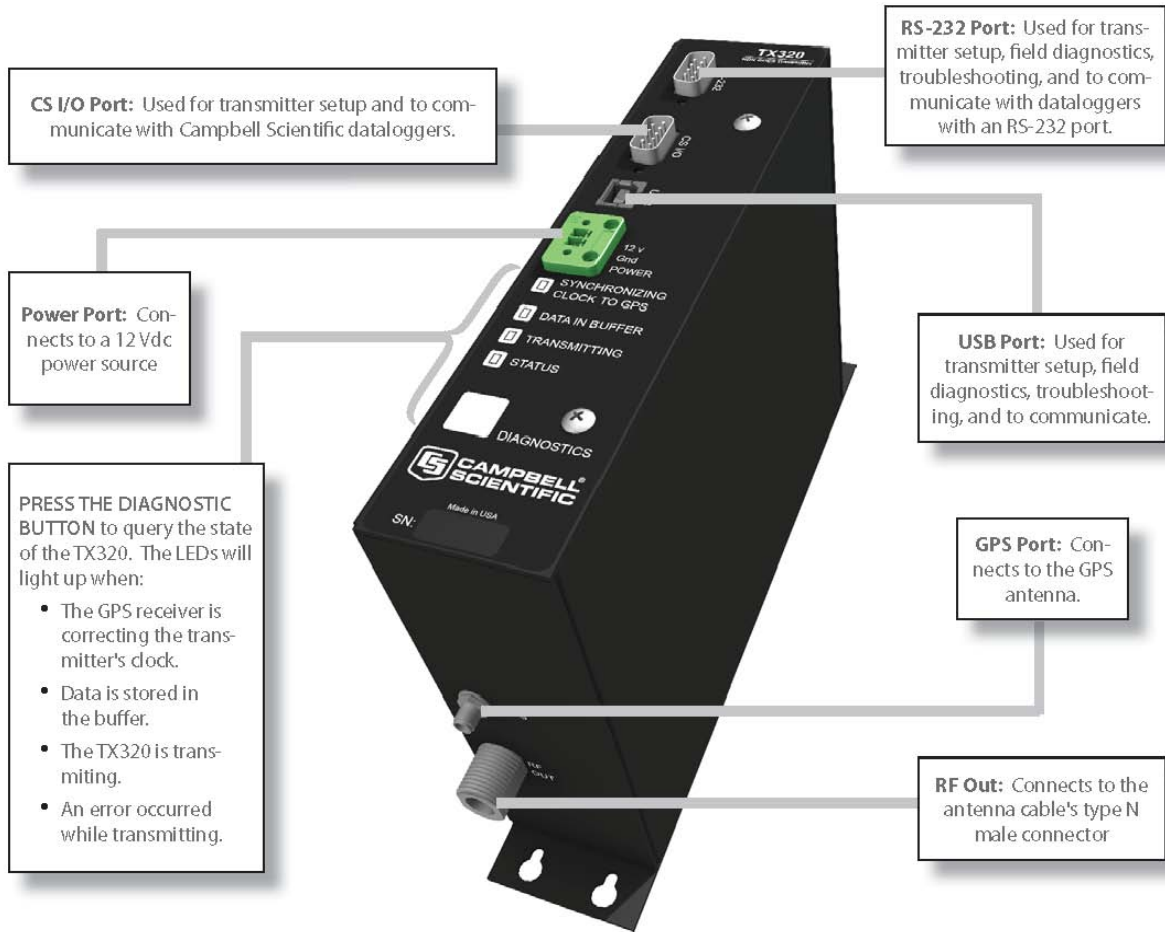


FIGURE 5-2. GOES transmitter

### 5.4.2 Wiring

The TX320 is mounted inside the RAWS environmental enclosure and the transmitter connections are described below.

TABLE 5-1. GOES Transmitter Connections	
TX320 Connector	Connects to
CS I/O	CR1000 CS I/O port via SC12 cable (shipped with the RAWS-P)
GPS	GPS antenna cable
RF Out	GOES antenna cable
Green Power Port	Battery Cable Junction Connector

### 5.4.3 Troubleshooting

If a problem is suspected, the TX320 may be checked by measuring the +12 V and Ground terminal on the CR1000 PC-board wiring panel. Acceptable readings are +11 to +14 Vdc. Check the SC12 cable connection between the CR1000 wiring panel and the TX320. Press the TX320 diagnostic button to query the state of the transmitter. If problems persist, try a substitute. Obtain an RMA number before returning this equipment to Campbell Scientific for repair.

---

**NOTE** Consult the TX320 manual for more information.

---

## 5.5 CR1000 Keyboard/Display

### 5.5.1 General Description

The CR1000 Keyboard/Display (pn CR1000KD) shown in FIGURE 5-3 is used to check datalogger status, to display or plot sensor readings and stored values, to enter numeric data, or to change port/flag state. The CR1000KD is powered from the CR1000 printed circuit board “CS I/O” connector via a standard 9-pin serial cable (pn 10873) that ships with the RAWS.

---

**NOTE** Use the CR1000KD menus to enter GOES DCP-Setup Parameters and to select the wind speed/direction sensor on the RAWS.

---



FIGURE 5-3. CR1000 keyboard/display

## 5.5.2 Wiring

The CR1000 Keyboard/Display (pn CR1000KD) connects to the CR1000 PC board “CSI/O” 9-Pin connector using a standard serial cable (pn 10873) that ships with the RAWS.

## 5.5.3 Troubleshooting

If a problem with the CR1000 Keyboard/Display is suspected, the CR1000KD may be checked by connecting the CR1000KD to the CR1000 PC board 9-Pin “CS I/O” connector using our 9-pin serial cable (pn 10873). The CR1000KD display should be visible. Check the CH100’s ON-OFF switch. If the display is not visible, check the CR1000 wiring panel for 12 volt power. If the CR1000 is unresponsive to CR1000KD key strokes, there might be a problem with the CR1000 datalogger. If problems persist, try a substitute. Obtain an RMA number before returning this equipment to Campbell Scientific for repair.

---

**NOTE** Consult the CR1000 manual for more information.

---

## 5.6 CR1000 Datalogger

### 5.6.1 General Description

The CR1000 shown in FIGURE 5-4 provides sensor measurement, timekeeping, data reduction, data/program storage, and control functions. The CR1000 includes 2 Mbytes of memory for data and program storage. A lithium battery backs up the RAM and real-time clock. The CR1000 also suspends execution when primary power drops below 9.6 V, reducing the possibility of inaccurate measurements.

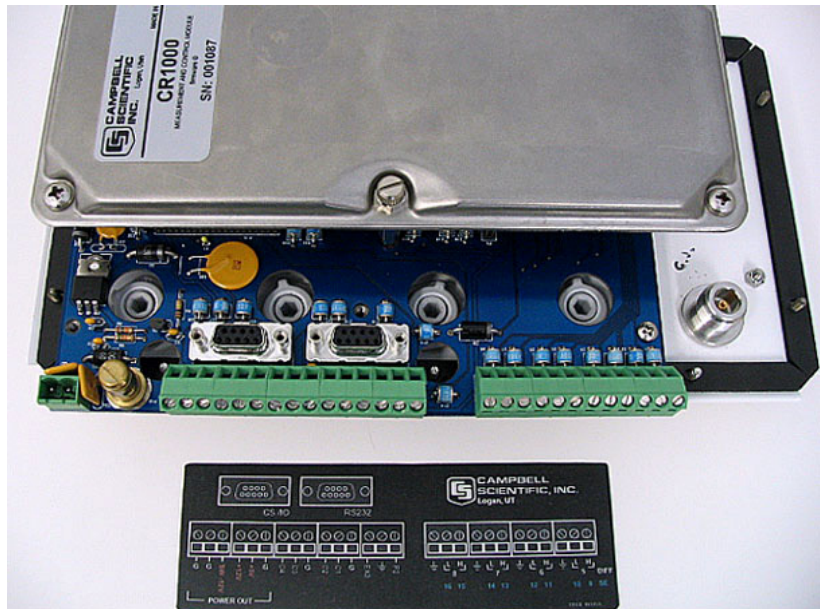


FIGURE 5-4. CR1000 and printed circuit wiring panel

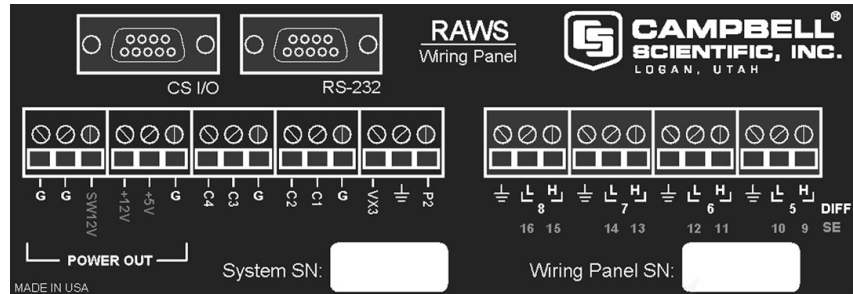


FIGURE 5-5. Printed circuit board wiring panel connector ID

## 5.6.2 Wiring

The CR1000 is mounted inside the RAWS environmental enclosure and fastened to the CR1000 printed circuit board wiring panel; connect 12 V power to the CR1000 printed circuit board wiring panel green power connector. The CH100’s ON-OFF switch applies power to the 12 V terminals.

## 5.6.3 Troubleshooting

If a problem is suspected, the CR1000 may be checked by connecting the CR1000KD to the CR1000 printed circuit board 9-Pin “CSI/O” connector using our 9-pin serial cable (pn 10873). The CR1000KD display should be visible. If the display is not visible, check the CR1000 printed circuit board for 12 volt power. If the CR1000 is unresponsive to CR1000KD key strokes, there might be a problem with the CR1000 datalogger. If problems persist, try a substitute. Contact a Campbell Scientific applications engineer for assistance. Obtain an RMA number before returning this equipment to Campbell Scientific for repair.

**NOTE**

Consult the CR1000 manual for more information.

## 6. Desiccant

A humidity indicator card and desiccant packs are provided with the weather station. Place the humidity indicator card and 2 ea. desiccant packs inside the enclosure. Desiccant packets inside the enclosure should be replaced with fresh packets when the upper dot on the indicator begins to turn pink. The indicator tab does not need to be replaced unless the colored circles overrun. A humidity indicator card (pn 28878) and desiccant pack (pn 4905) may be ordered through Campbell Scientific. Desiccant packs inside of the datalogger do not require replacement under normal conditions.

## 7. Sensor and Equipment Maintenance

Proper maintenance of weather station components is essential to obtain accurate data. Equipment must be in good operating condition, which requires a program of regular inspection and maintenance. Routine and simple maintenance can be accomplished by the person in charge of the weather station. More difficult maintenance, such as sensor calibration, sensor

performance testing (for example, bearing torque), and sensor component replacement, generally requires sending the instrument to Campbell Scientific. A station log should be maintained for each weather station that includes equipment model and serial numbers and maintenance that was performed.

---

**NOTE** Consult the equipment manual for routine maintenance procedures.

---



---

**NOTE** Contact Campbell Scientific, phone (435) 227-9000, for an RMA number before returning sensor or equipment for service.

---

## 8. References

General guidelines for site selection are listed below.

EPA, (1987): *On-Site Meteorological Program Guidance for Regulatory Modeling Applications*, EPA-450/4-87-013, Office of Air Quality Planning and Standards, Research Triangle Park, NC, 27711.

WMO, (1983): *Guide to Meteorological Instruments and Methods of Observation*, World Meteorological Organization, No. 8, 5th edition, Geneva, Switzerland.

The State Climatologist, (1985): *Publication of the American Association of State Climatologists: Height and Exposure Standards, for Sensors on Automated Weather Stations*, vol. 9, No. 4.

EPA, (1989): *Quality Assurance Handbook for Air Pollution Measurement Systems*, EPA Office of Research and Development, Research Triangle Park, North Carolina 27711.

## 9. RAWS Orientation

### 9.1 Determining True North and Sensor Orientation

Orientation of the wind direction sensor is done after the datalogger has been programmed and the location of True North has been determined. True North is usually found by reading a magnetic compass and applying the site-specific correction for magnetic declination; where the magnetic declination is the number of degrees between True North and Magnetic North. Magnetic declination for a specific site can be obtained from a USGS map, local airport, or through the web calculator offered by the USGS (Section 9.2, *USGS Web Calculator*). A general map showing magnetic declination for the contiguous United States is shown in FIGURE 9-1.

Declination angles are always subtracted from the compass reading to find True North. A declination angle east of True North is reported as positive a value and is subtracted from 360 (0) degrees to find True North as shown FIGURE 9-2. A declination angle west of True North is reported as a negative value and is also subtracted from 0 (360) degrees to find True North as shown

in FIGURE 9-3. Note that when a negative number is subtracted from a positive number, the resulting arithmetic operation is addition.

For example, the declination for Longmont, CO is  $10.1^\circ$ , thus True North is  $360^\circ - 10.1^\circ$ , or  $349.9^\circ$  as read on a compass. Likewise, the declination for Mc Henry, IL is  $-2.6^\circ$ , and True North is  $0^\circ - (-2.6^\circ)$ , or  $2.6^\circ$  as read on a compass.

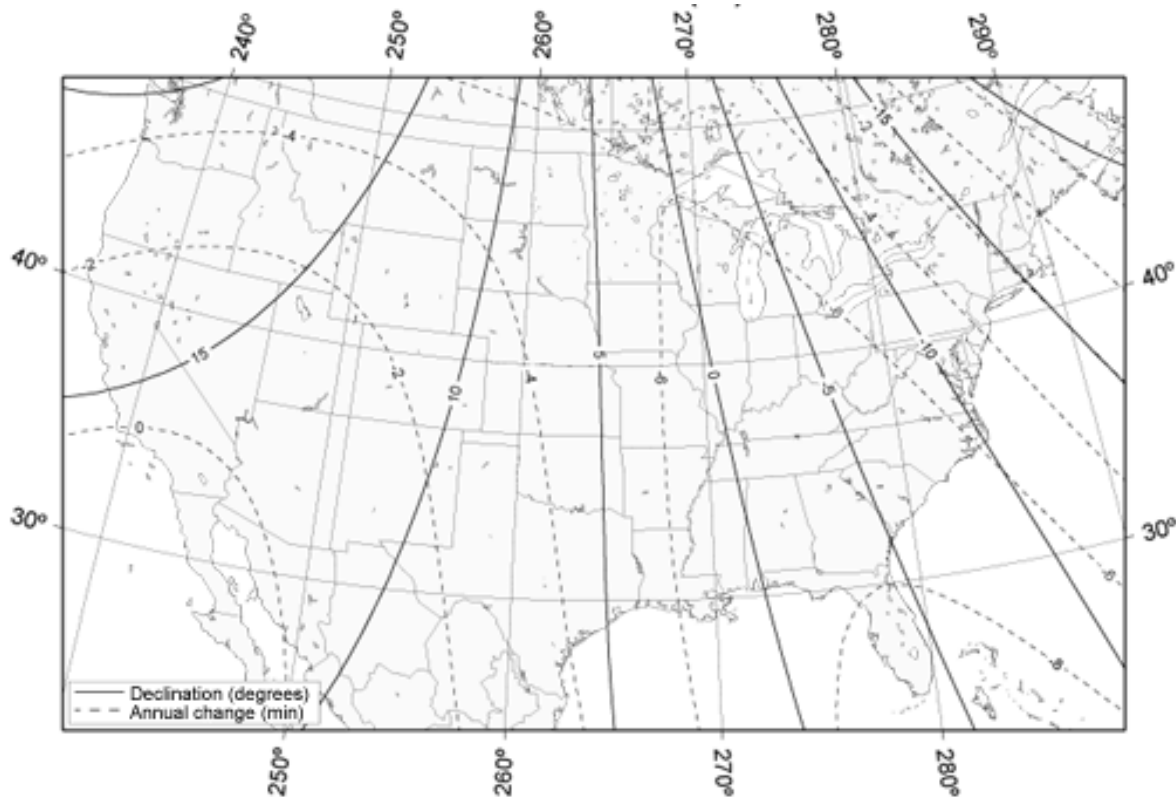


FIGURE 9-1. Magnetic declination for the contiguous United States

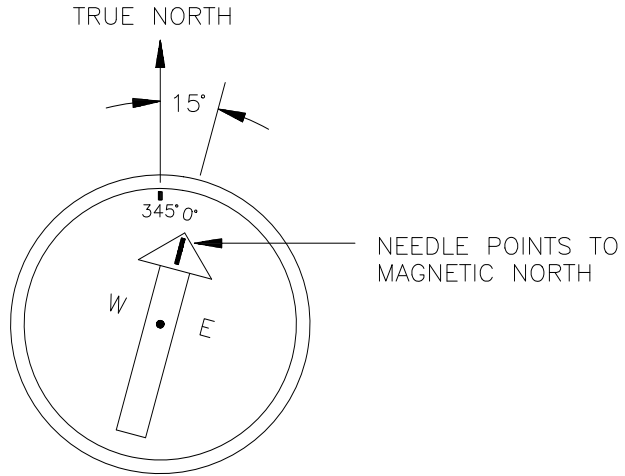


FIGURE 9-2. A declination angle east of True North (positive) is subtracted from 360 (0) degrees to find True North

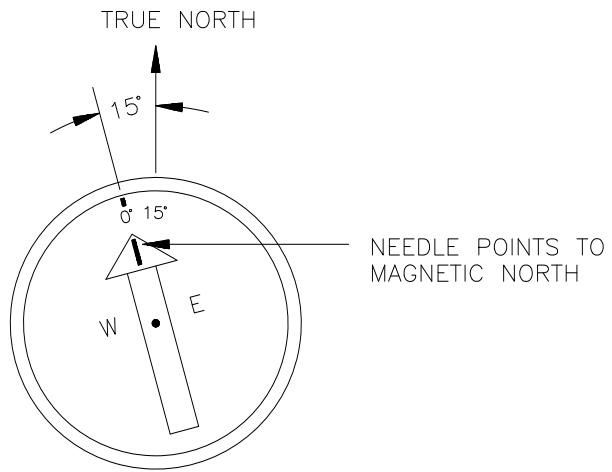


FIGURE 9-3. A declination angle west of True North (negative) is subtracted from 0 (360) degrees to find True North

## 9.2 USGS Web Calculator

The USGS provides an easy way of determining the declination of a specific site. Since magnetic declination fluctuates with time, it should be adjusted each time the wind sensor orientation is adjusted. The calculator can be accessed at: [www.ngdc.noaa.gov/geomagmodels/Declination.jsp](http://www.ngdc.noaa.gov/geomagmodels/Declination.jsp). FIGURE 9-4 shows an example for Logan, UT.

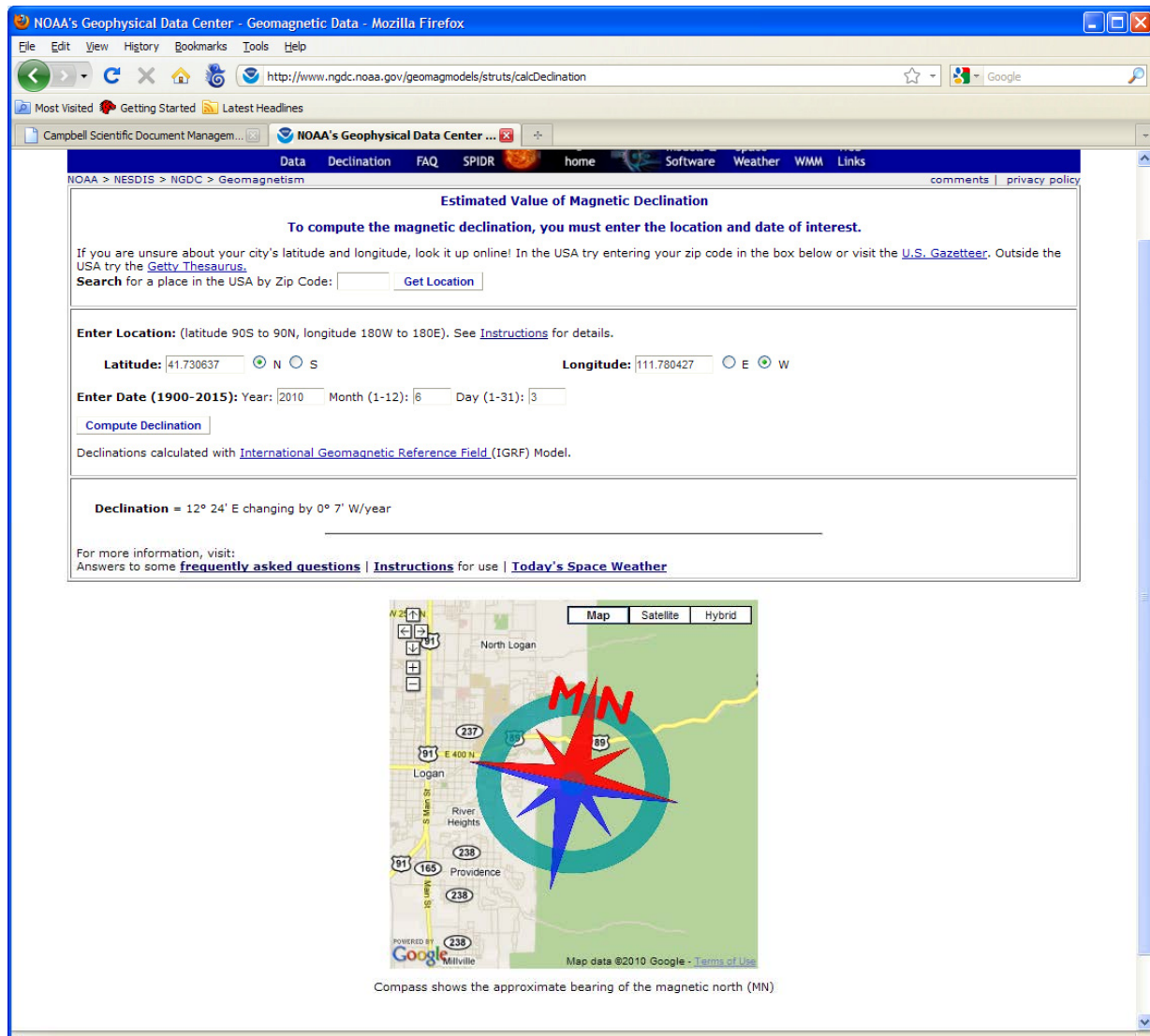


FIGURE 9-4. USGS web calculator

In the example above the declination for Logan, UT is 12° 24' or 12.4°. As shown in FIGURE 9-4, the declination for Utah is east (positive), so True North for this site is  $360 - 12.4 = 347.6$  degrees. The annual change is 7 minutes west per year or  $-7$  minutes/year.





## **Campbell Scientific Companies**

---

**Campbell Scientific, Inc. (CSI)**

815 West 1800 North  
Logan, Utah 84321  
UNITED STATES

[www.campbellsci.com](http://www.campbellsci.com) • [info@campbellsci.com](mailto:info@campbellsci.com)

**Campbell Scientific Africa Pty. Ltd. (CSAf)**

PO Box 2450  
Somerset West 7129  
SOUTH AFRICA

[www.csafrica.co.za](http://www.csafrica.co.za) • [cleroux@csafrica.co.za](mailto:cleroux@csafrica.co.za)

**Campbell Scientific Australia Pty. Ltd. (CSA)**

PO Box 8108  
Garbutt Post Shop QLD 4814  
AUSTRALIA

[www.campbellsci.com.au](http://www.campbellsci.com.au) • [info@campbellsci.com.au](mailto:info@campbellsci.com.au)

**Campbell Scientific do Brasil Ltda. (CSB)**

Rua Apinagés, nbr. 2018 – Perdizes  
CEP: 01258-00 – São Paulo – SP  
BRASIL

[www.campbellsci.com.br](http://www.campbellsci.com.br) • [vendas@campbellsci.com.br](mailto:vendas@campbellsci.com.br)

**Campbell Scientific Canada Corp. (CSC)**

14532 – 131 Avenue NW  
Edmonton AB T5L 4X4  
CANADA

[www.campbellsci.ca](http://www.campbellsci.ca) • [dataloggers@campbellsci.ca](mailto:dataloggers@campbellsci.ca)

**Campbell Scientific Centro Caribe S.A. (CSCC)**

300 N Cementerio, Edificio Breller  
Santo Domingo, Heredia 40305  
COSTA RICA

[www.campbellsci.cc](http://www.campbellsci.cc) • [info@campbellsci.cc](mailto:info@campbellsci.cc)

**Campbell Scientific Ltd. (CSL)**

Campbell Park  
80 Hathern Road  
Shepshed, Loughborough LE12 9GX  
UNITED KINGDOM

[www.campbellsci.co.uk](http://www.campbellsci.co.uk) • [sales@campbellsci.co.uk](mailto:sales@campbellsci.co.uk)

**Campbell Scientific Ltd. (CSL France)**

3 Avenue de la Division Leclerc  
92160 ANTONY  
FRANCE

[www.campbellsci.fr](http://www.campbellsci.fr) • [info@campbellsci.fr](mailto:info@campbellsci.fr)

**Campbell Scientific Ltd. (CSL Germany)**

Fahrenheitstraße 13  
28359 Bremen  
GERMANY

[www.campbellsci.de](http://www.campbellsci.de) • [info@campbellsci.de](mailto:info@campbellsci.de)

**Campbell Scientific Spain, S. L. (CSL Spain)**

Avda. Pompeu Fabra 7-9, local 1  
08024 Barcelona  
SPAIN

[www.campbellsci.es](http://www.campbellsci.es) • [info@campbellsci.es](mailto:info@campbellsci.es)