

EC150

CO₂/H₂O Open-Path
Gas Analyzer



Table of Contents

PDF viewers: These page numbers refer to the printed version of this document. Use the PDF reader bookmarks tab for links to specific sections.

1. Introduction	1
2. Precautions	1
3. Initial Inspection	2
4. Overview	2
4.1 General	2
4.2 Features	2
4.3 Gas Head Memory	3
4.4 Self-diagnostics and Data Integrity	3
4.5 Field Zero/Span Capabilities	3
4.6 EC100 Electronics Module	4
4.6.1 EC100 Communications and Control	4
4.6.2 EC100 Outputs	4
4.6.2.1 SDM Output	5
4.7 Automatic Heater Control	5
4.8 Theory of Operation	6
5. Specifications	7
5.1 Measurements	7
5.2 Output Signals	9
5.3 Physical Description	9
5.4 Power Requirements	10
6. Installation	10
6.1 Orientation	10
6.2 Mounting Analyzer to Support Hardware	10
6.2.1 Preparing the Mounting Structure	15
6.2.2 Mounting EC150 with Optional CSAT3A	15
6.2.3 Mounting EC150 without CSAT3A	18
6.2.4 Attaching EC100 Electronics Enclosure to Mounting Structure	19
6.2.5 Install the EC150 Temperature Probe	20
6.3 Wiring and Connections	21
6.3.1 Connecting the EC150 Gas Analyzer Head	22
6.3.2 Connect the CSAT3A Sonic Head	22
6.3.3 Connect the EC150 Temperature Probe	23
6.3.4 Ground the EC100 Electronics	23
6.3.5 Connect SDM Communications to the EC100	23
6.3.6 Wire Power and Ground the EC100	24
6.4 Data Collection and Data Processing	24
6.4.1 Data Collection and Processing with <i>EasyFlux DL</i>	25
6.4.2 Data Logger Programming with <i>CRBasic</i>	27

7. Zero and Span.....	27
7.1 Introduction.....	27
7.2 Zero-and-Span Procedure.....	28
8. Maintenance and Troubleshooting.....	32
8.1 Routine Site Maintenance	32
8.2 Gas Analyzer Wicks.....	33
8.3 Cleaning Analyzer Windows	34
8.4 Zero and Span	34
8.5 Replacing CO ₂ Scrubber Bottles	35
8.6 Factory Recalibration.....	36
8.7 Troubleshooting	37
8.7.1 Data Loss During Precipitation Events	37
8.7.2 EC100 Diagnostics for Gas Analyzer Troubleshooting.....	37
8.7.3 LED Status Lights.....	37
8.7.4 Diagnostic Flags.....	38

Appendices

A. EC150 Settings	A-1
A.1 Factory Defaults.....	A-1
A.2 Details	A-1
A.2.1 SDM Address.....	A-2
A.2.2 Bandwidth.....	A-2
A.2.3 Unprompted Output	A-2
A.2.4 Unprompted Output Rate	A-2
A.2.5 RS-485 Baud Rate.....	A-3
A.2.6 Analog Output.....	A-3
A.2.7 <i>ECMon</i> Update Rate	A-3
A.2.8 Temperature Sensor	A-3
A.2.9 Fixed Temperature Value.....	A-3
A.2.10 Pressure Sensor	A-4
A.2.10.1 Pressure Gain.....	A-6
A.2.10.2 Pressure Offset	A-6
A.2.10.3 Fixed Pressure Value.....	A-6
A.2.11 Pressure Differential Enable	A-6
A.2.12 Heater Control.....	A-7
A.2.13 Head Power Off	A-7
A.3 <i>ECMon</i>	A-7
A.4 <i>Device Configuration Utility</i>	A-9
A.5 EC100Configure() Instruction.....	A-9
A.5.1 ConfigCmd 11 Zero-and-Span Control.....	A-12
A.6 Example <i>CRBasic</i> Program.....	A-12
B. Filter Bandwidth and Time Delay.....	B-1
C. Alternate EC100 Outputs.....	C-1
C.1 USB or RS-485 Output	C-1
C.1.1 Specifications.....	C-1
C.1.2 Detailed Information	C-1
C.2 Analog Output.....	C-3

C.2.1	Specifications	C-3
C.2.2	Detailed Information	C-3
D.	CSAT3A Orientation	D-1
D.1	Determining True North and Sensor Orientation	D-1
D.2	Online Magnetic Declination Calculator.....	D-2
E.	Useful Equations	E-1
F.	Safety Data Sheets (SDS).....	F-1
F.1	Molecular Sieve, Type 13X	F-1
F.1	Magnesium Perchlorate.....	F-5
F.2	Decarbite	F-12
G.	Packing Information	G-1
G.1	EC150-GH Packing Information.....	G-1
G.2	EC150-SH Packing Information	G-2

Figures

4-1.	EC100 electronics module	4
5-1.	Optical path and envelope dimensions of EC150 analyzer head.....	10
6-1.	Three mounting bracket options for the EC150: (a) is for the EC150 head only, (b) is for the EC150 head with CSAT3A of serial numbers less than 2000, and (c) is for the EC150 head with CSAT3A serial numbers 2000 and greater.	11
6-2.	Changes in flux attenuation ratio relative to sensor height at the most fore and aft positions.....	12
6-3.	The most forward mounting position of the EC150 relative to the CSAT3A, resulting in a 4.9 cm sensor separation. The top images show the mounting with the current CSAT3A (CSAT3A serial numbers greater than 2000), while the bottom images show the mounting with the original version CSAT3A (serial numbers less than 2000).	13
6-4.	The most aft (back) mounting position of the EC150 relative to the CSAT3A, resulting in a spatial separation of 9.7 cm. The top images show the mounting with the current CSAT3A (CSAT3A serial numbers greater than 2000), while the bottom images show the mounting with the original version CSAT3A (serial numbers less than 2000).	14
6-5.	Exploded view of mounting CSAT3A and EC150 with mounting bracket 32065 (for CSAT3A with serial numbers 2000 and greater).....	16
6-6.	Exploded view of mounting CSAT3A and EC150 with mounting bracket 26786 (for CSAT3A with serial numbers less than 2000) .	17
6-7.	Exploded view of mounting the EC150 without the CSAT3A	18
6-8.	EC100 enclosure mounting bracket mounted on a vertical mast (left) and a tripod leg (right)	19
6-9.	Exploded view of mounting the EC100 enclosure	20
6-10.	EC150 temperature probe.....	21
6-11.	Solar radiation shield with EC150 temperature probe.....	21
6-12.	EC100 electronics front panel showing EC100 as shipped (left) and after completed wiring and connections (right)	21

6-13.	Bottom of EC100 enclosure	22
6-14.	Compass coordinate system, compass wind direction is 200°. The sonic azimuth of the anemometer is 270°	26
6-15.	Right-handed coordinate system, horizontal wind vector angle is 70°	27
7-1.	Zero-and-span shroud mounted on the zero-and-span stand	29
7-2.	ECMon zero-and-span window	30
8-1.	Proper location of the gas analyzer top wick (left) and bottom wick (right)	34
8-2.	Replacing the desiccant and CO ₂ scrubber bottles (replacement bottles purchased in or after July 2017 may appear different than in the figure).....	36
8-3.	LED status during normal operation	37
A-1.	Location of EC100 basic barometer.....	A-4
A-2.	Location of EC100 enhanced barometer	A-5
A-3.	Comparison of error in basic versus enhanced barometer over operational temperatures.....	A-5
A-4.	Main screen of ECMon	A-8
A-5.	Setup screen in ECMon.....	A-8
B-1.	Amplitude response of EC100 filter at various bandwidths.....	B-1
B-2.	Frequency response comparison of EC100 10-Hz bandwidth and a 50-msec moving average	B-2
C-1.	USB data output in terminal mode	C-2
D-1.	Magnetic declination for the contiguous United States (2015)	D-1
D-2.	Declination angles east of true north are subtracted from 360 to get true north.....	D-2
D-3.	Declination angles west of true north are added to 0 to get true north.....	D-2
D-4.	Online magnetic declination calculator with inputs and output for Logan, UT	D-3

Tables

6-1.	EC100 SDM Output.....	24
8-1.	Diagnostic Flags of Sonic Status LED	38
8-2.	Diagnostic Flags and Suggested Actions	39
A-1.	Factory Default Settings.....	A-1
A-2.	ConfigCmd Values for Setting and Retrieving Settings.....	A-10
B-1.	Filter Time Delays for Various Bandwidths	B-3
C-1.	USB and RS-485 Output Elements	C-1
C-2.	Multipliers and Offsets for Analog Outputs.....	C-4
E-1.	Variables and Constants.....	E-1

CRBasic Example

A-1.	CR3000 Example Program.....	A-12
------	-----------------------------	------

EC150 CO₂/H₂O Open-Path Gas Analyzer

1. Introduction

The EC150 is an in situ, open-path, mid-infrared absorption gas analyzer that measures the absolute densities of carbon dioxide and water vapor. The EC150 was designed for open-path eddy covariance flux measurements as part of an open-path eddy covariance measurement system. It is most often used in conjunction with the CSAT3A sonic anemometer and thermometer, which measures orthogonal wind components along with sonically determined air temperature.

Before attempting to assemble, install or use the EC150, please study:

- Section 2, *Precautions* (p. 1)
- Section 3, *Initial Inspection* (p. 2)
- Section 6, *Installation* (p. 10)

Greater detail is available in the remaining sections.

Other manuals that may be helpful include:

- *CR3000 Micrologger Operator's Manual*
- *CFM100 CompactFlash Module Instruction Manual*
- *NL115 Ethernet and CompactFlash Module Instruction Manual*
- *Application Note 3SM-F, PC/CF Card Information*
- *LoggerNet Instruction Manual, Version 4.1*
- *CSAT3 Three Dimensional Sonic Anemometer Manual*
- *ENC10/12, ENC12/14, ENC14/16, ENC16/18 Instruction Manual*
- *CM106 Tripod Instruction Manual*
- *Tripod Installation Manual Models CM110, CM115, CM120*

2. Precautions

- DANGER:
 - The scrubber bottles in EC150 instruments shipped prior to July 2017 contain sodium hydroxide (NaOH) and anhydrous magnesium perchlorate (Mg(ClO₄)₂). If you are handling or exchanging the scrubber bottles (see Section 8.5, *Replacing CO₂ Scrubber Bottles* (p. 35)), use the following precautions. Beginning in July 2017, EC150 instruments ship with a 13X molecular sieve instead.
 - Avoid direct contact with the chemicals.
 - Ensure your work area is well ventilated and free of reactive compounds and combustible materials.
 - Store used chemical bottles in a sealed container until disposal.
 - Dispose of chemicals and bottles properly.
 - Safety Data Sheets (SDS) are provided in Appendix F, *Safety Data Sheets (SDS)* (p. F-1). SDS are updated periodically by chemical manufacturers. Obtain current SDS at www.campbellsci.com.
- WARNING:
 - Do not carry the EC150 by the arms or the strut between the arms. Always hold it by the mounting base where the upper and lower arms connect.
 - Handle the EC150 carefully. The optical source may be damaged by rough handling, especially while the analyzer is powered.
 - Overtightening bolts will damage or deform the mounting hardware.

- CAUTION:
 - Grounding the EC100 measurement electronics is critical. Proper grounding to Earth will ensure maximum electrostatic discharge (ESD) and lightning protection and improve measurement accuracy.
 - Do not connect or disconnect the gas analyzer or sonic anemometer connectors while the EC100 is powered.
 - Resting the analyzer on its side during the zero-and-span procedure may result in measurement inaccuracy.

3. Initial Inspection

Upon receipt of your equipment, inspect the packaging and contents for damage. File damage claims with the shipping company.

Model numbers are found on each component. On cables, the model number is located both on the sensor head and on the connection end of the cable. Check this information against the enclosed shipping document to verify the expected products and that the correct accessories are included.

4. Overview

4.1 General

The EC150 measures absolute densities of carbon dioxide and water vapor. The EC150 analyzer was designed specifically for open-path, eddy covariance flux measurement systems. The EC150 gas analyzer head connects directly to Campbell Scientific's EC100 electronics. The EC150 is commonly used with a CSAT3A sonic anemometer head. When the CSAT3A is used in conjunction with the EC150, the EC100 can make gas and wind measurements simultaneously. Similarly, the EC100 can simultaneously record measurements from temperature sensors and a pressure transducer.

The EC150 analyzer has a rugged, aerodynamic design with low power requirements, making it suitable for field applications including those with remote access.

4.2 Features

The EC150 has been designed specifically to address issues of aerodynamics, power consumption, spatial displacement, temporal synchronicity, and to minimize sensitivity to environmental factors.

The analyzer windows are scratch resistant and treated with a durable hydrophobic coating that facilitates shedding of raindrops from critical surfaces. The coating also impedes the accumulation of dust and deposits, and keeps the surfaces cleaner over longer periods of time. To minimize data loss due to humid environments, the EC150 is provided with window wicks that draw moisture away from the measurement path and are easily replaceable during routine maintenance.

- Unique design contains little obstruction surrounding the sample volume
- 5 W total power consumption
- Synchronously samples data from the EC150 and CSAT3A
- Automatically configured via a Campbell Scientific data logger
- Minimal spatial displacement between sample volume and CSAT3A
- Slim housings located away from the measurement volume to minimize body heating effects due to solar radiation

- Symmetrical design for improved flux measurements without a bias for updrafts and downdrafts
- Slanted windows to prevent water from pooling and blocking the optical path
- Scratch-resistant windows for easy cleaning
- Hydrophobic coating on windows to repel water, dust and pollen and to prolong time between window cleaning
- Equipped with internal window heaters to keep the windows surfaces free from condensation and frost – especially beneficial in humid environments or conditions with frequent frost formation
- Optical layout that is not affected by solar interference
- Mercury cadmium telluride (MCT) detector for low-noise measurements and long-term stability of factory calibration
- Chopper housing without thermal control results in significantly reduced power consumption
- Any CSAT3A with serial numbers of 2000 or greater have an updated design with more rigid geometry for improved sonic-temperature accuracy and stability, and with a more stream-lined, aerodynamic mounting block

4.3 Gas Head Memory

The EC100 electronics (see Section 4.6, *EC100 Electronics Module (p. 4)*) are universal for the entire Campbell Scientific family of gas analyzer heads. In addition to the EC150 gas analyzer head, the IRGASON or EC155 gas analyzer head can be connected to the EC100 electronics (one gas analyzer head per EC100). All sensor heads have dedicated, non-volatile memory, which stores all calibration, configuration, and setting information. The EC100 electronics can be mated with any of these gas analyzers or an optional CSAT3A sonic anemometer head.

4.4 Self-diagnostics and Data Integrity

EC100 electronics provide an extensive set of diagnostic tools which include warning flags, status LEDs, and signal strength outputs to identify instrument malfunctions and warn the user of compromised data. These flags are further described in Section 8.7.4, *Diagnostic Flags (p. 38)*. The flags also prompt the user when the instrument needs servicing and can facilitate troubleshooting in the field. The EC150 outputs the optical strength of signals, which can be used to filter data when the path of the instrument is obstructed due to precipitation or dirty windows.

4.5 Field Zero/Span Capabilities

A zero/span for CO₂ and H₂O can be accomplished in the field with an optional shroud. The shroud allows the flow of a gas with known composition in the measurement path of the analyzer to account for instrument drift and changing environmental conditions.

4.6 EC100 Electronics Module

The EC100 electronics module (shown in FIGURE 4-1) controls the EC150 and optional CSAT3A sonic anemometer head. The EC100 synchronizes measurements and processes data from the EC150 and the CSAT3A.

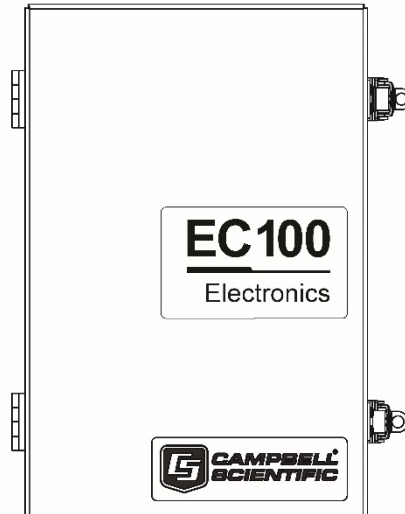


FIGURE 4-1. EC100 electronics module

4.6.1 EC100 Communications and Control

The EC100 supports several serial communication interfaces, including USB, RS-485, and Synchronous Device for Measurement (SDM). SDM is a Campbell Scientific communication protocol that allows synchronized measurement and rapid communication between a Campbell Scientific data logger and multiple devices including the EC150. Although nearly all Campbell Scientific data loggers support SDM, only the CR6, CR1000X, CR1000, CR3000, and CR5000 data loggers support communications with the EC100 electronics with the **EC100()** instruction.

The SDM protocol allows the user to configure and control the analyzer through *CRBasic* instructions in the data logger. For example, in solar-powered applications with limited daylight, battery power can be conserved by programming the data logger to turn off the EC150 at night or when conditions are not suitable for eddy-covariance measurements. The data logger can also be used to change settings such as bandwidth, and perform the zero/span procedure in the field.

4.6.2 EC100 Outputs

The EC100 outputs data in one of four types: SDM, USB, RS-485, or analog. In general, Campbell Scientific recommends that SDM be used if a Campbell Scientific data logger is collecting data. However, RS-485 output is recommended over SDM if cable lengths exceed 100 meters. If a computer is being used as the data collection platform, USB and RS-485 are suitable outputs.

Information for SDM, the preferred output, is detailed below. See Appendix C, *Alternate EC100 Outputs (p. C-1)*, for USB, RS-485, and analog outputs.

4.6.2.1 SDM Output

To use SDM data output, connect an SDM communications cable from the EC100 (see Section 6.3, *Wiring and Connections* (p. 21)) to an SDM port on a CR6, CR1000X, CR1000, CR3000, or CR5000 data logger. On CR1000 data loggers, the SDM port is made of terminals C1 – C3. The default SDM port for CR6 and CR1000X data loggers is made of terminals C1 – C3, though it can be changed with the **SDMBeginPort()** instruction. On CR3000 and CR5000 data loggers, the SDM protocol uses SDM-dedicated ports SDM-C1, SDM-C2, and SDM-C3.

Each SDM device on the SDM bus must have a unique address. The EC150 has a factory default SDM address of 1, but may be changed to any integer value between 0 and 14 (see Appendix A.2.1, *SDM Address* (p. A-2)).

The sample rate for SDM output is determined by the data logger program. Data are output from the EC100 when a request is received from the data logger (for example, a *prompted* output mode). The number of data values sent from the EC100 to the data logger is also set by the user in the data logger program. *CRBasic*, the programming language used by Campbell Scientific data loggers, uses the **EC100()** instruction to get data from an EC150. This instruction is explained in greater detail under Appendix A, *EC150 Settings* (p. A-1), and in Appendix A.5, *EC100 Configure() Instruction* (p. A-9).

4.7 Automatic Heater Control

An advantage of the EC150's low power consumption (5W) is that the instrument remains at a temperature very close to ambient air temperature, which is an important feature for eddy-covariance measurements. Under some environmental conditions, however, the analyzer can become colder than ambient air temperature which may increase the likelihood of frost or condensation building on the optical windows. This will affect signal strength. The EC150 design includes internal heaters located at the optical windows, which aid in minimizing data loss during these specific environmental conditions.

An automatic heater control algorithm can be activated from either *Device Configuration Utility* or *ECMon* by putting in a value of -2, or deactivated by putting in a value of -1.^{1/} The algorithm uses the internal heaters to maintain a temperature that is a couple of degrees above the ambient dewpoint (or frost point) to prevent condensation and icing from forming on the surface of the optical windows.

The heater control will be disabled under any of the following conditions:

- Temperature of the detector housing is outside the -35 to 55 °C range
- Temperature of the source housing exceeds 40 °C
- Ambient temperature is outside the -35 to 55 °C range
- The supply voltage is below 10 V

The algorithm uses the following environmental parameters to control the heater:

- Analyzer body temperature, measured inside the source housing (heater control does not allow the body temperature to drop below ambient air temperature)
- Ambient relative humidity (in humidity greater than 80% heaters will try to maintain internal temperature 2 degrees warmer than ambient)

^{1/} Automatic heater control is available in EC100 OS version 4.07 or greater and is turned on by default starting with the OPEC program version 3.2.

- CO₂ signal level (1 min average CO₂ signal level; below 0.7 will cause the heater to turn on maximum power until the signals recover)
- Average slope of the CO₂ signal level over 1 min
- Standard deviation of the CO₂ signal over 1 min

4.8 Theory of Operation

The EC150 is a non-dispersive mid-infrared absorption analyzer. Infrared radiation is generated in the upper arm of the analyzer head before propagating along a 15.0 cm (5.9 in) optical path as shown in FIGURE 5-1. Chemical species located within the optical beam will absorb radiation at characteristic frequencies. A mercury cadmium telluride (MCT) detector in the lower arm of the gas analyzer measures the decrease in radiation intensity due to absorption, which can then be related to analyte concentration using the Beer-Lambert Law:

$$P = P_o e^{-\epsilon cl}$$

where:

P = irradiance after passing through the optical path

P_o = initial irradiance, ϵ is molar absorptivity, c is analyte concentration, and l = path length.

In the EC150, radiation is generated by applying constant power to a tungsten lamp which acts as a 2200 K broadband radiation source. Specific wavelengths are then selected using interference filters located on a spinning chopper wheel. For CO₂ measurements, light with a wavelength of 4.3 μm is selected as that corresponds to the asymmetric stretching vibrational band of the CO₂ molecule. For H₂O, the symmetric stretching vibration band is 2.7 μm .

The EC150 is a dual wavelength, single-beam analyzer. This design eliminates the need for a separate reference cell and detector. Instead, the initial intensity of the radiation is calculated by measuring the intensity of nearby, non-absorbing wavelengths (4.0 μm for CO₂ and 2.3 μm for H₂O). These measurements mitigate measurement inaccuracy that may arise from source or detector aging, as well as for low-level window contamination. For window contamination that reduces the signal strength below 0.8, windows should be cleaned as described in Section 8.3, *Cleaning Analyzer Windows* (p. 34).

The chopper wheel spins at a rate of 60 revolutions per second and the detector is measured 1024 times per revolution, resulting in a detector sampling rate of 51.2 kHz. The detector is maintained at -40 °C using a three-stage thermoelectric cooler and is coupled to a low noise pre-amp module.

The EC100 electronics module digitizes and process the detector data (along with ancillary data such as ambient air temperature and barometric pressure) to give the CO₂ and H₂O density for each chopper wheel revolution (50 Hz). This high measurement rate is beneficial when there is a need to synchronize the gas measurements with additional sensors measured by the data logger. To prevent aliasing, measurements are filtered to a bandwidth that is specified by the user.

5. Specifications

5.1 Measurements

To compute carbon dioxide and water vapor fluxes using the eddy-covariance method, the EC150 and a sonic anemometer measure:

- Absolute carbon dioxide density ($\text{mg}\cdot\text{m}^{-3}$)
- Water vapor density ($\text{g}\cdot\text{m}^{-3}$)
- Three-dimensional wind speed ($\text{m}\cdot\text{s}^{-1}$; requires the CSAT3A)
- Sonic air temperature ($^{\circ}\text{C}$; requires the CSAT3A)
- Air temperature ($^{\circ}\text{C}$; requires an auxiliary temperature probe)
- Barometric pressure (kPa; requires an auxiliary barometer)

These measurements are required to compute carbon dioxide and water vapor fluxes using the:

- Standard outputs:
 - CO₂ density, H₂O density
 - Gas analyzer diagnostic flags
 - Air temperature
 - Air pressure
 - CO₂ signal strength
 - H₂O signal strength
- Additional outputs from auxiliary instruments:
 - u_x , u_y , and u_z orthogonal wind components (requires the CSAT3A)
 - Sonic temperature (requires the CSAT3A, and is based on the measurement of c , the speed of sound)
 - Sonic diagnostic flags (from the CSAT3A)

Data logger compatibility: CR6
CR1000X
CR1000
CR3000
CR5000

Measurement

Rate: 60 Hz
Output bandwidth^{2/}: 5, 10, 12.5, or 20 Hz
Output rate^{2/}: 10, 25 or 50 Hz

Operating temperature: -30 to 50 °C

Gas analyzer

Measurement precision^{3/}
CO₂ density: 0.2 mg CO₂·m⁻³ (0.15 μmol CO₂·mol⁻¹)
H₂O density: 0.004 g H₂O·m⁻³ (0.006 mmol H₂O·mol⁻¹)

^{2/} user selectable

^{3/} noise rms, assumes:

- 25 °C
- 85 kPa
- 14 g H₂O·m⁻³
- 597 mg CO₂·m⁻³
- 20 Hz bandwidth

Factory calibrated range	
CO ₂ :	0 to 1000 μmol CO ₂ ·mol ⁻¹
H ₂ O:	0 to 72 mmol H ₂ O/mol (37 °C dewpoint)
Temperature:	-30 to 50 °C
Barometric pressure:	70 to 106 kPa
CO₂ performance	
Zero max drift ^{4/} :	±0.55 mg CO ₂ ·m ⁻³ ·°C ⁻¹ (±0.3 μmol CO ₂ ·mol ⁻¹ ·°C ⁻¹)
Gain drift:	±0.1% of reading·°C ⁻¹ (maximum)
Sensitivity to H ₂ O:	±1.1 x 10 ⁻⁴ μmol CO ₂ ·mol ⁻¹ H ₂ O (max)
H₂O performance	
Zero max drift ^{4/} :	±0.04 g H ₂ O·m ⁻³ ·°C ⁻¹ (±0.05 mmol H ₂ O·mol ⁻¹ ·°C ⁻¹)
Gain drift:	±0.3% of reading·°C ⁻¹ (maximum)
Sensitivity to CO ₂ :	±0.1 mol H ₂ O·mol ⁻¹ CO ₂ (maximum)
CSAT3A sonic measurement precision^{5/}	
u _x :	1.0 mm·s ⁻¹
u _y :	1.0 mm·s ⁻¹
u _z :	0.5 mm·s ⁻¹
Sonic temperature:	0.025 °C
CSAT3A sonic accuracy^{6/}	
Offset error	
u _x , u _y :	< ±8 cm·s ⁻¹
u _z :	< ±4 cm·s ⁻¹
Gain error	
Wind vector ±5° horizontal:	< ±2% of reading
Wind vector ±10° horizontal:	< ±3% of reading
Wind vector ±20° horizontal:	< ±6% of reading
CSAT3 sonic reporting range	
Full scale wind:	±65.6 m/s
Sonic temperature:	-50 to 60 °C
Auxiliary sensors^{7/}	
Barometer	
Internal basic barometer	
Accuracy	
-30 to 0 °C:	±3.7 kPa at -30 °C, falling linearly to ±1.5 kPa at 0 °C
0 to 50 °C:	±1.5 kPa
Measurement rate:	10.0 Hz

^{4/} -30 to 50 °C

^{5/} noise rms

^{6/} assumes:

- -30 to 50 °C
- wind speed <30 m·s⁻¹
- azimuth angles between ±170°

^{7/} refer to manufacturer's product brochure or manual for details

Optional enhanced barometer

Manufacturer:	Vaisala
Model:	PTB110
Accuracy:	±0.15 kPa (–30 to 50 °C)
Measurement rate:	1.0 Hz

EC150 temperature sensor

Manufacturer:	BetaTherm
Model:	100K6A1A Thermistor
Accuracy:	±0.15 °C (–30 to 50 °C)

5.2 Output Signals

The EC100 electronics can output data from the EC150 by several means.

- Campbell Scientific SDM
- RS-485
- USB
- Analog out

Synchronous Device for Measurement communications protocol, or SDM, is a proprietary serial interface developed by Campbell Scientific for communication between a data logger and a peripheral or sensor. In almost all cases, SDM is the preferred communications protocol with the exception of measurement heights requiring cable lengths greater than 100 meters. In this case, RS-485 output is recommended. See Section 4.6.2.1, *SDM Output (p. 5)*, for details on SDM output, see Appendix C, *Alternate EC100 Outputs (p. C-1)*, for greater detail on RS-485, USB, or analog outputs.

SDM communications are output as the FLOAT data type.

5.3 Physical Description

Optical measurement path length: 15.37 cm (6.05 in)

Spatial separation from CSAT3A sampling volume: 5.0 cm (2.0 in)

Dimensions

Head housing diameter:	3.2 cm (1.3 in)
Head length:	29.7 cm (11.7 in)
EC100 enclosure:	24.1 cm x 35.6 cm x 14 cm (9.5 in x 14.0 in x 5.5 in)

Weight

Analyzer and cable:	2 kg (4.4 lbs)
EC100 electronics and EC100 enclosure:	3.2 kg (7.0 lbs)

Designed EC100 ingress protection rating: IP65 (not intended for marine environments)

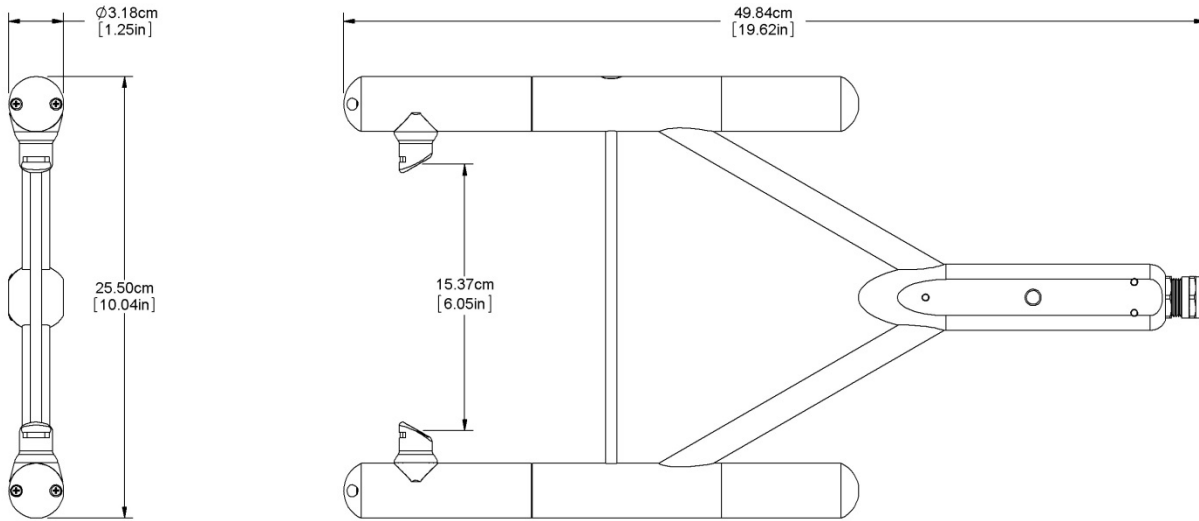


FIGURE 5-1. Optical path and envelope dimensions of EC150 analyzer head

5.4 Power Requirements

Voltage supply:	10 to 16 VDC
Power at 25 °C excluding CSAT3A:	4.1 W
Power at 25 °C including CSAT3A:	5.0 W
Power at 25 °C in power-down mode (CSAT3A fully powered and EC150 off):	3.0 W

6. Installation

6.1 Orientation

During operation, the EC150 should be positioned vertically ($\pm 15^\circ$) so that the product label reads right side up and the upper arm (source) is directly above the lower arm (detector). If the sensor is being used with a sonic anemometer, the anemometer should be leveled and pointed into the prevailing wind to minimize flow distortion from the analyzer's arms and other supporting structures.

For applications using the EC150 with the CSAT3A sonic anemometer, certain environmental conditions should be considered when choosing an appropriate installation configuration. If the EC150 is coupled with a CSAT3A sonic anemometer and is to be used in a marine environment, or in an environment where it is exposed to corrosive chemicals (for example, the sulfur-containing compounds in viticulture), attempt to mount the EC150 with CSAT3A in a way that reduces the exposure of the sonic transducers of the CSAT3A to saltwater or corrosive chemicals. In marine or viticulture environments, the sonic transducers are expected to age more quickly and require replacement sooner than a unit deployed in an inland, chemical-free environment.

6.2 Mounting Analyzer to Support Hardware

The EC150 is supplied with mounting hardware to attach it to the end of a horizontal pipe of 3.33 cm (1.31 in) outer diameter, such as the CM202, CM204, or CM206 crossarm.

There are three different mounting brackets for the EC150. The three mounting brackets are shown in FIGURE 6-1. A head only mounting bracket (a), the EC150/CSAT3A mounting bracket (b) that was shipped with any CSAT3A with a serial number of less than 2000, and a new EC150/CSAT3A mounting bracket (c) that ships with any CSAT3A with a serial number of 2000 or greater.

The CSAT3A sonic anemometer head is an option when ordering the EC150 and the appropriate mounting bracket is included with the EC150 depending on if the CSAT3A is ordered. If the user is already in possession of a CSAT3A and intends to use it with the EC150, the proper mounting bracket should be specified at time of order.

NOTE

The screws and bolts for either mounting bracket are easily lost in the field. Replacements are available through Campbell Scientific or can be sourced elsewhere. For the head only mounting bracket, use a screw #8-32 x 0.250 socket head and a screw 3/8-16 x 0.625 hex cap. To use the EC150/CSAT3A mounting bracket, use screw #8-32 x 0.250 shoulder cap and screw 3/8-16 x 0.625 hex cap. To use the new EC150/CSAT3A mounting bracket, use screw 1/4-20 X 0.375 cap socket and screw 3/8-16 x 0.625 hex cap.

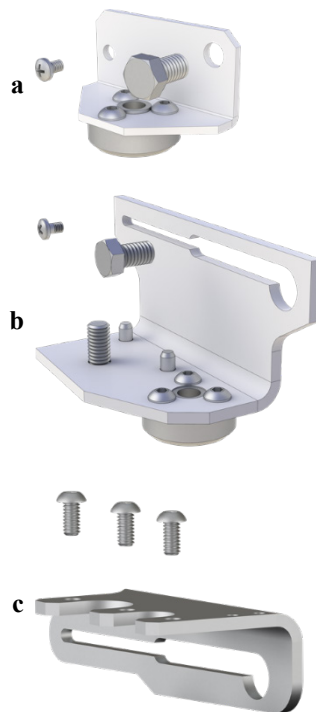


FIGURE 6-1. Three mounting bracket options for the EC150: (a) is for the EC150 head only, (b) is for the EC150 head with CSAT3A of serial numbers less than 2000, and (c) is for the EC150 head with CSAT3A serial numbers 2000 and greater.

The mounting brackets for the EC150 with CSAT3A, allow the EC150 optical path to have various spatial separation from the CSAT3A sonic volume. Depending on the position, the spatial separation can range from 5.0 cm in the EC150's most fore position

to 9.7 cm in the most aft position, as illustrated in FIGURES 6-3 and 6-4. This change in positioning allows a small but significant difference in the flux attenuation ratio.

The position of the EC150 relative to the CSAT3A should be determined by the end user based on the measurement of interest. For applications where spatial separation is of most importance, such as when the instrument is close to the ground, moving the EC150 in the most forward direction will yield the most collocated arrangement. For taller measurement applications and where flow distortion may be a measurement concern due to larger angles of attack and where spatial separation requirements become relaxed due to predominately larger eddies, the EC150 should be mounted in the most aft position. The effect of spatial separation on flux attenuation is greatest at lower measurement heights as shown in FIGURE 6-2. Contact Campbell Scientific to help determine the best positioning of the EC150 relative to the CSAT3A in scenarios where the measurement height is below 10 meters.

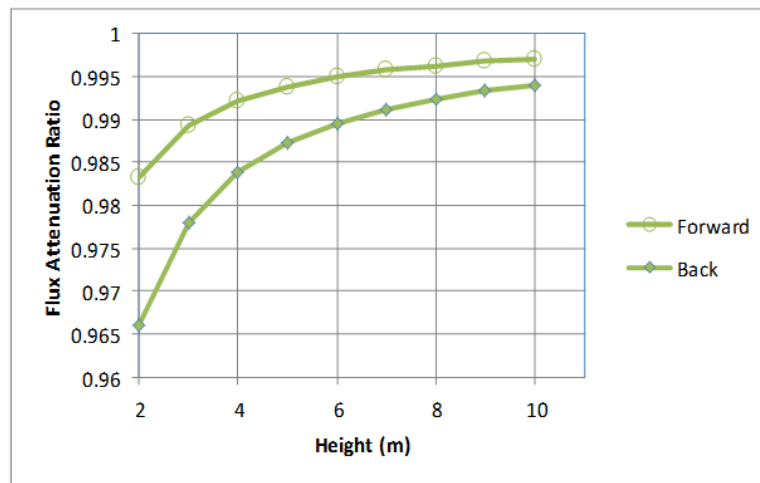


FIGURE 6-2. Changes in flux attenuation ratio relative to sensor height at the most fore and aft positions

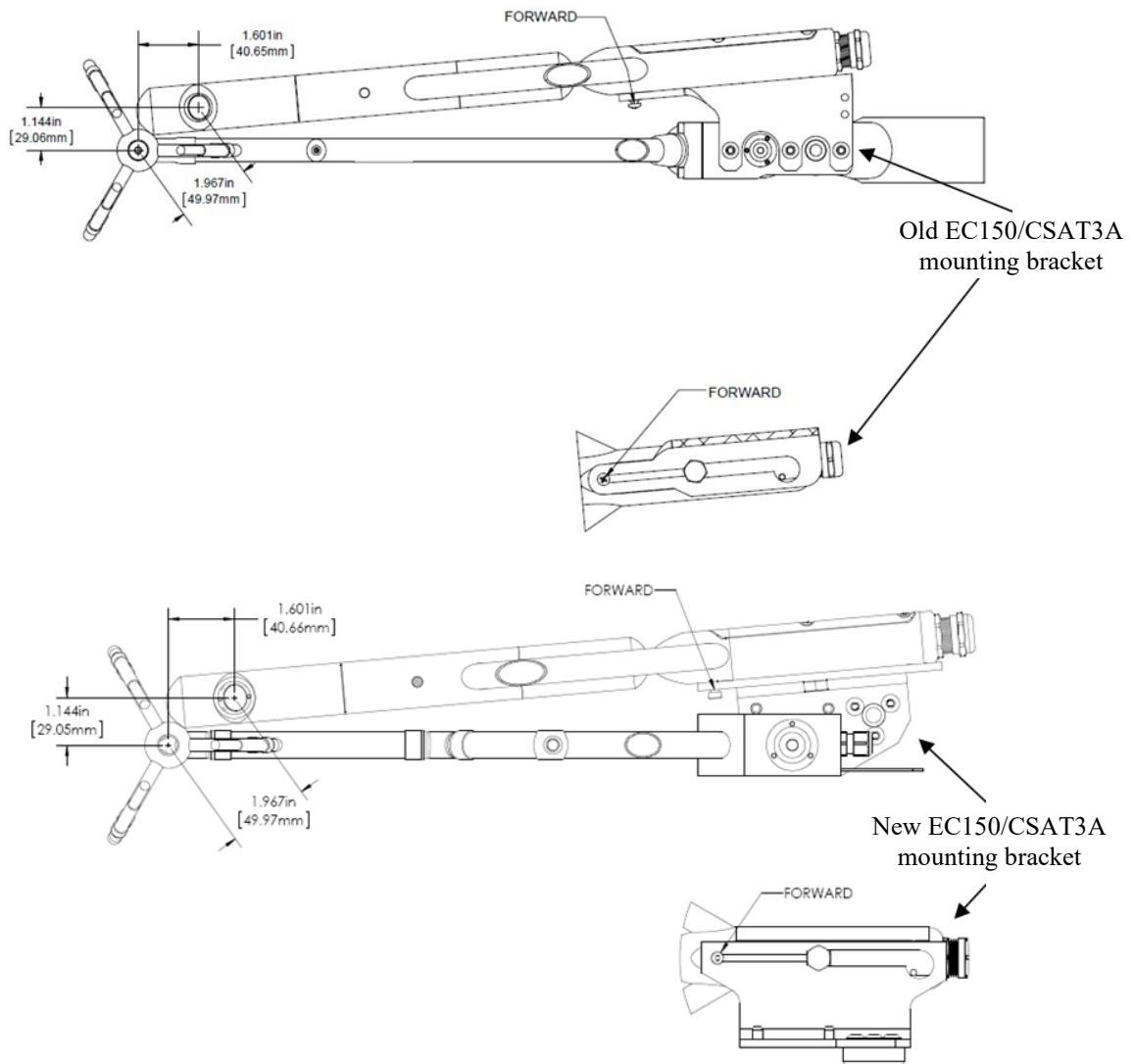


FIGURE 6-3. The most forward mounting position of the EC150 relative to the CSAT3A, resulting in a 4.9 cm sensor separation. The top images show the mounting with the current CSAT3A (CSAT3A serial numbers greater than 2000), while the bottom images show the mounting with the original version CSAT3A (serial numbers less than 2000).

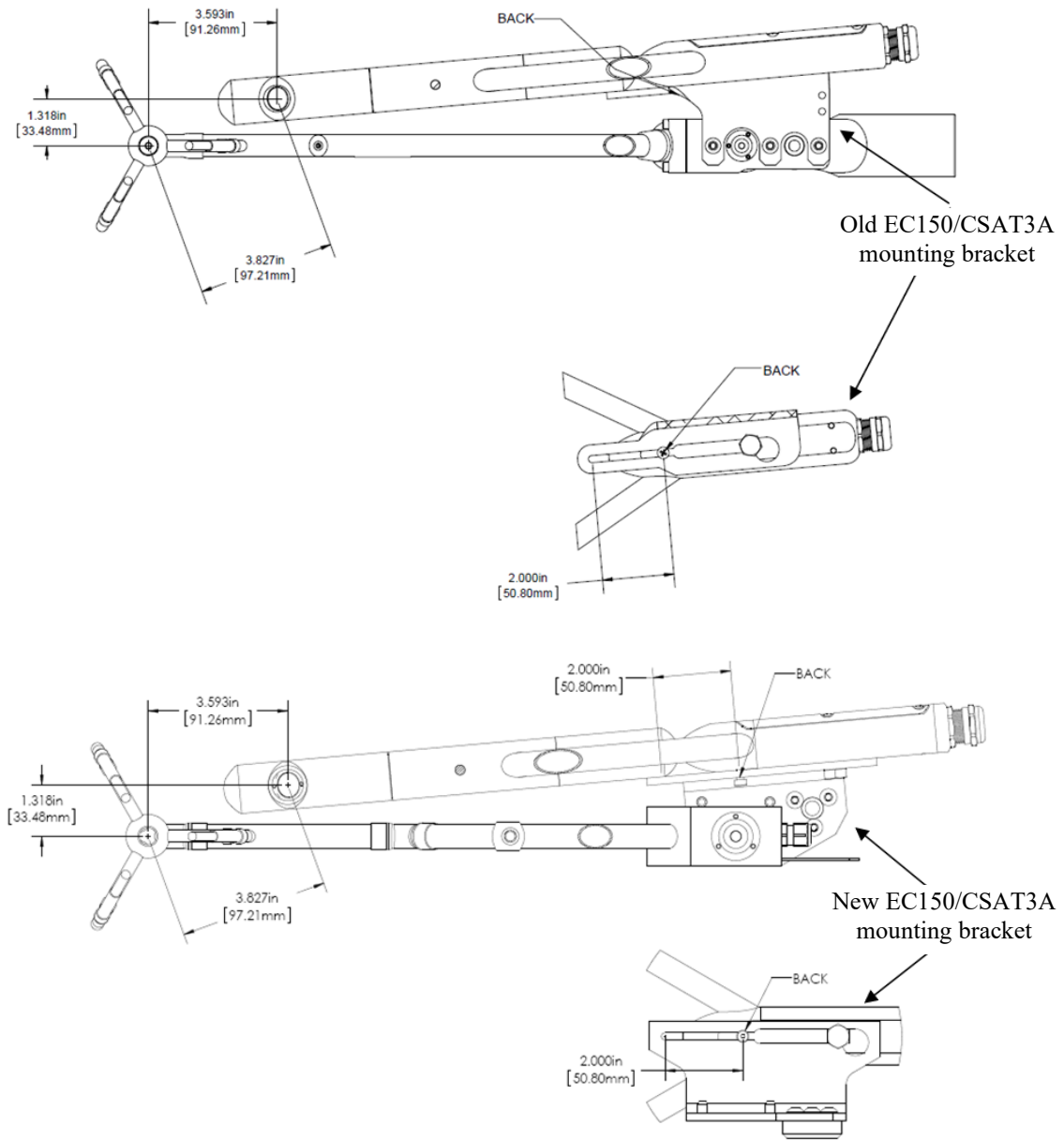


FIGURE 6-4. The most aft (back) mounting position of the EC150 relative to the CSAT3A, resulting in a spatial separation of 9.7 cm. The top images show the mounting with the current CSAT3A (CSAT3A serial numbers greater than 2000), while the bottom images show the mounting with the original version CSAT3A (serial numbers less than 2000).

The following steps describe the normal mounting procedure. Refer to [FIGURE 6-6](#) and [6-7](#) throughout this section.

6.2.1 Preparing the Mounting Structure

1. Secure a CM20X crossarm to a tripod or other vertical structure using a CM210 crossarm-to-pole bracket.
2. Point the horizontal arm into the direction of the prevailing wind.
3. Tighten all fitting set screws.

WARNING

Do not carry the EC150 by the arms or the strut between the arms. Always hold the sensor by the block where the upper and lower arms connect.

6.2.2 Mounting EC150 with Optional CSAT3A

The guideline below gives general instructions for mounting an EC150 and optional CSAT3A to a mounting structure. The order of assembly will somewhat be determined by the user's application; primarily the height of the tower. Steps 6, 7, and 8 should be performed in sequential order.

Please refer to all steps and the referenced figure of this section before deciding on an assembly strategy. In general, Campbell Scientific suggests that if the equipment is to be mounted at heights above what can be reached while standing, to preassemble as much as possible and then hoist that assembly into a position to be mounted on the appropriate crossarm.

1. Attach CSAT3A to the proper mounting bracket according to the CSAT3A serial number.
 - If using a CSAT3A with current design (serial numbers 2000 and greater), attach the EC150/CSAT3A mounting bracket (see FIGURE 6-1) to the CSAT3A using the three included screws and then bolt the CM250 leveling mount to the threaded hole of the CSAT3A sensor block.
 - If using a CSAT3A with original design (serial numbers less than 2000), align and tighten the bolt on the mounting bracket to the bottom of the threaded hole on the CSAT3A sensor block. Then bolt the CM250 leveling mount to the threaded hole on the bottom of the mounting bracket.
2. Install the assembly to the end of the crossarm by fitting the CM250 leveling mount over the end of the crossarm.
3. Tighten the set screws on the leveling mount.
4. Install the EC150 gas analyzer head to the EC150/CSAT3A mounting bracket by tightening the mounting screw and loosely thread the mounting bolt into the analyzer head.
5. Align the analyzer parallel with the vertical plate of the mounting bracket and insert the mounting screw and bolt into the slot of the mounting bracket.
6. Carefully slide the analyzer forward to the desired position. For a more detailed discussion of positioning the EC150 relative to the CSAT3A, see Section 6.2, *Mounting Analyzer to Support Hardware* (p. 10).

CAUTION

Avoid crashing the arms of the sensors together. The arms of the analyzer should slide in between the claws of the CSAT3A; the sonic head may need to be loosened and repositioned to do this.

7. Tighten bolts and check for proper orientation. The analyzer should be oriented vertically such that the label is right-side-up and the upper arm (source) is directly above the lower arm (detector). The sonic anemometer must be oriented in a way that it faces the prevailing wind to prevent 'shadowing' from the sensor body. See Section 6.4.1, *Data Collection and Processing with EasyFlux DL* (p. 25), for additional information about the wind information reported by the sonic coordinate system.
8. If the assembly is not level, slightly loosen the bolt that holds the mounting bracket on the leveling mount and adjust the assembly until the leveling bubble on the top of the CSAT3A head is within the bullseye. Retighten the bolt.

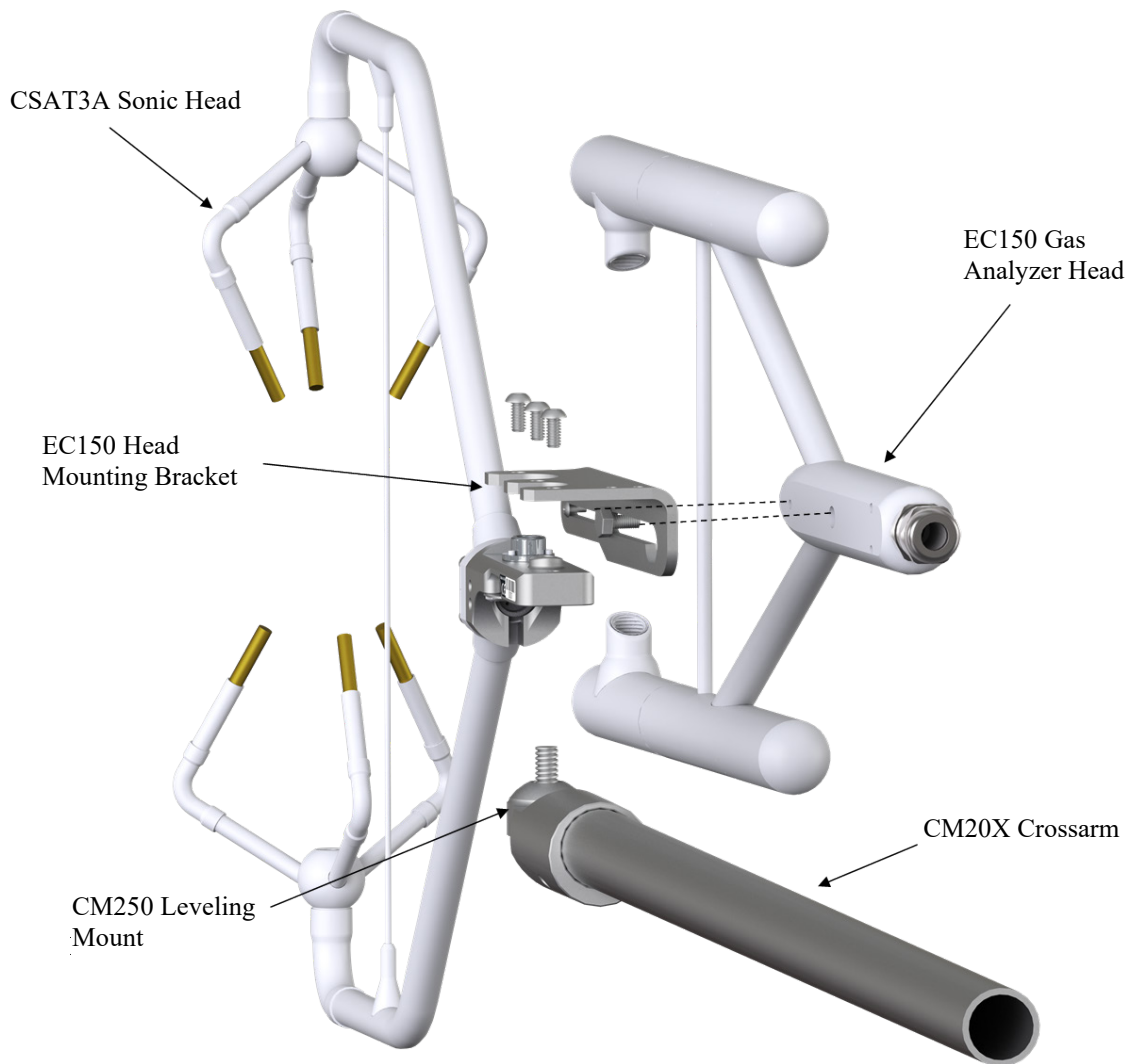


FIGURE 6-5. Exploded view of mounting CSAT3A and EC150 with mounting bracket 32065 (for CSAT3A with serial numbers 2000 and greater)

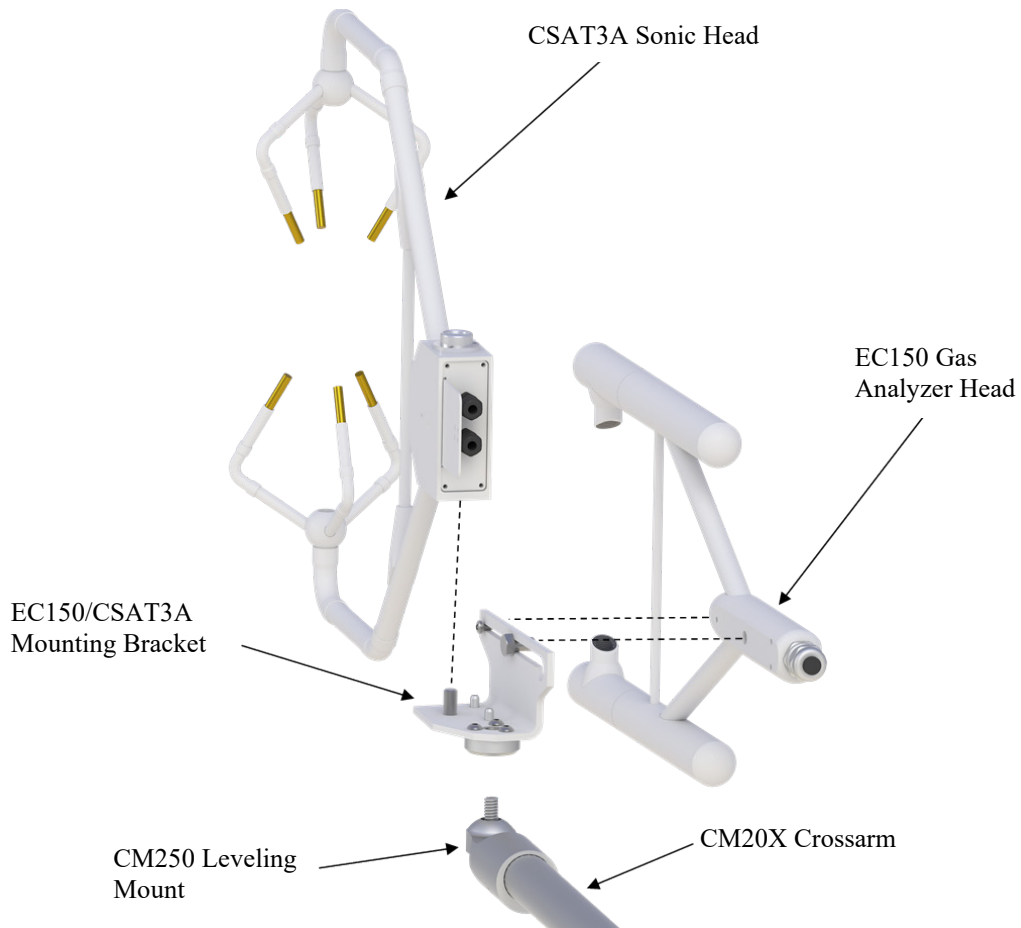


FIGURE 6-6. Exploded view of mounting CSAT3A and EC150 with mounting bracket 26786 (for CSAT3A with serial numbers less than 2000)

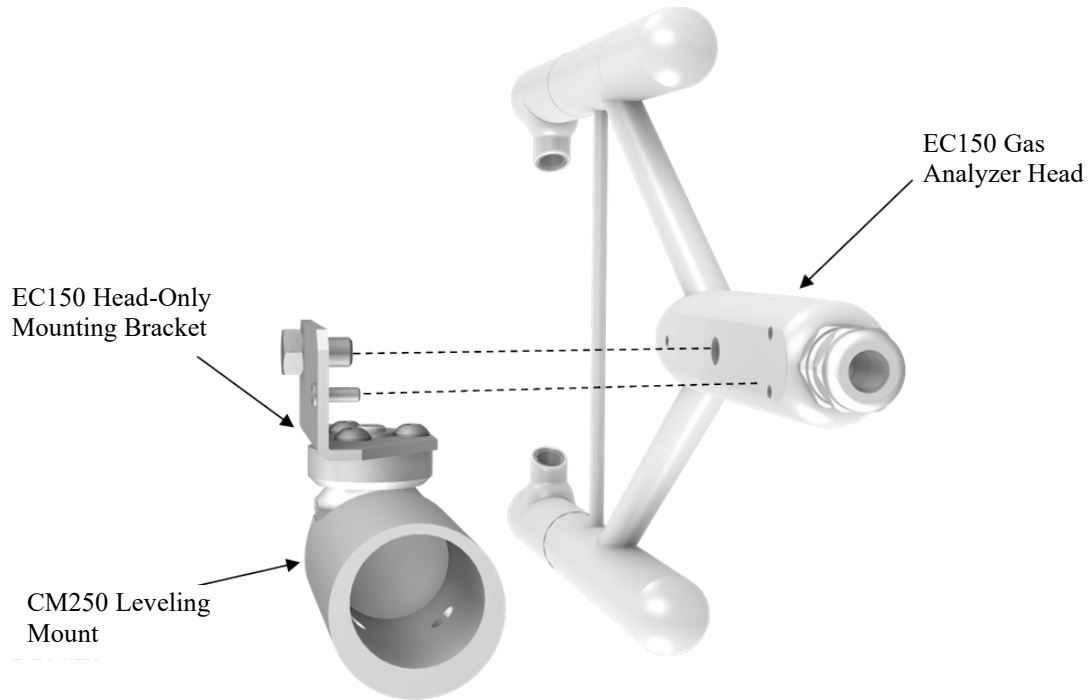


FIGURE 6-7. Exploded view of mounting the EC150 without the CSAT3A

CAUTION

Overtightening bolts will damage or deform mounting hardware.

6.2.3 Mounting EC150 without CSAT3A

The instructions for mounting the EC150 without the CSAT3A should generally follow those in Section 6.2.2, *Mounting EC150 with Optional CSAT3A* (p. 15), but requires the use of a different mounting bracket as described below and in Section 6.2, *Mounting Analyzer to Support Hardware* (p. 10).

1. Bolt the EC150 head-only mounting bracket (see FIGURE 6-1) to the CM250 leveling mount.
2. Mount the EC150 gas analyzer head to the EC150 head-only mounting bracket using the bolt and set screw included with the bracket.
3. Mount this assembly to the end of the crossarm by fitting the leveling mount over the end of the crossarm.
4. Tighten the set screws on the leveling mount.
5. If the assembly is not level, slightly loosen the bolt that holds the mounting bracket on the leveling mount and adjust the assembly. Retighten the bolt.

CAUTION Use caution when handling the EC150 gas analyzer head. The optical source may be damaged by rough handling, especially while the EC150 is powered.

NOTE The CSAT3A sonic anemometer is an updated version of the CSAT3, designed to work with the EC100 electronics. An existing CSAT3 may be upgraded to a CSAT3A. Contact Campbell Scientific for details.

6.2.4 Attaching EC100 Electronics Enclosure to Mounting Structure

The EC100 electronics enclosure can be mounted to the mast, tripod leg, or other part of the mounting structure but must be mounted within 3.0 m (10.0 ft) of the sensors due to restrictions imposed by the cable length.

NOTE The designed ingress protection rating of the EC100 is not intended for marine environments or other environments in which the enclosure may come in contact with corrosive chemicals (viticulture or agriculture, for example), as components within the enclosure are at higher risk to exposure to these substances. However, instruments with EC100 enclosures are being used in these environments with additional precautions. If the instrumentation is intended for such an environment, contact Campbell Scientific for guidance before deploying the instrument.

1. Attach the EC100 enclosure mounting bracket to the pipe of the mounting structure by loosely tightening the u-bolts around the pipe. The u-bolts are found in the mesh pocket inside the EC100 enclosure.
2. For configurations in which the pipe is not vertical (such as a tripod leg as in FIGURE 6-8) rotate the bracket to the side of the pipe so that when the enclosure is attached it will hang vertically upright. Make any necessary angle adjustments by loosening the four nuts and rotating the bracket plates relative to one another. If the necessary angle cannot be reached in the given orientation, remove the four nuts completely and index the top plate by 90° to allow the bracket to travel in the other direction (see FIGURE 6-8).

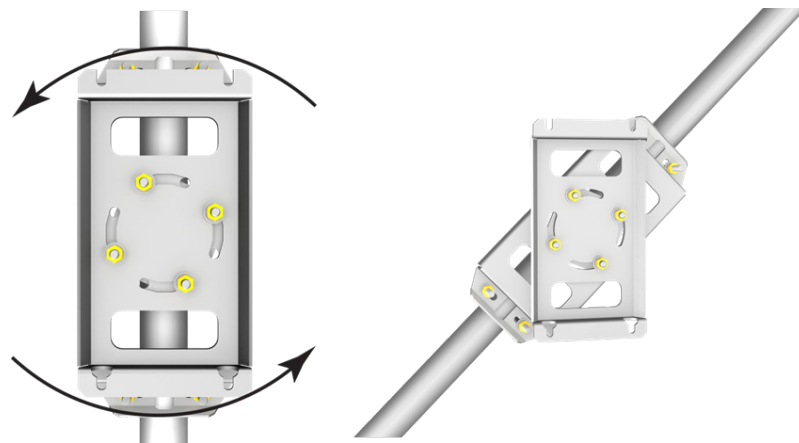


FIGURE 6-8. EC100 enclosure mounting bracket mounted on a vertical mast (left) and a tripod leg (right)

3. Tighten all nuts after final adjustments have been made.
4. Attach the EC100 enclosure to the bracket by loosening the bolts on the back of the enclosure, hanging the enclosure on the mounting bracket (it should slide into place and be able to securely hang from the bracket), and retightening the bolts (see FIGURE 6-9).

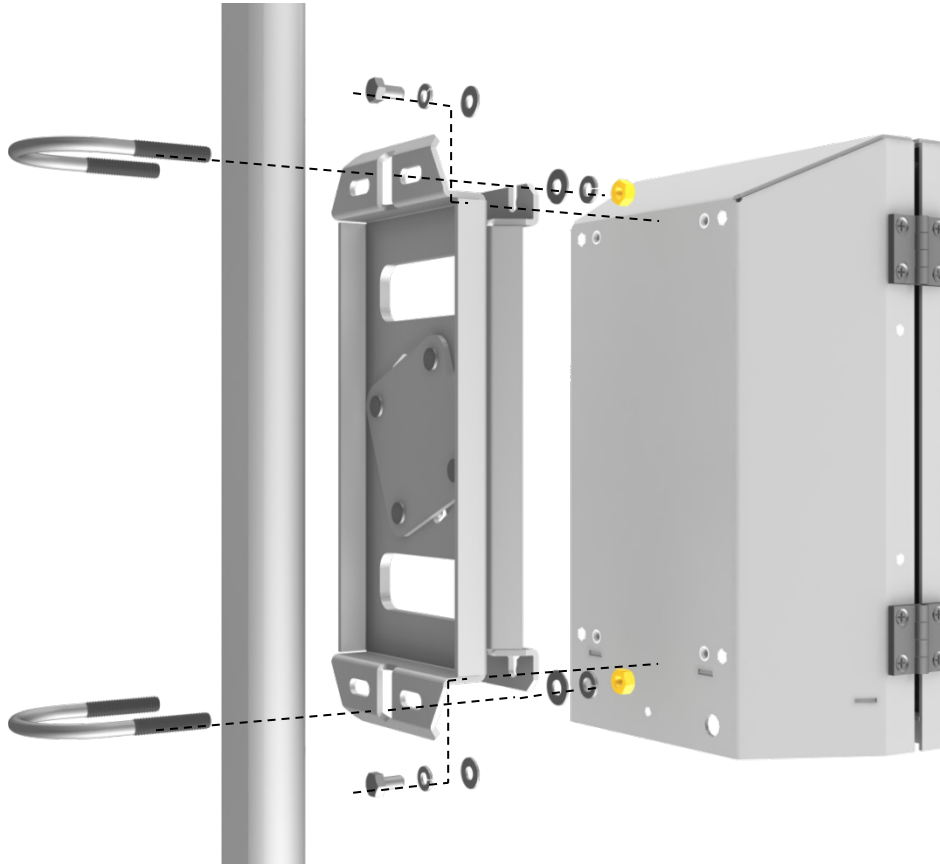


FIGURE 6-9. Exploded view of mounting the EC100 enclosure

5. Remove the EC100 enclosure desiccant from the plastic bag and put it back in the mesh pocket of the enclosure.
6. Adhere the humidity indicator card to the inside of the door of the enclosure.

6.2.5 Install the EC150 Temperature Probe

The temperature probe should be mounted such that it measures at the same height as the sample volume of the EC150 and the CSAT3A.

1. Attach the R.M. Young 41303-5A 6-plate solar radiation shield to the mast with the included u-bolt.
2. Insert the end of the temperature probe into the hole on the bottom of the shield, see FIGURE 6-11.
3. Tighten screws to hold the probe in place.



FIGURE 6-10. EC150 temperature probe



FIGURE 6-11. Solar radiation shield with EC150 temperature probe

6.3 Wiring and Connections

FIGURES 6-12 and 6-13 show EC100 electronics panel and the bottom of the EC100 enclosure, respectively. Refer to these figures during the wiring and connecting of the various auxiliary sensors.



FIGURE 6-12. EC100 electronics front panel showing EC100 as shipped (left) and after completed wiring and connections (right)

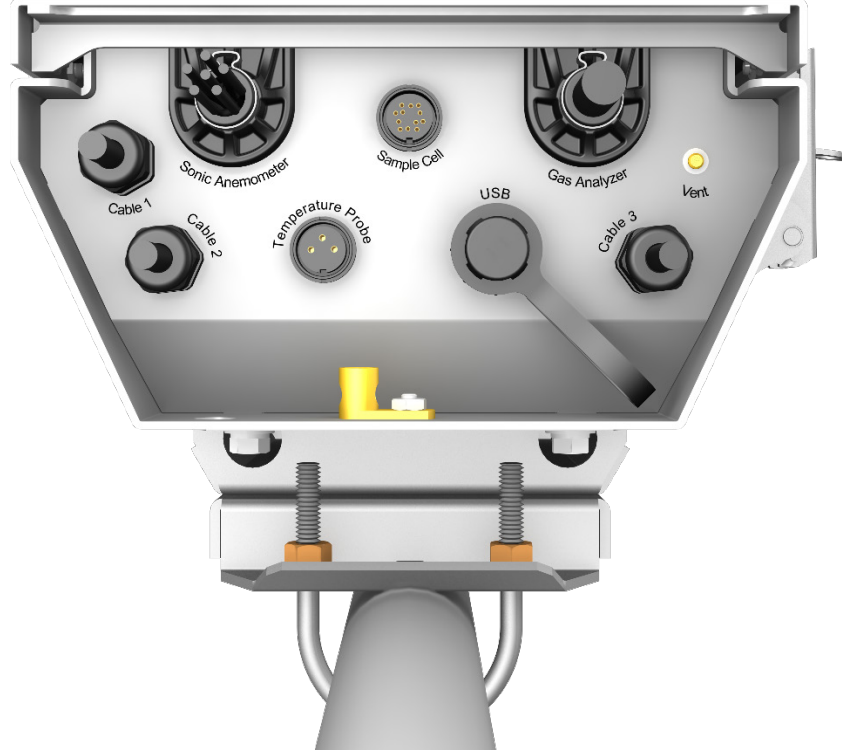


FIGURE 6-13. Bottom of EC100 enclosure

6.3.1 Connecting the EC150 Gas Analyzer Head

1. Remove the black rubber cable entry plug that is located on the bottom right of the EC100 enclosure labeled **Cable 3**. (This plug can be stored in the mesh pocket of the enclosure.)
2. Insert the cable entry plug that is attached to the large cable of the EC150 gas analyzer head into the vacant slot.
3. Push the connector at the end of the cable onto its mating connector (labeled **Gas Analyzer**) and tighten the thumbscrews (see FIGURE 6-13). The EC150 gas analyzer cable is approximately 3.0 m (10.0 ft) in length.

6.3.2 Connect the CSAT3A Sonic Head

Skip the following two steps if not using a CSAT3A.

1. Similar to connecting the gas analyzer head, remove the black rubber cable entry plug found on the bottom left of the EC100 enclosure.
2. Insert the cable entry plug on the CSAT3A cable into the slot and connect the male end to the female connector labeled **Sonic Anemometer** on the EC100 electronics (see FIGURE 6-13).

NOTE

Unlike previous models of the CSAT3 3D sonic anemometer, the CSAT3A sonic head and the EC150 gas analyzer head have embedded calibration information. This means that any CSAT3A and any EC150 may be used with any EC100.

6.3.3 Connect the EC150 Temperature Probe

1. Unscrew the temperature connector cover which is found on the bottom of the EC100 enclosure labeled **Temperature Probe** (see FIGURE 6-13).
2. Insert the three-prong temperature probe connector into the female connector on the enclosure and screw it firmly in place. The EC150 temperature probe cable is approximately 3.0 m (10.0 ft) in length.

6.3.4 Ground the EC100 Electronics

1. Attach a user-supplied heavy gauge wire (12 AWG would be appropriate) to the grounding lug found on the bottom of the EC100 enclosure.
2. Earth (chassis) ground the other end of the wire using a grounding rod. For more details on grounding, see the CR3000 data logger manual grounding section.

CAUTION Grounding the EC100 is critical. Proper grounding to earth (chassis) will ensure maximum electrostatic discharge (ESD) protection and improve measurement accuracy.

CAUTION Do not connect or disconnect the EC150 gas analyzer head or CSAT3 sonic head once the EC100 is powered.

6.3.5 Connect SDM Communications to the EC100

The EC150 supports SDM communications with data logger. SDM is the preferred communications to the EC100. RS-485 may be necessary in some situations. The USB is used mainly for diagnostic and trouble shooting. Connection instructions for these modes can be found in Appendix C, *Alternate EC100 Outputs (p. C-1)*.

CABLE4CBL-L is used for connecting SDM communications to the EC100. The “L” designation denotes the length of the cable which is user-specified.

1. Loosen the nut on one of the cable entry seals (**Cable 1**) on the bottom of the EC100 enclosure (refer to FIGURE 6-13).
2. Remove plastic plug and store in mesh pocket of enclosure.
3. Insert the cable while referring to TABLE 6-1 for details on which color of wire in the cable should be connected to each terminal found on the SDM connector of the EC100 panel.
4. Once the wires of the cable are fully connected, retighten the nut on the appropriate cable entry.

TABLE 6-1. EC100 SDM Output

EC100 Channel	Description	Color
SDM-C1	SDM Data	Green
SDM-C2	SDM Clock	White
SDM-C3	SDM Enable	Red (or Brown)
G	Digital Ground	Black
G	Shield	Clear

6.3.6 Wire Power and Ground the EC100

1. Feed cable CABLEPCBL-L through **Cable 2** at the bottom of the EC100 enclosure (see FIGURE 6-13) and attach the ends into the green EC100 power connector.
2. Plug the connector into the female power connector on the EC100 panel. Ensure that the power and ground ends are going to the appropriate terminals labeled 12V and ground, respectively.
3. Connect the power cable to a power source. The power and ground ends may be wired to the 12V and G ports, respectively, of a Campbell Scientific data logger or to another 12 VDC source.

Once power is applied to the EC100, three LED status lights on the EC100 panel will illuminate. The power LED will be green if the power supply voltage is between 10 to 16 VDC. The gas LEDs will be orange until the gas head has warmed up. The sonic LED will be red while the sonic acquires the ultrasonic signals. The sonic and gas LEDs will turn green if there are no diagnostic warning flags. Three green LEDs indicate that the instrument is ready to make measurements.

The EC150 power-up sequence takes under two minutes to complete. During power up the gas LED will be orange. If after two minutes the gas LED turns green, power-up sequence has been completed successfully. If the gas LED turns red, a diagnostic flag has been detected. Check the individual diagnostic bits to determine the specific fault.

Diagnostics may be monitored using the Status window of *ECMon* (see Appendix A.3, *ECMon* (p. A-7)), the user interface software included with the EC150 (see Appendix A, *EC150 Settings* (p. A-1)), or with a data logger. The diagnostics may reveal that the unit needs to be serviced (for example, cleaning the optical windows on the EC150, cleaning the CSAT3A transducers of ice or debris, etc. See Section 8, *Maintenance and Troubleshooting* (p. 32)).

6.4 Data Collection and Data Processing

Data from the EC150 is collected through the EC100 and then archived onto a data logger. A common instrument configuration is to program a data logger to retrieve and collect raw data from the EC150, to be used for post processing, for which various programs have been developed.

More recently, programs have been developed that efficiently record and correctly process data from instruments such as the EC150, as well as compile them with data from other, complementary instruments. Campbell Scientific has developed a program, *EasyFlux DL*, that both records and processes raw data from the EC150 to provide

useful measurements immediately. An overview of both approaches is given in the sections below.

6.4.1 Data Collection and Processing with *EasyFlux DL*

EasyFlux DL is an open source *CRBasic* program that allows a CR6 or CR3000 data logger to collect fully corrected measurements from an EC150 instrument. The program is compatible with other GPS and energy balance sensors which, in combination, can report corrected fluxes for CO₂, latent heat (H₂O), sensible heat, ground surface heat flux, and momentum. The program processes the EC data using commonly used corrections in the scientific literature. For detailed information about downloading, installing, and configuring the free program, refer to the *EasyFlux DL* manual located at www.campbellsci.com/easyflux-dl.

Of particular note is the manner in which *EasyFlux DL* processes information from the sonic anemometer and is useful to understand when considering how to situate the analyzer and anemometer at a given site.

EasyFlux DL reports the wind direction in both the sonic coordinate system (a right-handed coordinate system, FIGURE 6-14) and in the compass coordinate system (a left-handed coordinate system, FIGURE 6-15). To report the wind direction in the compass coordinate system, the orientation of the sonic must be known. The sonic coordinate system is relative to the sonic itself and does not depend on the sonic's orientation. The compass coordinate system is fixed to Earth. For the *EasyFlux DL* program to compute the correct compass wind direction, the azimuth of the sonic negative x-axis must be entered into the program. The output value for the compass coordinate system is **WD** and the output value for the sonic coordinate system is **WD_Sonic**. The program default value for the variable **sonic_azimuth** is **0**. To report a true compass wind direction, an appropriate value for **sonic_azimuth** must be entered into the program. The default is appropriate only if the sonic is mounted such that the negative x-axis points to the north.

NOTE

Remember to account for magnetic declination at the installation site. See Appendix D, *CSAT3A Orientation (p. D-1)*, for details.

The variable **sonic_azimuth** can be changed in *LoggerNet* or by using a CR100KD keypad. It can be changed in *LoggerNet* by connecting the data logger to a computer, opening *LoggerNet*, and going into the **Public** data table and changing the value in the **sonic_azimuth** field. Note that if the units of the variables are being displayed in the field, the units must be deleted before entering a value. If a new value is attempted to be sent along with the units in the field, then a change will not be made. To change it on the keypad, go to the **Site Var Settings** menu, then go to **sonic_azimuth** and enter a new value. Once a value is entered, the value is saved in the CPU. The program default of **0** for **sonic_azimuth** is used only if a site-specific value has not been entered using the keyboard or through *LoggerNet*.

FIGURE 6-14 and FIGURE 6-15 show the compass and sonic coordinate system. Both figures show the sonic's negative x-axis pointing to the west (compass azimuth of 270°). The wind direction is measured in degrees clockwise from due north. In the compass coordinate system, the wind direction (**WD**) is 200. To calculate the wind direction in FIGURE 6-14, the orientation of the sonic anemometer relative to due north is needed in the program. FIGURE 6-15 is in a right-handed coordinate system, and the wind vector direction is measured in degrees counterclockwise from the positive x-axis. Therefore, the wind vector direction (**WD_sonic**) is 70°.

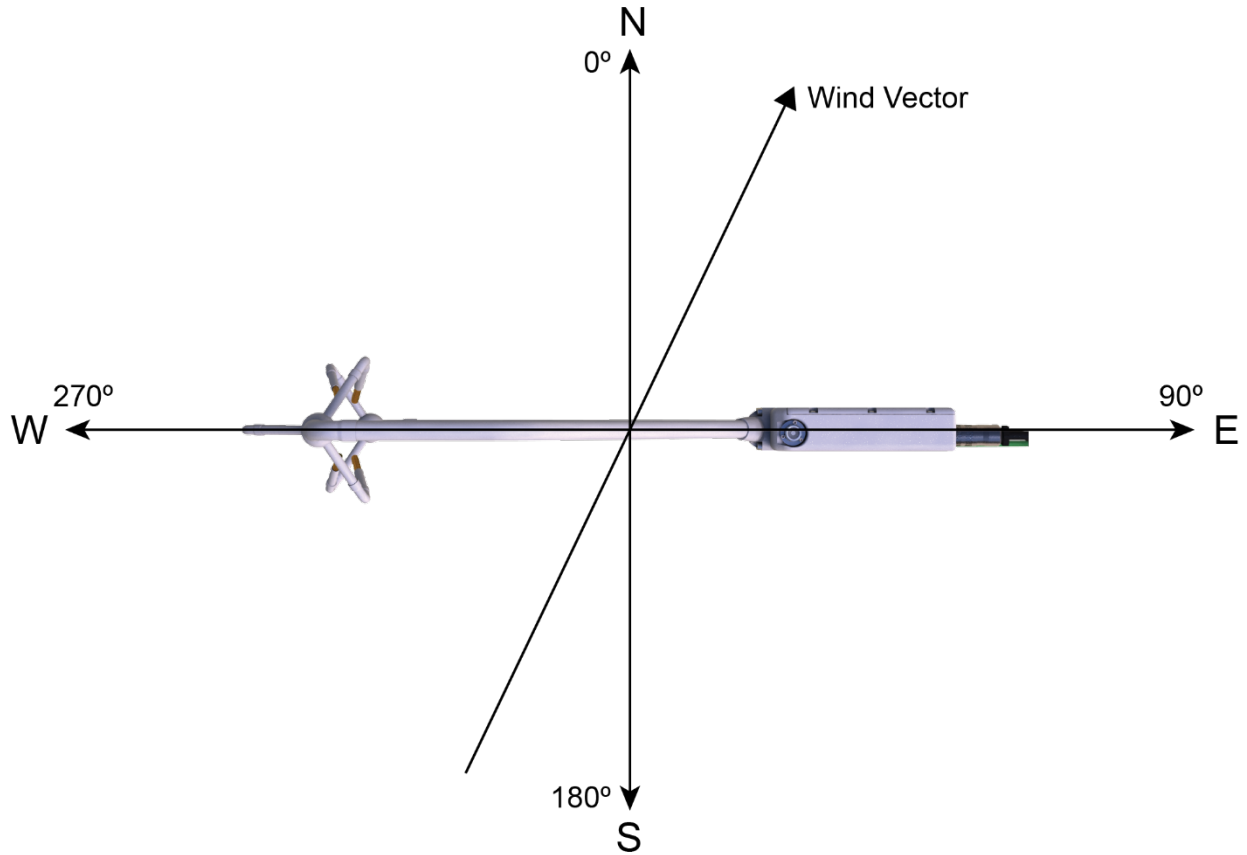


FIGURE 6-14. Compass coordinate system, compass wind direction is 200°. The sonic azimuth of the anemometer is 270°

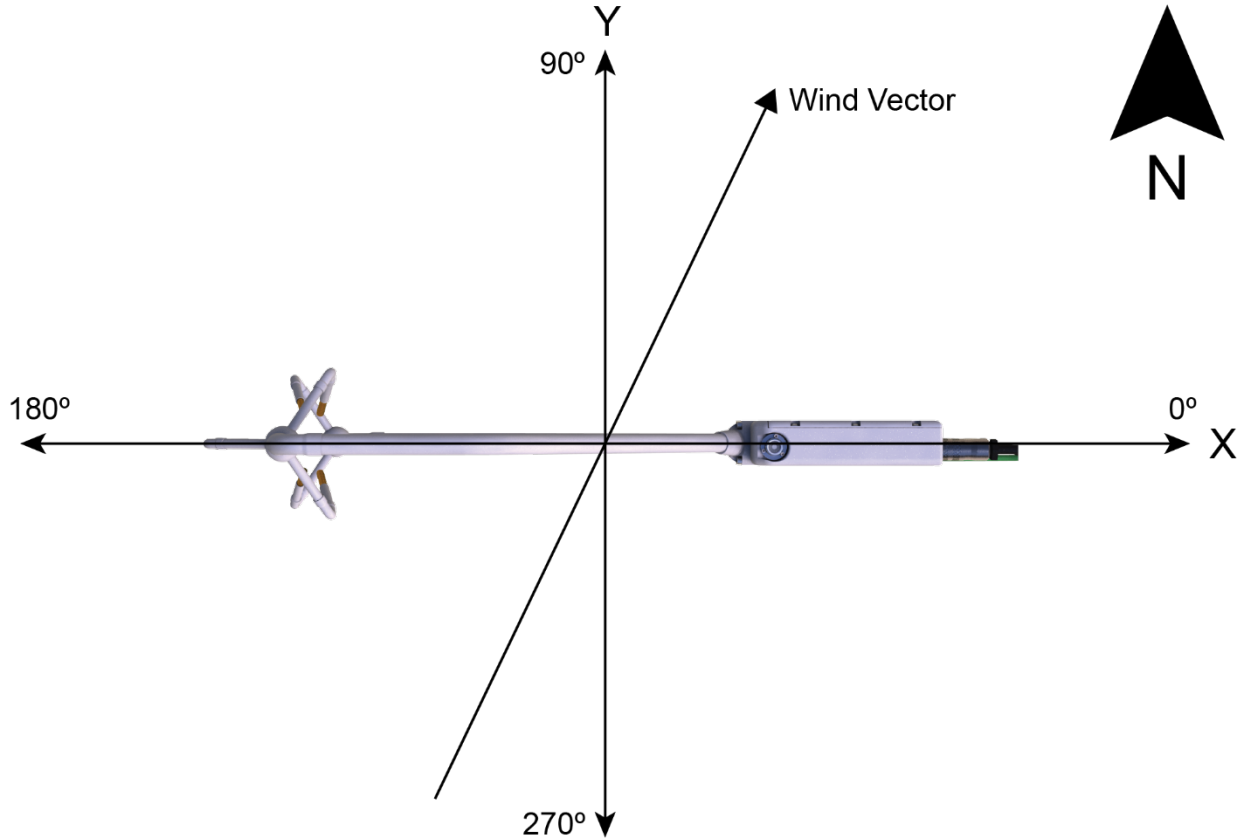


FIGURE 6-15. Right-handed coordinate system, horizontal wind vector angle is 70°

6.4.2 Data Logger Programming with *CRBasic*

The data logger of the EC150 is programmed in the *CRBasic* language, which features two instructions for communication with the EC100 via SDM. The first instruction is `EC100()`, which reads measurement data from the EC100. The second is the `EC100Configure()`, which receives and sends configuration settings.

With programs such as *EasyFlux DL*, there is little need for the user to become well versed in the *CRBasic* language and the instructions required for communicating with the EC100. In those cases in which it is needed or desired, the Campbell Scientific website has several tutorials and guidance for learning the *CRBasic* language. They can be accessed by entering *CRBasic* in the search field at www.campbellsci.com.

7. Zero and Span

7.1 Introduction

Calibration of optical instrumentation like the EC150 may drift slightly from the calibration that was performed in the factory with time and exposure to natural elements. A zero-and-span procedure should be performed after installation of the instrument to give appropriate baseline readings as a reference. A zero-and-span procedure should also be performed occasionally to assess drifts from factory calibration. In many cases, a zero and span can help resolve problems that are being experienced by the user during operating the EC150. For example, a zero-and-span

procedure should always be performed on the analyzer after changing the internal chemicals. Before performing a zero-and-span procedure, clean the windows of the EC150 as described in Section 8.3, *Cleaning Analyzer Windows* (p. 34).

After the first several zero-and-span procedures, the rate of drift in gain and offset (explained later in this section) should be analyzed to better determine how frequently the zero-and-span procedure should be performed once the instrument has been put into service.

The first part of the procedure listed below simply measures the CO₂ and H₂O span and zero without making any adjustments. This allows the CO₂ and H₂O gain factors to be calculated. These gain factors quantify the state of the analyzer before the zero-and-span procedure and, in theory, could be used to correct recent measurements for drift. The last part of the zero-and-span procedure adjusts internal processing parameters to correct subsequent measurements.

If the zero-and-span procedure is being performed off site (for example, in a laboratory), be sure to mount the EC150 on the zero-and-span stand (refer to FIGURE 7-1). This will ensure the analyzer is in the correct upright orientation and has the correct optical alignment.

The zero-and-span procedure must be performed correctly and not rushed. Allocate at least one hour (preferably more) for the procedure. Ensure that the readings are stable and all sensors are properly connected and functioning.

It is conceivable that there are circumstances in which both a zero and a span cannot be performed by the user. In these instances, it is recommended that the user attempt to perform a zero of the instrument even if spanning is not possible or inconvenient. The information gained through zeroing the instrument can help troubleshoot problems that may be encountered during field operations.

NOTE

The water vapor measurement is used in the CO₂ concentration calculations to correct instrument and pressure broadening effects. To achieve good CO₂ calibration, it is imperative to maintain a reasonable water vapor calibration.

CAUTION

Resting the analyzer on its side during the zero-and-span procedure may result in measurement inaccuracy.

7.2 Zero-and-Span Procedure

This section gives instructions for performing a zero-and-span procedure, and should be referred to any time a zero-and-span procedure is undertaken.

Check and then set the EC150 zero and span according to the following steps:

1. Remove power from the EC100/EC150. Unplugging the power cable from the EC100 is the easiest way to accomplish this.
2. Remove wicks from the snouts of the analyzer.
3. Clean windows and snouts with isopropyl alcohol and a lint-free, non-abrasive tissue or cloth as described in Section 8.3, *Cleaning Analyzer Windows* (p. 34).

CAUTION

Make sure any residual alcohol and water completely evaporate from the analyzer before proceeding with the zero-and-span procedure.

4. Position the EC150 zero-and-span shroud over the upper and lower snouts. See FIGURE 7-1 for guidance with the following steps.
 - a. Twist the two ends of the shroud together to minimize the length of the shroud. Make sure the rubber seals on the ends of the shroud are clean and in good condition.
 - b. Position one end of the shroud over the lower snout and twist the top part of the shroud, allowing it to extend and cover the upper snout.
 - c. Continue twisting the shroud until it is fully extended and covering both snouts.
 - d. Twist the shroud so that the gas lines and temperature thermistor cable are directed towards the back of the sensor.
 - e. Hang the lines and cable over the trunk of the sensor to alleviate any strain on the optical arms. See FIGURE 7-1.

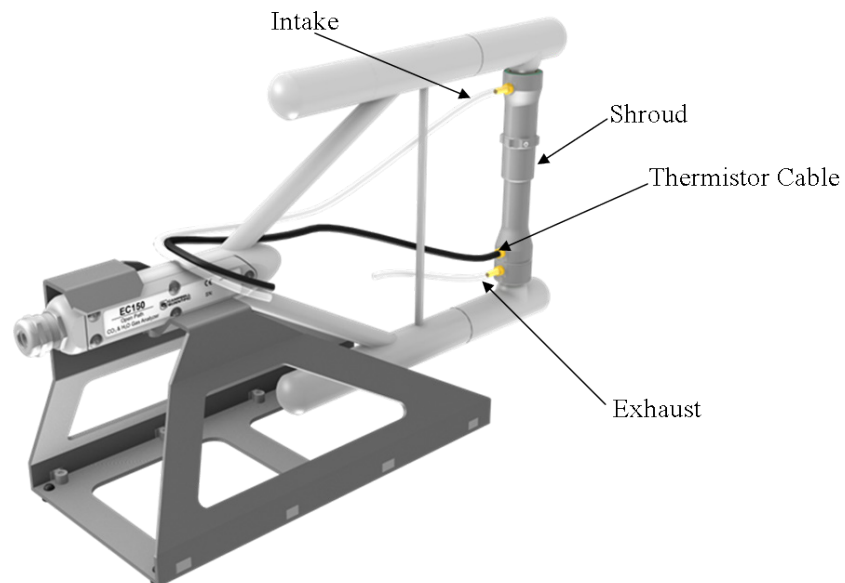


FIGURE 7-1. Zero-and-span shroud mounted on the zero-and-span stand

5. Disconnect the EC150 temperature probe from the EC100 and connect the shroud temperature probe in its place.
6. Connect the EC100 to a computer with the EC100 USB cable.
7. Resume power to the EC100/EC150.
8. Wait for all the **Gas** and **Power** LED status lights on the EC100 panel to turn green.

9. Launch *ECMon*, select the appropriate USB port, and click **Connect**. The main screen should now be reporting real-time CO₂ and H₂O concentrations.
10. Click **Zero/Span**. A graph will appear in the lower half of the zero-and-span window showing measured CO₂ and H₂O concentrations (see FIGURE 7-2).
11. Connect a gas cylinder of known CO₂ concentration to a pressure regulator, then to a flow controller, and finally to the intake of the shroud. Optimally, the concentration of span CO₂ should be near the concentration of CO₂ being measured in the field.
12. Beginning with both the pressure regulator and flow controller turned off, use the pressure regulator to slowly increase pressure to the recommended setting for the flow controller.
13. Set the flow between 0.2 and 0.4 LPM.
14. Monitor the *ECMon* zero-and-span graph and wait for the CO₂ measurement readings to stabilize (5 to 10 minutes). Once stable, record the reported CO₂ concentration.

NOTE

Use a mixture of CO₂ in air (not nitrogen) for the CO₂ span gas. The use of pure nitrogen as the carrier gas will lead to errors because the pressure-broadening of the CO₂ absorption lines is different for oxygen and nitrogen.

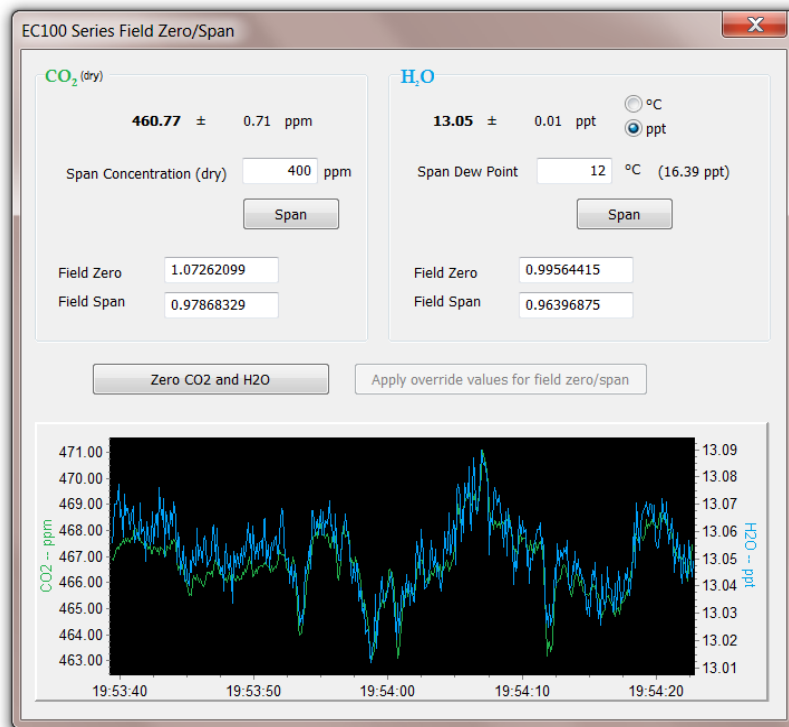


FIGURE 7-2. *ECMon* zero-and-span window

15. Remove the CO₂ span gas from the inlet of the shroud and replace it with H₂O span gas from a dew-point generator or another standard reference. As water molecules can adsorb to inside of the tubing and the shroud, it may take 30 minutes or more for the H₂O concentration to stabilize. The user may increase the flow rate for the first several minutes to more quickly stabilize the system before returning it to between 0.2 and 0.4 LPM to make the H₂O measurement. Record the reported H₂O concentration. If a stable reading is not achieved within 45 to 60 minutes, troubleshooting steps should be undertaken.
16. Remove the H₂O span gas, and connect a zero air source (no CO₂ or H₂O) to the inlet tube of the shroud. As described in step 11, use a pressure regulator and flow controller so that zero air flows through the shroud between 0.2 and 0.4 LPM. Wait for the measurement readings to stabilize and record the reported values for CO₂ and H₂O concentrations. If the readings remain erratic, ensure that flow of the zero air is sufficient and the shroud is correctly seated on the snouts.

NOTE

If the quality of a zero gas is unknown or suspect, a desiccant and CO₂ scrubber should be added between the zero gas tank and the shroud to confirm that the gas being sampled during the zero procedure is actually a zero air source.

NOTE

If using a Campbell Scientific Zero Air Generator instrument, a pressure regulator and flow controller is not needed as the maximum achievable flow rate is 0.2 liters per minute.

17. Along with recording the CO₂ and H₂O zero and span values, also record the date and time, and temperature. With this information the user can examine zero/span drift with time and temperature.

Compute the drift in instrument gain using the following equation:

$$gain = \frac{span_{actual}}{span_{meas} - zero_{meas}}$$

where,

- $span_{actual}$ = known concentration of the span gas
- $span_{meas}$ = measured concentration of the span gas
- $zero_{meas}$ = measured concentration in zero gas

Note that in the zero-and-span window of *ECMon*, **span_{actual}** is reported to the right of the box where the user enters the span dewpoint temperature. The software calculates **span_{actual}** by taking into account the dewpoint temperature and current ambient temperature and pressure. The equations used for this calculation may be found in Appendix E, *Useful Equations* (p. E-1). If drift (offset or gain) for CO₂ or H₂O is excessive, it may be time to replace the desiccant and CO₂ scrubber bottles (see Section 8.5, *Replacing CO₂ Scrubber Bottles* (p. 35)).

18. With zero air still flowing and measurements stabilized, click on the **Zero CO₂ and H₂O** button in the *ECMon* zero-and-span window.

NOTE

Air flow into the shroud should be close to the recommended rate. If the flow is too low, the shroud will not be properly flushed. If it is too high, the air pressure within the shroud will be too high, and the analyzer will not be zeroed and spanned properly.

19. Remove the zero air source and replace it with the CO₂ span gas.
20. Allow the gas to flow through the shroud, maintaining a flow between 0.2 and 0.4 LPM. Wait for readings to stabilize.
21. In the zero-and-span window, enter the known concentration of CO₂ (in ppm) in the box labeled **Span Concentration (dry)** and press **Span**.
22. Replace the CO₂ span gas with an H₂O span gas of known dewpoint. Allow the gas to flow through the shroud. Higher flows may be desired for a couple of minutes to more quickly establish equilibrium before resuming a flow between 0.2 and 0.4 LPM. Wait for the readings to stabilize.
23. Enter the known dewpoint (in °C) in the box labeled **Span Dewpoint** and press **Span**.
24. The zero-and-span procedure is now complete. Remove the shroud, reconnect the EC150 temperature probe, and prepare the site for normal operation. Verify that readings from the instrument are reasonable. Record the zero and span coefficients for future reference and to keep track of the rate of the analyzer drift. Make sure that the coefficients are between 0.9 and 1.1. Negative or numbers larger than 1.1 are usually an indication of improper calibration.

8. Maintenance and Troubleshooting

EC150 operation requires six maintenance tasks:

- Routine site maintenance
- Wick maintenance
- Analyzer window cleaning
- Zero and span
- Replacing the analyzer desiccant/scrubber bottles
- Factory recalibration

8.1 Routine Site Maintenance

The following items should be examined periodically:

- Check the humidity indicator card in the EC100 enclosure. If the highest dot has turned pink, replace the desiccant bags which can be purchased through Campbell Scientific.
- Make sure the *Power* and *Gas* LED status lights on the EC100 panel are green. If not, check the individual diagnostic bits for the specific fault. See TABLE 8-1, *Diagnostic Flags of Sonic Status LED* (p. 38), and Section 8.7.3, *LED Status Lights* (p. 37), for more information.

Usually, the CSAT3A sonic anemometer calibration remains valid unless a transducer fails or damage to the instrument leads to a change in geometry. The sonic anemometer requires calibration when:

- It develops a wind offset greater than the specification
- It sets diagnostic flags under dry conditions with little to no wind and with no obstruction in the ultrasonic paths

The wind offset is tested by creating a zero-wind environment. This is best done in a laboratory setting with HVAC vents closed or covered to reduce air currents and by encircling the mounted sensor with a large plastic bag (for example, an unused refuse bag). Use caution not to block the sonic paths. Once the CSAT3A is connected to an EC100 and powered on, wind offsets may be viewed by connecting the EC100 to a computer and using *ECMon* to graph u_x , u_y , and u_z wind components (see Appendix A.3, *ECMon* (p. A-7)). In this zero-wind environment, u_x and u_y should be less than $\pm 8 \text{ cm}\cdot\text{s}^{-1}$ ($\pm 0.08 \text{ m}\cdot\text{s}^{-1}$) and u_z should be less than $\pm 4 \text{ cm}\cdot\text{s}^{-1}$ ($\pm 0.04 \text{ m}\cdot\text{s}^{-1}$). If recalibration is deemed necessary, contact Campbell Scientific.

8.2 Gas Analyzer Wicks

The windows of the EC150 gas analyzer are polished and slanted at an angle to prevent water from collecting on their surfaces. However, due to increased surface tension at the interface with the snout, water can pool at the edges and partially block the optical path and attenuate the signal. To minimize the occurrence of such events and the resulting data loss, consider using the wicks listed in the following table. The weave of the wicking fabric promotes capillary action that wicks the water away from the edge of the windows. The seam and the straight edge of the wicks are permeated with a rubberized compound to prevent them from shifting during operation.

Proper installation of the wicks is critical. They should not block or encroach on the optical path. Before installation, record signal strengths for both H₂O and CO₂. Following installation, repeat testing of signal strength and check that these values are unchanged.

Wick	Campbell Scientific, Inc. Description
Bottom wick	Fab EC150/IRGASON rain wick bottom
Top wick	Fab EC150/IRGASON rain wick top

The top wick has a short seam which must be aligned with the short side of the top snout. The angled edge of the wick must closely follow the edge of the window without encroaching on the optical path. See FIGURE 8-1 for guidance on proper positioning of the wick.

The bottom wick is installed in a similar manner, except the long seam should be aligned with the long side of the bottom snout. Once in place, the wicks should fit snugly over the cylindrical part of the snout without any creases or wrinkles. The windows should be cleaned after the installation of the wicks to ensure that there are no fingerprints left on critical surfaces. See Section 8.3, *Cleaning Analyzer Windows* (p. 34), for specifics on cleaning the EC150 windows.

Wicks are constructed with a UV-resistant fabric and should be functional for an extended period of time but should be inspected every six months. Check for contamination from dust, pollen, pitch or other debris. If needed, wash the wicks in warm water with mild detergent or replace them.

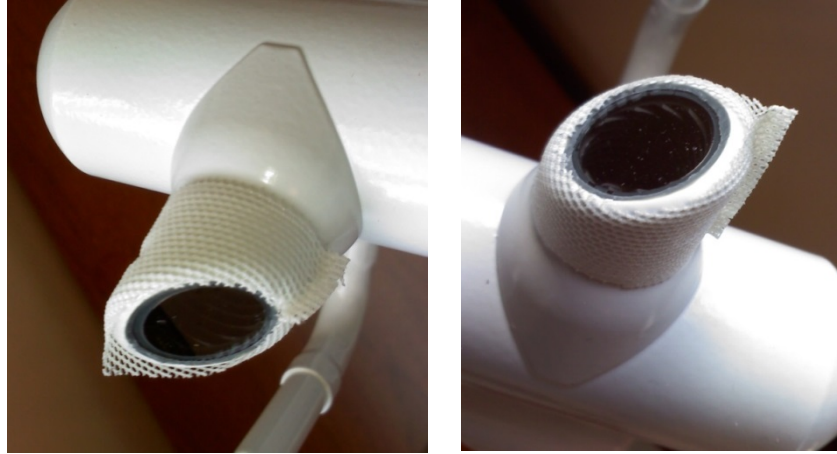


FIGURE 8-1. Proper location of the gas analyzer top wick (left) and bottom wick (right)

8.3 Cleaning Analyzer Windows

The windows of the analyzer should be cleaned if the signal strength for CO₂ or H₂O drops below 0.7 (70% of the original value). These values may be monitored in the output data, or they can be viewed with *ECMon*.

To clean the windows, use isopropyl alcohol and a cotton swab or a lint-free tissue or cloth. Signal strengths should be restored to values close to 1.0 after cleaning the analyzer windows. In some cases, depending on the contaminant, cleaning with distilled water can achieve better results. In severe cases a mild detergent similar to ordinary hand soap can be used.

8.4 Zero and Span

As discussed in Section 7, *Zero and Span* (p. 27), the zero-and-span procedure can resolve many of the issues a user may encounter. Along with being a valuable troubleshooting method, a zero-and-span procedure should be performed as routine maintenance even when the EC150 is producing expected results. Campbell Scientific recommends that a zero-and-span procedure be performed at least every six months, but may be required more frequently depending on conditions.

Performing frequent zero-and-span procedures when the instrument is first put into use to determine the drift from factory calibration, will give a good guideline for the frequency that the procedure should be performed.

To perform a maintenance zero and span, follow the same steps as in Section 7, *Zero and Span* (p. 27).

8.5 Replacing CO₂ Scrubber Bottles

If more than one year has passed since replacing the desiccant/scrubber or if the zero-and-span readings have drifted excessively (see Section 7, *Zero and Span* (p. 27)), the desiccant/scrubber bottles within the EC150 analyzer head should be replaced. FIGURE 8-2 gives the details needed for the following steps.

DANGER

EC150 instruments sold prior to July 2017 were sold with scrubber bottles that contained strong oxidizing agents. Avoid direct contact with the chemicals inside the bottles. Also ensure your work area is well ventilated and free of any reactive compounds, including liquid water. Store used chemical bottles in a sealed container until disposal.

Replacing Scrubber Bottles

1. Twist the scrubber bottle covers of the upper and lower arms counter clockwise until they detach (they should loosen by hand).
2. Remove the EC150 chemical bottles from inside the covers, and replace them with new bottles with the lid of the bottle pointing toward the snouts of the analyzer (see FIGURE 8-2).

NOTE

Before opening the covers, have the chemical bottles ready so that the time the internal volume of the analyzer is exposed to the environment is minimized.

3. Screw the covers back on the arms. Do not overtighten.
4. Allow the sensor to equilibrate for at least 24 hours (longer if in high humidity).
5. After 24 hours, perform a zero-and-span procedure. If readings continue to be suspect, the sensor may need to be recalibrated at the factory (see Section 8.6, *Factory Recalibration* (p. 36), below).

The chemical bottles should be disposed of according to local and federal regulations. For more information, Safety Data Sheet (SDS) forms for the chemicals are included in Appendix F, *Safety Data Sheets (SDS)* (p. F-1).

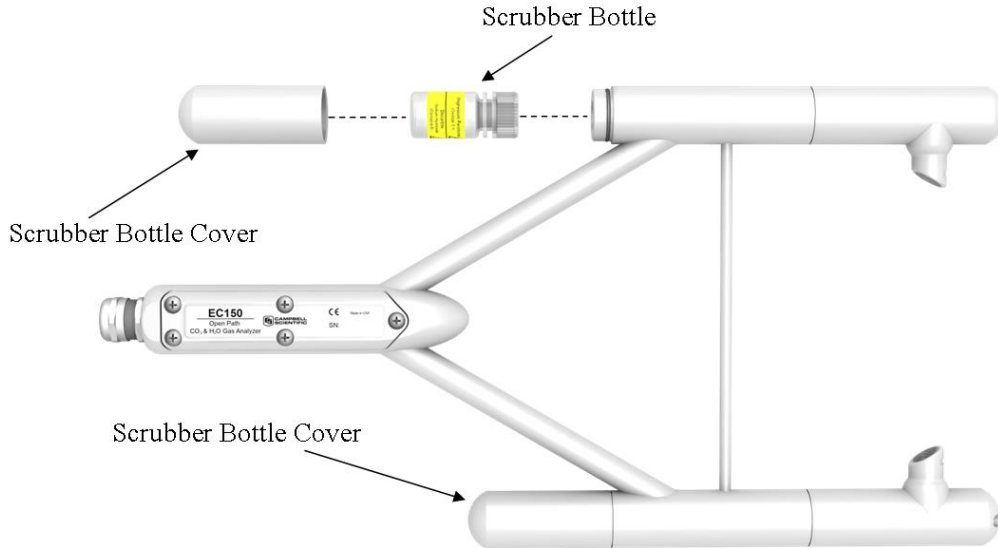


FIGURE 8-2. Replacing the desiccant and CO₂ scrubber bottles (replacement bottles purchased in or after July 2017 may appear different than in the figure)

8.6 Factory Recalibration

When the EC150 is manufactured, it goes through an extensive calibration process, covering a wide range of temperatures, pressures, and gas concentrations. All CO₂ calibration gases used in this process are mixtures of CO₂ in ambient air that are traceable to the WMO Mole Fraction Scale maintained by the Central Carbon Dioxide Laboratory and the Carbon Cycle Greenhouse Gases Group of the Global Monitoring Division/National Oceanographic and Atmospheric Administration in Boulder, CO, USA.

The long-term calibration stability of the EC150 is achieved by the use of high quality optical and electrical components, a long lasting IR source, and a stable MCT detector. The subtle, long-term aging effects are usually compensated by the user with the field zero-and-span adjustments which bring the performance of the analyzer within the original specifications. Proper handling and regular maintenance of the instrument should make factory recalibration unnecessary in most applications. If zero and span accessories and calibration standards are not available, Campbell Scientific can provide two-point calibration upon request.

However, if a user finds that signal strength outputs of greater than 0.75 cannot be achieved after both cleaning the windows and a subsequent zero-and-span procedure, contact Campbell Scientific. Contact Campbell Scientific to help determine if the instrument should be returned to Campbell Scientific for a factory recalibration.

For the CSAT3A, refer to the CSAT3 instruction manual for information on recalibration.

8.7 Troubleshooting

8.7.1 Data Loss During Precipitation Events

In extremely humid environments or after a precipitation event, data loss can occur. Wicks on the analyzer windows help mitigate some of these data loss events but cannot control for all conditions. In addition to wicking, heaters in the snouts can aid in the prevention of data loss during precipitation and condensation events. The heaters are automatically controlled by the EC100 electronics. The automatic heater control is activated using the *Device Configuration Utility* or *ECMon* software. A value of -1 turns the automatic heater control off and a value of -2 turns it on.

8.7.2 EC100 Diagnostics for Gas Analyzer Troubleshooting

Before troubleshooting and servicing the analyzer, become familiar with Section 2, *Precautions (p. 1)*.

The EC100 is also programmed to recognize problems with an associated gas analyzer and reports those with LED status lights and diagnostic flags. The two types of warnings are described in the sections that follow.

8.7.3 LED Status Lights

The EC100 has three LED status lights located in the upper left corner of the front panel which provide immediate visual feedback and warn the user of potential problems with the measurements. During normal operation all **STATUS** LEDs should be green as shown in FIGURE 8-3.



FIGURE 8-3. LED status during normal operation

- **POWER** Status LED

The **POWER** status LED will turn red if the supply voltage is outside the specified limits (see Section 5.4, *Power Requirements (p. 10)*). The user should check the battery voltage or the power supply voltage and ensure that the power supply cable is adequate gage and does not cause excessive voltage drop.

- **SONIC Status LED**

The **SONIC** status LED will turn red if there is no CSAT3A connected to the EC100 electronics or if any of the six sonic diagnostic flags are set. Please refer to TABLE 8-1 and to the EasyFlux-DL instruction manual for more detail information on sonic diagnostic flags.

TABLE 8-1. Diagnostic Flags of Sonic Status LED		
Diagnostic Flag	Flag Name	Action
0	Sonic amplitude low	Clear debris from sonic path
1	Sonic amplitude high	No action
2	Poor signal lock	Clear debris from sonic Return to factory for calibration
3	Delta temperature warning flag	Return to factory for calibration
4	Sonic acquiring signals	No action
5	Signature error in reading CSAT3A sonic head calibration	Check sonic umbilical cable connection Cycle power Contact Campbell Scientific for a new calibration file and upload procedure

- **GAS Status LED**

The **GAS** status LED will turn red in the following situations:

- The EC150 gas head is not connected
- Any of the gas diagnostic flags are set

The **GAS** status LED will turn orange during the initial power up sequence, usually 1-2 min and will turn to green when the sequence is completed and if no diagnostic flags have been set high.

8.7.4 Diagnostic Flags

The EC100 operating system has extensive self-diagnostic capabilities. TABLE 8-2 lists 23 (numbered 0 through 22) diagnostic flags that allow the user to identify problems associated with the operation and the performance of the EC100 electronics and the gas analyzer. There is one master flag (**BAD_DATA**, or flag **0**) that is set when measurements are compromised.

If any of the remaining 22 flags are set, the master flag (**BAD_DATA**) is set as well, so that the user can filter data based on this flag only. When this flag is set, more detailed information about the nature of the problem can be obtained from the 22 slave flags.

When a flag is set due to improper configuration of the analyzer, inadequate power supply voltage or grounding, extreme environmental conditions, and unreliable or missing connections, the user should try to correct the problem by checking the instrument setup, verifying that all components are properly connected and configured, and that operating conditions are within operational specifications. Other flags are associated with the proper function of the internal components of the analyzer. If any of

these flags are set, consult with Campbell Scientific for assistance in diagnosing the problem and, if necessary, arrange to send the instrument for repair.

NOTE

If connected to a data logger, the EC100 could be automatically configured under *CRBasic* program control. The user should verify the proper configuration in the data logger program.

TABLE 8-2. Diagnostic Flags and Suggested Actions		
Flag Number	Flag Name	Comments
0	Bad Data	Set when any of flags 1 through 22 is set. Discard all data with this flag is set. If the flag persists, identify which of flags 1 through 22 is set. When this flag is set, the GAS status LED on the EC100 electronics panel is illuminated red.
1	General Fault	Reserved for future use.
2	Startup	Set during the initial power up of the analyzer. It stays set only until all control loops have settled. The infrared detector temperature and the motor speed usually stabilize in 1 to 2 minutes. If the flag persists, verify that the operating conditions (temperature, pressure, supply voltage and current) are within specified limits and that all connections with the gas head and peripheral sensors are made properly. When this flag is set the GAS status LED turns orange. WARNING: Power off the EC100 electronics before disconnecting the gas analyzer.
3	Motor Speed	Set when the motor speed is outside the prescribed limits. It may occasionally be set for short periods of time (10 to 15 seconds), but if it persists, the user should consult with Campbell Scientific.
4	TEC Temperature	Set when the infrared detector temperature is outside the prescribed limits. It may occasionally be set for short periods of time (10 to 15 seconds), but if it persists the user should consult the factory. Verify that ambient temperature and power supply voltage are within the specifications.

TABLE 8-2. Diagnostic Flags and Suggested Actions

Flag Number	Flag Name	Comments
5	Source Power	Set every time the infrared source power is outside the prescribed limits. It may occasionally be set for short periods of time (10 to 15 seconds), but if it persists, the user should consult with Campbell Scientific. Verify that ambient temperature and power supply voltage are within specifications.
6	Source Temperature	Set when the internal temperature is outside the specified safe operation limits (–35 to 55 °C). If this flag is set the sensor head will be turned off until the internal temperature is within the range –30 to 50 °C. If the flag is set and ambient temperature is within the specified range, consult with Campbell Scientific.
7	Source Current	Set when the infrared source current is outside the prescribed limits. It may occasionally be set for short periods of time, but if it persists the user should consult with Campbell Scientific.
8	Off	Set when the analyzer head is powered off by the user, the data logger program, or the EC100 operating system when the LIGHT_TEMP flag is set.
9	Synchronization	Set when sampling errors are detected. Sampling errors are most often caused by strong electromagnetic interference. If the flag persists, consult with Campbell Scientific.
10	Ambient Temperature	Set when the ambient temperature is below –30 °C or above 55 °C or when the air temperature sensor is not connected. If the user enters a fixed temperature, this temperature must be within the range –30 to 55 °C.
11	Ambient Pressure	Set when the ambient pressure is outside the specified limits (55 to 120 kPa) or the external pressure sensor is configured but not connected.
12	CO ₂ I	Set if CO ₂ measurement signal is outside prescribed limits. It can be turned on when the measurement path is obstructed by insects, dust, precipitation, condensation etc. If it persists, consult with Campbell Scientific.

TABLE 8-2. Diagnostic Flags and Suggested Actions

Flag Number	Flag Name	Comments
13	CO ₂ I ₀	Set if CO ₂ reference signal is outside prescribed limits. It can be turned on when the measurement path is obstructed by insects, dust, precipitation, condensation etc. If it persists, consult with Campbell Scientific.
14	H ₂ O I	Set if H ₂ O measurement signal is outside prescribed limits. It can be turned on when the measurement path is obstructed by insects, dust, precipitation, condensation etc. If it persists, consult with Campbell Scientific.
15	H ₂ O I ₀	Set if H ₂ O measurement signal is outside prescribed limits. It can be turned on when the measurement path is obstructed by insects, dust, precipitation, condensation etc. If it persists, consult with Campbell Scientific.
16	H ₂ O I ₀ Variation	Set if fast changes in the CO ₂ reference signal are detected. If it persists, consult with Campbell Scientific.
17	CO ₂ O I ₀ H ₂ O I ₀ Variation	Set if fast changes in the H ₂ O reference signal are detected. If it persists, consult with Campbell Scientific.
18	CO ₂ Signal Strength	Set if the ratio of the CO ₂ measurement and the CO ₂ reference signals are outside prescribed limits. It can be turned on when the measurement path is obstructed by insects, dust, precipitation, condensation etc. If it persists, consult with Campbell Scientific.
19	H ₂ O Signal Strength	Set if the ratio of the H ₂ O measurement and the H ₂ O reference signals is outside prescribed limits. It can be turned on when the measurement path is obstructed by insects, dust, precipitation, condensation etc. If it persists, consult with Campbell Scientific.
20	Calibration Error	Set if there is a problem reading or writing into the analyzer's head memory. Power off the EC100 and reconnect the head. If the flag persists, consult with Campbell Scientific. For more information on the head memory refer to Section 4.3, <i>Gas Head Memory</i> (p. 3).
21	Heater Ctrl Off	
22	Not Used	

Appendix A. EC150 Settings

Operation of the EC150 can be customized by changing the values of the settings. Factory defaults will work well for most applications, but the user may adjust the settings with a computer using either the *ECMon* software (see Appendix A.3, *ECMon* (p. A-7)) or the *Device Configuration Utility* (see Appendix A.4, *Device Configuration Utility* (p. A-9)), or with a data logger using the **EC100Configure()** CR Basic instruction (see Appendix A.5, *EC100Configure() Instruction* (p. A-9)).

When the EC150 is connected to a data logger, the settings of the analyzer can be configured automatically by the CR Basic program.

A.1 Factory Defaults

TABLE A-1 shows the default value for each of the settings.

TABLE A-1. Factory Default Settings	
Setting	Default
SDM Address	1
Bandwidth	20 Hz
Unprompted Output	disabled
RS-485 Baud Rate	115200 bp
Unprompted Output Rate	10 Hz
Analog Output	disabled
ECMon Update Rate	10 Hz
Temperature Sensor	Auto-select (EC150 Temperature Probe)
Pressure Sensor	EC100 Basic or EC100 Enhanced (depends on initial order configuration)
Pressure Differential Enable	Auto-Select (Disabled for EC150)
Heater Control	Disabled

A.2 Details

This section gives an explanation for each setting. The value of each setting is stored either in the non-volatile memory of the EC100 electronics or the EC150 gas head. The section also explains the details of where settings are stored. For convenience all settings and calibration information associated with the operation of the gas head are stored in non-volatile memory located in the head.

Another group of settings pertinent to the operation of the EC100 electronics are stored in non-volatile memory. These settings are the first seven in TABLE A-1. For more details refer to the following sections.

A.2.1 SDM Address

This parameter must be set to use SDM output from the EC100. See Section 4.6.2.1, *SDM Output (p. 5)*, for details on using SDM output.

Each SDM device on the SDM bus must have a unique address. The EC150 has a factory default SDM address of 1, but may be changed to any integer value between 0 and 14. The value 15 is reserved as an SDM group trigger.

The SDM address is stored in non-volatile memory of the EC100 electronics.

A.2.2 Bandwidth

The EC100 has a user-selectable, low-pass filter to select the bandwidth (5, 10, 12.5, or 20 Hz). Setting the bandwidth to a lower value will reduce noise. However, it must be set high enough to retain the high-frequency fluctuations in CO₂ and H₂O, or the high frequency contributions to the flux will be lost. The factory default bandwidth is set to 20 Hz which is sufficient for most flux applications. Lower bandwidth settings may be used for higher measurement heights which inherently have lower frequency content. Refer to Appendix B, *Filter Bandwidth and Time Delay (p. B-1)*, for more information on the digital filter options.

If a spectral analysis is performed to evaluate the experimental setup, the bandwidth should be set to the Nyquist frequency, which is half the data logger sample rate (for SDM output) or half the unprompted output rate (for USB and RS-485 output). This ensures that the data will not be under-sampled and that higher frequency variations will not be aliased to lower frequencies.

NOTE If too small a bandwidth is selected, high frequency fluxes will be filtered.

The **Bandwidth** setting is stored in non-volatile memory of the EC100 electronics.

A.2.3 Unprompted Output

If the EC100 is to output data in one of the unprompted modes (USB or RS-485, see Appendix C.1, *USB or RS-485 Output (p. C-1)*), this setting must be set accordingly. The factory default is to disable the unprompted output, assuming data will be logged via SDM (see Section 4.6.2.1, *SDM Output (p. 5)*).

Only one unprompted output type (for example, USB or RS-485) may be selected at a given time. The rate at which the EC100 outputs these data is determined by the **Unprompted Output Rate** setting.

The **Unprompted Output Rate** setting is stored in non-volatile memory of the EC100 electronics.

A.2.4 Unprompted Output Rate

When the Unprompted output is enabled, this setting determines the output rate for unprompted output (USB or RS-485, see Appendix C.1, *USB or RS-485 Output (p. C-1)*). If the unprompted output is disabled, this parameter is not used. The factory default output rate is 10 Hz, but it may be set to 10, 25, or 50 Hz.

The Unprompted Output setting is stored in non-volatile memory of the EC100 electronics.

A.2.5 RS-485 Baud Rate

If the unprompted output mode is set to RS-485, the **RS-485 Baud Rate** parameter determines the baud rate. Otherwise this setting is not used. The RS-485 baud rate defaults to 115200 bps, although the user may enter another value.

The **RS-485 Baud Rate** setting is stored in non-volatile memory of the EC100 electronics.

A.2.6 Analog Output

The EC100 has two analog outputs for CO₂ and H₂O densities (see Appendix C.2, *Analog Outputs (p. C-3)*). These outputs may be enabled or disabled with this setting. The default is for analog output to be disabled.

The **Analog Output** setting is stored in non-volatile memory of the EC100 electronics.

A.2.7 ECMon Update Rate

The **ECMon Update Rate** setting determines the rate at which data are sent over the USB connection to the computer while running *ECMon*. The default setting of 10 Hz should be adequate in most situations.

The **ECMon Update Rate** setting is stored in non-volatile memory of the EC100 electronics.

A.2.8 Temperature Sensor

The **Temperature Sensor** setting configures the EC100 electronics to work with either an EC150 open-path gas analyzer or an EC155 closed-path gas analyzer. The EC150 measures ambient air temperature using a thermistor probe mounted in the solar radiation shield (see Section 6.3.3, *Connect the EC150 Temperature Probe (p. 23)*).

With the **Auto-Select** default setting, the EC100 will automatically detect that an EC150 is connected to the electronics and will report ambient air temperature measurements from the thermistor probe.

The EC150 temperature sensor is measured at 1Hz, and is not synchronized to the CO₂/H₂O measurements.

To diagnose problems with the temperature measurement, a fixed temperature value may be used, or the temperature sensor may be selected manually.

The **Temperature Sensor** setting is stored in the non-volatile memory of the EC150 head.

A.2.9 Fixed Temperature Value

If the Temperature Sensor setting is **None**, the EC150 will use the value of the **Fixed Temperature Value** setting for the sample temperature. This mode is intended for troubleshooting only. In normal operation, the **Temperature Sensor** is set to **Auto-Select**, and this setting is not used.

The **Fixed Temperature Value** setting is stored in non-volatile memory of the EC100 electronics.

A.2.10 Pressure Sensor

There are three options for measuring barometric pressure for the EC150 that have different corresponding **Pressure Sensor** settings.

1. The EC100 has an on-board barometer that Campbell Scientific refers to as the EC100 basic barometer. This barometer is mounted on the EC100 electronics board as shown in FIGURE A-1.

EC100 Basic Barometer:

The EC100 always includes the EC100 basic barometer as a factory default and the default settings is **EC100 Basic**.

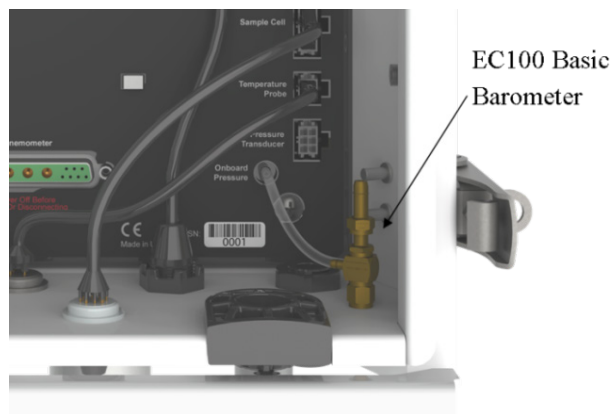


FIGURE A-1. Location of EC100 basic barometer

2. An enhanced-performance barometer can be specified when ordering an EC100 for any of Campbell's gas analyzers, and is referred to as the enhanced barometer. The enhanced barometer is installed in the factory when specified at the time of order. It will come mounted on the top wall of the EC100 environmental enclosure towards the left, as shown in FIGURE A-2.

The enhanced barometer can provide greater accuracy in certain environmental conditions that cannot be achieved with the standard barometer. FIGURE A-3 compares the expected error relative to environmental conditions for the two barometers. Errors related to the altitude of the study site may also warrant the choice of one barometer over the other. Given the various parameters that drive the decision, the most prudent route is to provide a Campbell Scientific sufficient detail about the expected monitoring site at the time of order.

EC100 Enhanced Barometer:

If the EC100 is ordered with the enhanced barometer, the factory default setting is **EC100 Enhanced**.



FIGURE A-2. Location of EC100 enhanced barometer

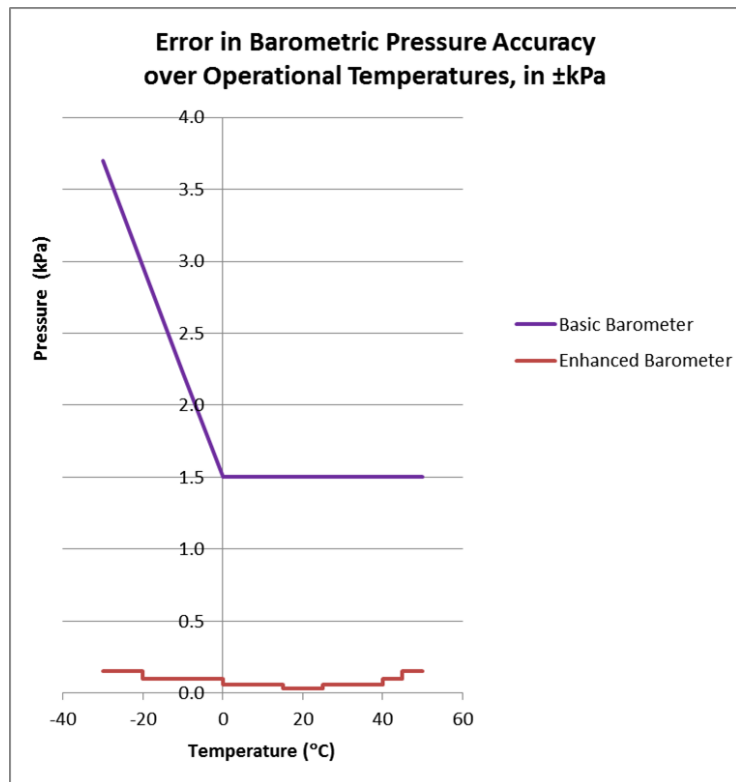


FIGURE A-3. Comparison of error in basic versus enhanced barometer over operational temperatures

3. The option of a third barometer choice is also available but is rarely used. A user-supplied barometer option can also be programmed in the EC100 electronics. This setting determines which pressure sensor will be used to measure the barometric pressure.

User-supplied Barometer:

When a user supplies a barometer, the setting should be changed to **User Supplied** and the appropriate values for gain and offset must be entered.

Sampling Frequency:

The enhanced barometer is sampled at 1 Hz. If the user supplies an external pressure sensor, it is sampled at 1 Hz. The on-board pressure sensor is measured at 10 Hz. In all cases, the pressure sensor measurement is not synchronized to the CO₂ and H₂O measurements.

The pressure sensor also allows the setting **None** for the **Pressure Sensor**. This mode is intended for troubleshooting only. The EC100 will use a fixed value for pressure.

The **Pressure Sensor** setting is stored in non-volatile memory in the EC150 head.

A.2.10.1 Pressure Gain

This setting is not used unless the **Pressure Sensor** is set to **User Supplied**. Then this setting gives the gain factor (kPa/V) used to convert measured voltage to pressure. If the **Pressure Sensor** is set to **EC100 Basic** or **EC100 Enhanced**, this setting is not used.

The **Pressure Gain** setting is stored in non-volatile memory of the EC100.

A.2.10.2 Pressure Offset

This setting is not used unless the **Pressure Sensor** is set to **User Supplied**. Then this setting gives the offset (kPa) used to convert measured voltage to pressure. If the **Pressure Sensor** is set to **EC100 Basic** or **EC100 Enhanced**, this setting is not used.

The **Pressure Offset** setting is stored in the EC100 electronics.

A.2.10.3 Fixed Pressure Value

If the **Pressure Sensor** setting is **None**, the EC150 will use the value of this setting for the barometric pressure. This mode is intended for troubleshooting only. In normal operation this setting is not used.

The **Fixed Pressure Value** setting is stored in the EC100 electronics.

A.2.11 Pressure Differential Enable

This setting should remain disabled. It is used only for closed-path analyzers.

The **Pressure Differential Enable** setting is stored in non-volatile memory in the EC150 head.

A.2.12 Heater Control

When set to automatic, this setting applies a voltage between 0 and 4000 mV to heaters near the optical windows of the analyzer. Heated windows inhibit the formation of condensation, such as dew and frost, and help the analyzer recover more quickly when precipitation has blocked the optical path.

The **Heater Control** setting is stored in non-volatile memory in the EC150 head.

A.2.13 Head Power Off

When enabled, the EC150 gas head is turned off. The head may be turn on/off under data logger control to conserve power or under EC100 control if the gas head temperature is outside the operating range. The *EC100Configure()* *Instructions* in the *CRBasic* program is used to turn the gas head on/off under data logger control.

The **Head Power Off** setting is stored in non-volatile memory of the EC100.

A.3 ECMon

Settings for the EC150 are easily verified and/or changed by using the Windows computer support software *ECMon* (short for Eddy Covariance Monitor), which is found at www.campbellsci.com/downloads.

Before connecting the EC100 to the computer, install the USB driver through *Device Configuration Utility* (available at www.campbellsci.com/downloads). Select the EC100 device type, and click **Install USB Driver**.

Once the driver is installed, download and run the *ECMon.exe* install file. Launch *ECMon* and connect the EC100 electronics to the computer with the included EC100 USB cable. The USB connection for the EC100 electronics is found on the bottom of the enclosure (see FIGURE 6-13). Once connected, select the appropriate communications port in the *ECMon* Main Page and click **Connect** (see FIGURE A-4). Next click on the **Setup** button. All of the above settings are now available for the user to change (see FIGURE A-5).

Besides changing settings, *ECMon* is also a useful tool for other common tasks such as:

- Monitoring real-time data from the EC150 using the Main window
- Performing a manual zero and span of the instrument (see Section 7, *Zero and Span* (p. 27))
- Troubleshooting and monitoring diagnostics using the Status window

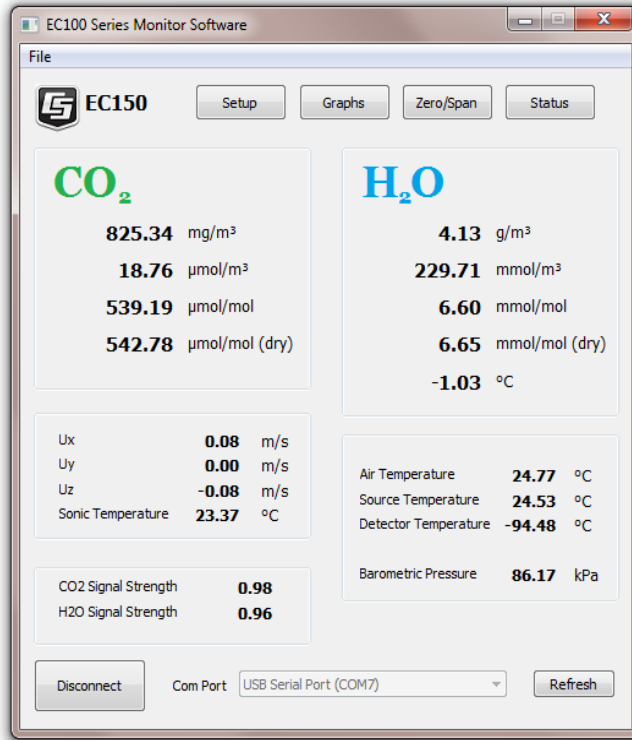


FIGURE A-4. Main screen of ECMon

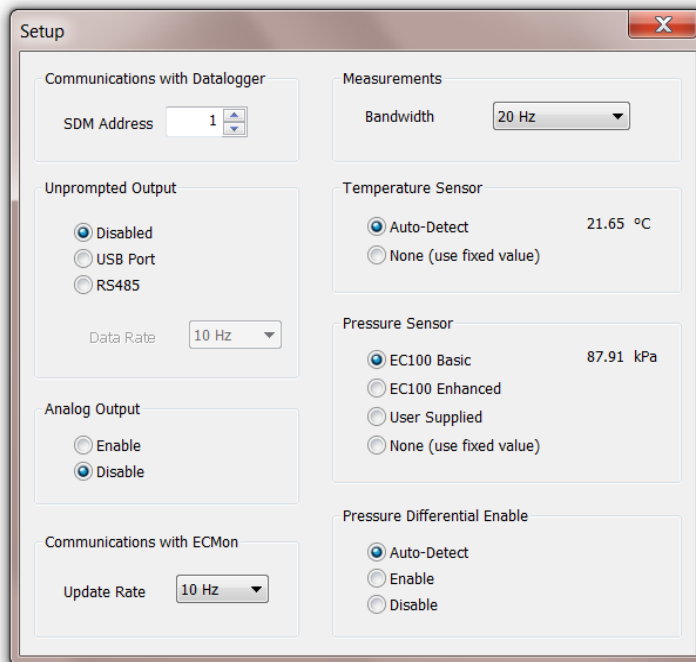


FIGURE A-5. Setup screen in ECMon

A.4 Device Configuration Utility

The *Device Configuration Utility* software may also be used to change settings, although *ECMon* is generally preferred as the user interface is more intuitive.

Device Configuration Utility may be downloaded at www.campbellsci.com/downloads.

After launching the **Device Configuration Utility**, select **EC100** from the list of device types. If this is the first time connecting it to the computer, click **Install USB Driver** before connecting with the USB cable. Then, with the EC100 connected to the computer, select the correct USB communication port, and click **Connect**. Once connected, the **Settings** tab displays all current settings. Click **Apply** to save any changes.

Device Configuration Utility is also used to send an updated operating system to the EC100 electronics. The **Send OS** tab gives directions on this procedure, or you can watch the video tutorial [Updating the EC100 Operating System](#).

A.5 EC100Configure() Instruction

EC100Configure() is an alternate way to retrieve and modify setting. While *ECMon* and *Device Configuration Utility* software are user-interactive, the **EC100Configure()** instruction allows automated control under *CRBasic* data logger programming.

EC100Configure() is a processing task instruction. When running in pipeline mode, the data logger will execute the instruction from the processing task. This functionality allows the instruction to be placed in conditional statements. Execution from processing also introduces ramifications when attempting to execute the **EC100Configure()** instruction while other SDM instructions are executing in pipeline mode. This instruction locks the SDM port during the duration of its execution. If the pipelined SDM task sequencer needs to run while the SDM is locked, it will be held off until the instruction completes. This locking will likely result in skipped scans when reconfiguring an EC150.

NOTE

For the EC150 to save settings, it must go through a lengthy write-read-verify process. To avoid saving the settings after each set command, the resulting code can be used to determine if any settings were modified from their original value. When a change is detected, the save settings command (command code **99**) can then be sent to the EC150. The *DestSource* parameter variable should be set to **2718** to save the settings. The reception of this command is acknowledged but since it takes up to a second to complete, a successful return code does not mean that all of the data was successfully written to the appropriate non-volatile memory.

The instruction syntax is:

```
EC100Configure(Result, SDMAddress, ConfigCmd, DestSource)
```

Result is a variable that contains a value indicating the success or failure of the command. A result code of *0* means that the command was successfully

executed. If reading a setting, 0 in the result code means that the value in the *DestSource* variable is the value the desired setting has in the EC150. When writing a setting, if the result code is 0, the value and setting were compatible, but the value was not changed because it contained the same value that was sent. A return code of 1 from the set operation means that the value was valid, different, set and acknowledged. This allows *CRBasic* code to control whether or not to save the settings. *NAN* (not a number) indicates that the setting was not changed or acknowledged or a signature failure occurred.

SDMAddress defines the address of the EC150 to configure. Valid SDM addresses are 0 through 14. Address 15 is reserved for the **SDMTrigger()** instruction.

ConfigCmd is a variable that indicates whether to get or set a setting. The options are listed in TABLE A-2.

DestSource is a variable that will contain the value to read when getting a setting, or that will contain the value to send when writing a setting to the EC150.

TABLE A-2. ConfigCmd Values for Setting and Retrieving Settings		
ConfigCmd Variable		Setting Description (some settings list possible values for the DestSource variable)
Set	Retrieve	
0	100	Bandwidth: <ul style="list-style-type: none"> • 5 = 5 Hz • 10 = 10 Hz • 12 = 12.5 Hz • 20 = 20 Hz
1	101	Unprompted Output: <ul style="list-style-type: none"> • 10 = 10 Hz • 25 = 25 Hz • 50 = 50 Hz
2	102	Pressure Sensor: <ul style="list-style-type: none"> • 0 = EC100 Basic • 1 = User supplied • 2 = EC100 Enhanced • 3 = None (use fixed value)
3	103	Differential Pressure: <ul style="list-style-type: none"> • 0 = Disable • 1 = Enable
4	104	Fixed Pressure Value
5	105	Pressure Offset
6	106	Pressure Gain

TABLE A-2. ConfigCmd Values for Setting and Retrieving Settings		
ConfigCmd Variable		Setting Description (some settings list possible values for the DestSource variable)
Set	Retrieve	
7	107	Temperature Sensor: <ul style="list-style-type: none"> • 0 = EC150 Temperature Probe • 1 = EC155 Sample Cell Thermistor • 2 = EC155 Sample Cell Thermocouple • 3 = None (use fixed value) • 4 = Auto select
8	108	Fixed Temperature Value
9	109	Unprompted Output Mode: <ul style="list-style-type: none"> • 0 = Disable • 1 = USB • 2 = RS-485
10	110	RS-485 Baud Rate
11	111	Span/Zero Control: <ul style="list-style-type: none"> • 0 = Inactive • 1 = Zero • 2 = Span CO₂ • 3 = Span H₂O (See Appendix A.5.1, <i>ConfigCmd 11 Zero-and-Span Control (p. A-12).</i>)
12	112	CO ₂ Span Concentration
13	113	H ₂ O Span Dewpoint Temperature
14	114	CO ₂ Zero
15	115	CO ₂ Span
16	116	H ₂ O Zero
17	117	H ₂ O Span
18 or 218	118	Heater Voltage (0 to 4.0 V, -1 = Off)
19	119	Reserved
20	120	Analog Output Enable: <ul style="list-style-type: none"> • 0 = Disable • 1 = Enable
21	121	PowerDown: <ul style="list-style-type: none"> • 0 = Gas Head On • 1 = Gas Head Off
99	N/A	Save Settings to EEPROM memory

A.5.1 ConfigCmd 11 Zero-and-Span Control

To perform zeroing of CO₂ and H₂O, *ConfigCmd 11* is set to **1**. After the EC150 completes the zero, it will write the value to **-1**. The data logger can poll this value or simply wait for a period of time to allow the zeroing to complete. To perform CO₂ span, the *CO₂ Span Concentration* setting (*ConfigCmd 12*) must be written to the proper value in ppm CO₂ prior to setting the Span/Zero Control setting (*ConfigCmd 11*) to **2**. After the CO₂ span is completed, the value of the *Span/Zero Control* setting will change to **-2**. H₂O span is similar to CO₂. First the *H₂O Dew Point* value (*ConfigCmd 13*) must be written to the desired value. Then the *Span/Zero Control* setting is set to **3**. After the EC150 completes the span, the span control setting is written as **-3**. *ConfigCmds 14* through *17* automatically store the results of the zero-and-span procedure. Each result is a coefficient used in the gas analyzer's algorithms for calculating gas concentrations.

A.6 Example CRBasic Program

CRBasic Example A-1. CR3000 Example Program

```
'CR3000 Series Data Logger

Public sonic_irga(12)
Alias sonic_irga(1) = Ux
Alias sonic_irga(2) = Uy
Alias sonic_irga(3) = Uz
Alias sonic_irga(4) = Ts
Alias sonic_irga(5) = diag_sonic
Alias sonic_irga(6) = CO2
Alias sonic_irga(7) = H2O
Alias sonic_irga(8) = diag_irga
Alias sonic_irga(9) = cell_tmpr
Alias sonic_irga(10) = cell_press
Alias sonic_irga(11) = CO2_sig_strgth
Alias sonic_irga(12) = H2O_sig_strgth
Units Ux = m/s
Units Uy = m/s
Units Uz = m/s
Units Ts = C
Units diag_sonic = arb
Units CO2 = mg/m^3
Units H2O = g/m^3
Units diag_irga = arb
Units cell_tmpr = C
Units cell_press = kPa
Units CO2_sig_strgth = arb
Units H2O_sig_strgth = arb

DataTable (ts_data,TRUE,-1)
  DataInterval (0,0,mSec,10)

  Sample (12,Ux,IEEE4)
EndTable

BeginProg
  Scan (100,mSec,0,0)
  EC100 (Ux,1,1)
  CallTable ts_data
  NextScan
EndProg
```

Appendix B. Filter Bandwidth and Time Delay

The EC100 measures CO₂ and H₂O from the EC150 gas analyzer head. It will also measure wind velocity and sonic temperature if the optional CSAT3A sonic head is being used. EC100 measurements occur at 100z and then a user-selectable, low-pass filter is applied. The available filter bandwidths are 5, 10, 12.5, and 20 Hz.

FIGURE B-1 shows the amplitude response of these filters. The EC100 filters provide a flat pass band, a steep transition from pass band to stop band, and a well-attenuated stop band. FIGURE B-2 compares the EC100 10-Hz filter to a 50-ms moving average filter with approximately the same bandwidth.

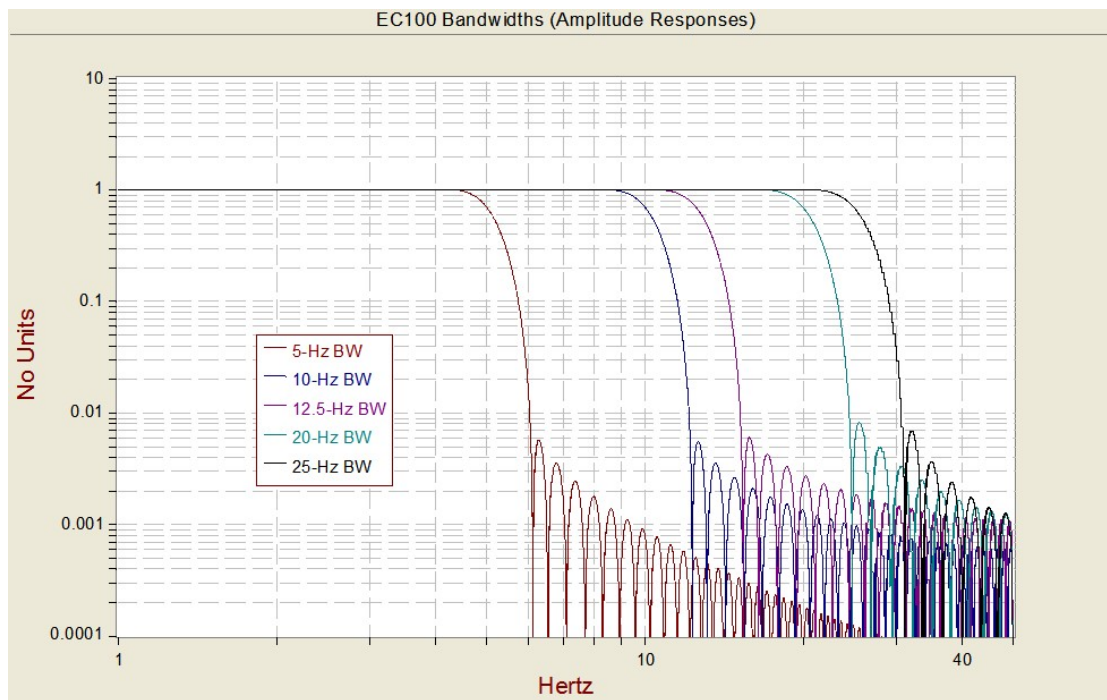


FIGURE B-1. Amplitude response of EC100 filter at various bandwidths

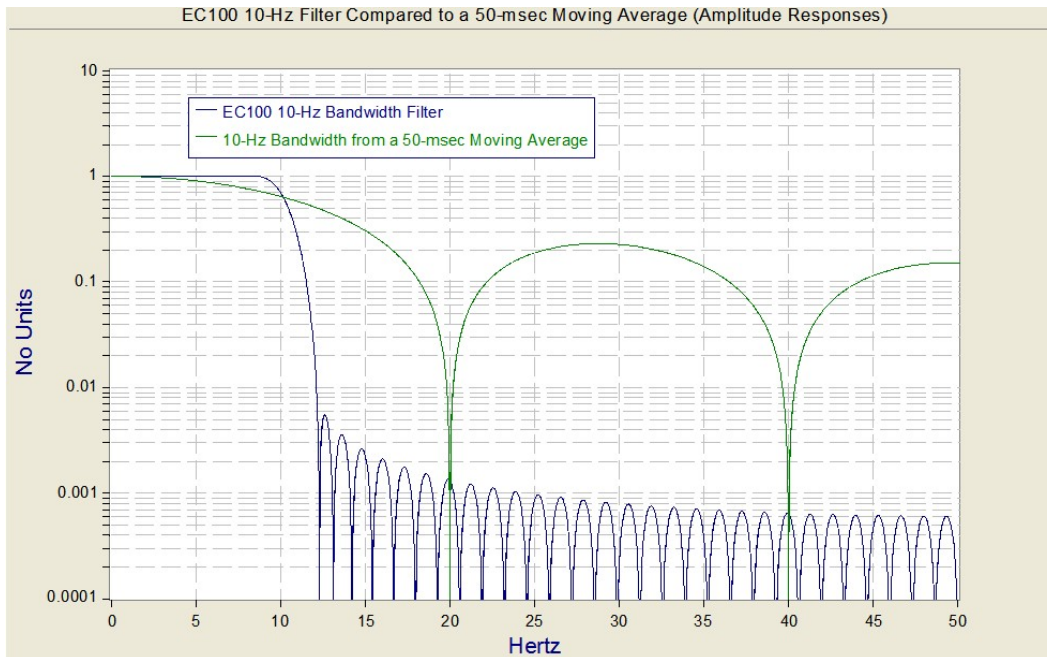


FIGURE B-2. Frequency response comparison of EC100 10-Hz bandwidth and a 50-msec moving average

The ideal eddy-covariance filter is one that is wide enough to preserve the low-frequency signal variations that transport flux, yet narrow enough to attenuate high-frequency noise. In addition, to minimize aliasing (defined as the misinterpretation of high-frequency variation as lower-frequency variation), the measurement bandwidth must be less than half of the sample rate or the data logger scan rate.

Two factors complicate choosing the ideal eddy-covariance bandwidth. First, the flux signal bandwidth varies from one installation to another, and the flux signal bandwidth varies with mean wind speed at a given installation. Second, the fast sample rate required to anti-alias a desired signal bandwidth may result in large, unwieldy data sets.

Fortunately, the covariance calculation itself relaxes the need for the ideal bandwidth. The time-averaged (typically thirty minutes) covariance calculations inherently reduce noise, and second, aliasing does not degrade the accuracy of covariance calculations. The factory default for the EC100 bandwidth (20 Hz) is rather wide to preserve the signal variations that transport flux. The default bandwidth is suitable for most flux applications. Additional bandwidths are available for users desiring to match the EC100 filter bandwidth to their data acquisition sample rate to avoid aliasing. In this case, the selected bandwidth should be one-half of the sample rate. However, users should be careful to avoid attenuation of flux-carrying signals.

The EC100 electronics synchronously sample the EC150 analyzer and the CSAT3A sonic head. However, users wishing to synchronize their EC100 data with other measurements (for example, a fine-wire thermocouple) in the data acquisition system must account for the time delay of the EC100 filter. TABLE B-1 shows the delay for each of the filter bandwidths. The EC100 provides a constant time delay for all spectral components within each filter's pass band.

Bandwidth (Hz)	Time Delay (ms)
5	800
10	400
12.5	320
20	200
25	160

The following examples show how to use TABLE B-1. To synchronize EC100 data to other data logger measurements when the data logger scan rate is 25 Hz and the EC100 bandwidth is set to 20 Hz (a 200-msec time delay from TABLE B-1), delay the non-EC100 data by five data logger scans. Similarly, for a 10-Hz data logger scan rate and the same 20-Hz EC100 bandwidth, delay the non-EC100 data by two data logger scans to match the EC100 data. For the best synchronicity, choose a data logger scan interval that is an integer multiple of the EC100 filter delay.

The EC100 measures gas and wind data at 60 Hz, and 60-Hz data are down-sampled to the data logger scan rate through SDM communications (see Section 4.6.2, *EC100 Outputs (p. 4)*). This process synchronizes EC100 gas and wind data with other signals measured by the data logger to within ± 8.33 ms (plus or minus one-half of the inverse of 60 Hz).

Alternately, when sending data to a data acquisition system that is not manufactured by Campbell Scientific, the EC100 down-samples its USB and RS-485 outputs to a user-selectable rate of 10, 25, or 50 Hz. Although the gas and wind data from the EC100 remain synchronized with one another, the user must consider the down-sampled output interval when synchronizing the EC100 data with other measurements in their system. These slower output intervals will increase the asynchronicity of EC100 data with other system measurements.

Appendix C. Alternate EC100 Outputs

C.1 USB or RS-485 Output

C.1.1 Specifications

Digital

RS-485

Data type:	ASCII
Output Rate^{8/}:	5 to 50 Hz
Baud rate^{8/}:	1200 to 230400 bps USB

USB

Data type:	ASCII
Output rate^{8/}:	10, 25, or 50 Hz

C.1.2 Detailed Information

In contrast to the SDM output mode, which is prompted by a data logger, data can also be output from the EC100 via USB or RS485 in an unprompted mode. In this case, the EC100 sends out data without initiation from the receiving device at a rate determined by the EC100. Only one unprompted output type (USB or RS-485) may be selected at a given time. USB output is used to connect a computer to the EC100 when using *Device Configuration Utility* or *ECMon* software. RS-485 output is recommended over SDM for sending data to a data logger if the cable length exceeds 100 meters.

To use USB or RS-485 output, connect a USB or RS-485 cable from the EC100 to the receiving device (see Section 6.3, *Wiring and Connections (p. 21)*), and configure the settings.

The *Unprompted Output* parameter must be set to USB or RS-485.

If RS-485 is selected, the *RS-485 Baud Rate* must be set.

The *Unprompted Output Rate* must be set to the desired output rate.

All output data will be in ASCII format, with each data element separated by a comma. To view the data in terminal mode, in *Device Configuration Utility* choose **Unknown** as the device type and enter **Connect**. Each record will terminate with a carriage return and line feed. Each record will terminate with a carriage return and line feed. TABLE C-1 below lists the elements in each output array, and FIGURE C-1 shows an example USB data feed in terminal mode.

Data Element	Description	Units or Comments
1	Ux	m/s
2	Uy	m/s

^{8/} user selectable

Data Element	Description	Units or Comments
3	Uz	m/s
4	Sonic Temperature	°C
5	Sonic Diagnostic Flag	
6	CO ₂ Density	mg·m ⁻³
7	H ₂ O Density	g·m ⁻³
8	Gas Diagnostic Flag	
9	Air Temperature	°C
10	Air Pressure	kPa
11	CO ₂ Signal Strength	Nominally 0.0 to 1.0
12	H ₂ O Signal Strength	Nominally 0.0 to 1.0
13	CO ₂ Density from Fast-response Temperature ^{1/}	mg·m ⁻³
14	Source Housing Temperature	°C
15	Detector Housing Temperature	°C
16	Counter	Arbitrary
17	Signature	Arbitrary in hexadecimal

^{1/} This additional CO₂ density output is available in EC100 OS version 7.01 or later. It uses humidity-corrected sonic temperature instead of ambient temperature measured by the EC100 temperature probe in the conversion of absorption measurements to CO₂ density. Using the sonic anemometer's fast-response temperature measurements, compensates for spectroscopic effects during high sensible heat flux regimes as explained in Helbig *et al.* (2016).

```
Terminal
0.12203,-0.07274,-0.05834,23.59059,0,747.631,7.688,1025,-96.232,87.209,0.974,0.973,782.241,23.491,22.837,2185,33c5
0.12673,-0.08360,-0.05479,23.61133,0,747.613,7.684,1025,-96.232,87.207,0.974,0.973,782.234,23.491,22.836,2186,102d
0.13146,-0.07658,-0.04989,23.64104,0,748.001,7.678,1025,-96.232,87.210,0.974,0.973,782.638,23.491,22.838,2187,71a3
0.12759,-0.06952,-0.04565,23.69220,0,747.856,7.674,1025,-96.232,87.210,0.974,0.973,782.521,23.491,22.836,2188,51bc
0.11779,-0.07186,-0.03915,23.68354,0,748.057,7.682,1025,-96.232,87.205,0.974,0.973,782.717,23.491,22.836,2189,e6a6
0.10961,-0.07217,-0.03338,23.69616,0,748.167,7.680,1025,-96.232,87.209,0.974,0.973,782.834,23.492,22.836,2190,cb49
0.10186,-0.06762,-0.02727,23.71120,0,748.221,7.678,1025,-96.347,87.209,0.974,0.973,782.924,23.492,22.837,2191,2a7b
0.07442,-0.04799,-0.02898,23.68484,0,748.151,7.677,1025,-96.347,87.208,0.974,0.973,782.840,23.492,22.836,2192,f06f
0.05359,-0.04180,-0.03101,23.70883,0,748.194,7.680,1025,-96.347,87.209,0.974,0.973,782.896,23.492,22.837,2193,f333
```

FIGURE C-1. USB data output in terminal mode

The final data element in each row or output array is the signature which can be used to identify transmission errors similar to a Cyclic-Redundancy-Check (CRC). The signature is a four character hexadecimal value that is a function of the specific sequence and number of bytes in the output array. To check for transmission errors, the recording device (such as a computer or data logger) calculates its own signature using each transmitted byte until encountering the

transmitted signature. The computed signature and the transmitted signature are compared. If they match, the data were received correctly

If signatures do not match, the data should be disregarded.

The block of code below is an example implementation of Campbell Scientific's signature algorithm in the programming language C. To generate the signature of an output array of bytes, the *seed* needs to be initialized to 0xaaaa and a pointer passed to the first byte of the output array. The number of bytes in the output array should be entered in as the *swath*. The returned value is the computed signature.

```
//signature(), signature algorithm.
// Standard signature is initialized with a seed of 0xaaaa.
// Returns signature.
unsigned short signature( unsigned char* buf, int swath,
unsigned short seed ) {
unsigned char msb, lsb;
unsigned char b;
int i;
msb = seed >> 8;
lsb = seed;
for( i = 0; i < swath; i++ ) {
b = (lsb << 1) + msb + *buf++;
if( lsb & 0x80 ) b++;
msb = lsb;
lsb = b;
}
return (unsigned short)((msb << 8) + lsb);
}
```

C.2 Analog Output

C.2.1 Specifications

Analog (two outputs for CO₂ and H₂O densities)

Voltage range:	0 mV to 5000 mV
Resolution:	76 μV (16 bit)
Update rate:	60 Hz
Accuracy (at 25 °C):	±3 mV

CO₂ density equation:	$\text{mg}\cdot\text{m}^{-3} = 0.38632 \cdot (\text{mV}_{\text{out}}) - 102.59$
Full scale range:	-103 to 1829 $\text{mg}\cdot\text{m}^{-3}$

H₂O density equation:	$\text{g}\cdot\text{m}^{-3} = 0.00865 \cdot (\text{mV}_{\text{out}}) - 2.26$
Full scale range:	-2 to 41 $\text{g}\cdot\text{m}^{-3}$

C.2.2 Detailed Information

Although digital outputs are generally preferred, analog outputs are available on the EC100 for compatibility with simple recording devices that cannot use the digital outputs. Analog outputs are subject to additional noise and digitization errors. Digital outputs include additional diagnostic data to assist with data quality assessment and troubleshooting. If analog output is enabled, the EC100 will output two analog signals that correspond to CO₂ density and

H₂O density. These signals range from 0 to +5 V. TABLE C-2 gives the multipliers and offsets for the analog outputs.

Analog output may also be used, however only CO₂ density and H₂O density will be output. For analog output, use cable CABLE2TP-L, the length of which is specified by the user when ordering. The connector labeled Analog Outputs on the EC100 panel indicates where each wire should be connected (CO₂ voltage signal, H₂O voltage signal, and two ground connections).

TABLE C-2. Multipliers and Offsets for Analog Outputs

Density (mg·m⁻³)	Voltage Output Multiplier (mg·m⁻³ V⁻¹)	Offset (mg·m⁻³)
CO ₂	386.32	-102.59
H ₂ O	8.65	-2.26

Appendix D. CSAT3A Orientation

D.1 Determining True North and Sensor Orientation

The orientation of the sonic anemometer negative x-axis is found by reading a magnetic compass and applying the site-specific correction for magnetic declination; where the magnetic declination is the number of degrees between true north and magnetic north. Magnetic declination for a specific site can be obtained from a USGS map, local airport, or through a NOAA web calculator (Appendix D.2, *Online Magnetic Declination Calculator (p. D-3)*). A general map showing magnetic declination for the Conterminous United States in 2015 is shown in FIGURE D-1.

Declination angles east of true north are considered negative, and are subtracted from 360 degrees to get true north as shown in FIGURE D-2. Declination angles west of true north are considered positive and are added to 0° to get true north as shown in FIGURE D-3.

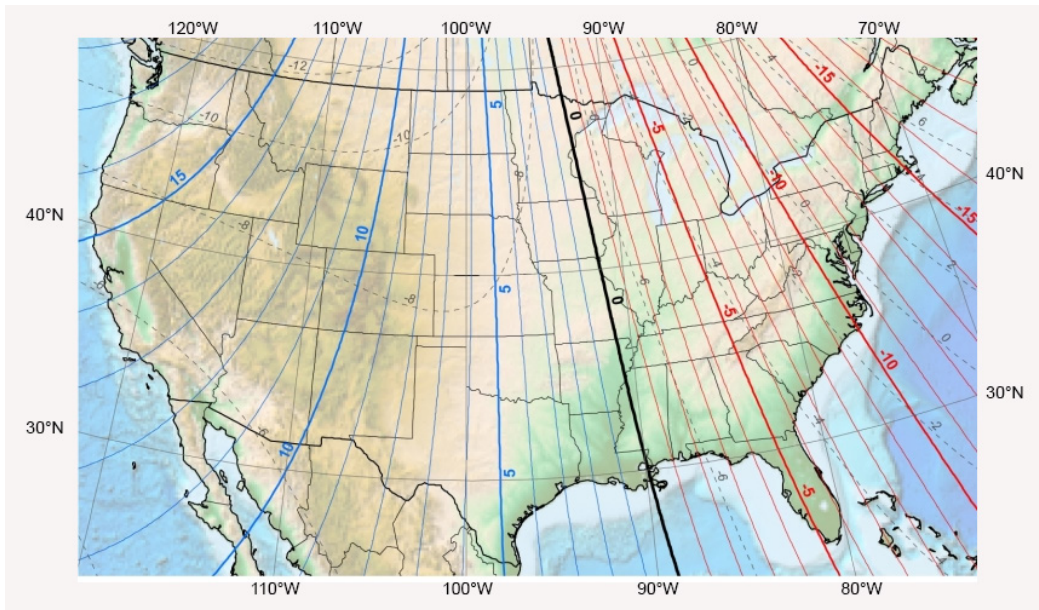


FIGURE D-1. Magnetic declination for the contiguous United States (2015)

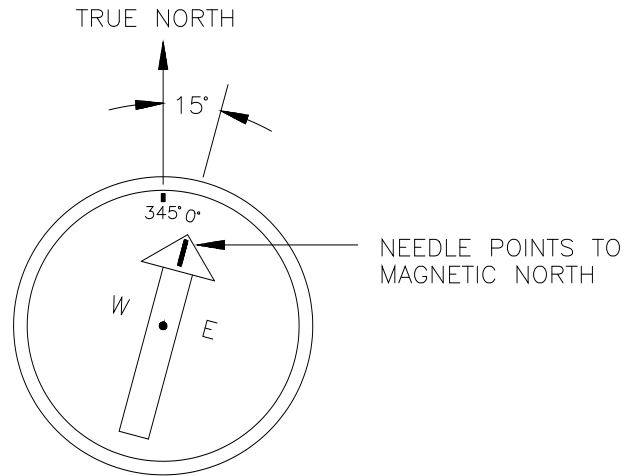


FIGURE D-2. Declination angles east of true north are subtracted from 360 to get true north

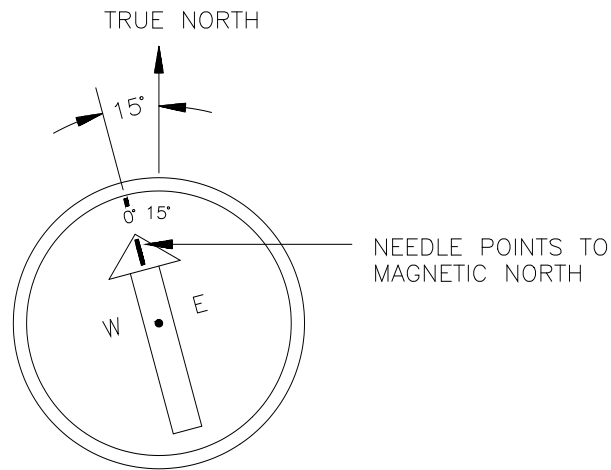


FIGURE D-3. Declination angles west of true north are added to 0 to get true north

D.2 Online Magnetic Declination Calculator

The magnetic declination web calculator published by NOAA's Geophysical Data Center is available at the following URL:

<https://www.ngdc.noaa.gov/geomag-web/#declination>. Enter the latitude, longitude, date, and the format you wish to view the data. Once entered, click "calculate" to determine the declination (FIGURE D-4).

NOAA NATIONAL CENTERS FOR ENVIRONMENTAL INFORMATION
NATIONAL OCEANIC AND ATMOSPHERIC ADMINISTRATION

NOAA > NESDIS > NCEI (formerly NGDC) > Geomagnetism

Magnetic Field Calculators

Declination | U.S. Historic Declination | Magnetic Field | Magnetic Field Component Grid

Magnetic Declination Estimated Value

Declination is calculated using the most recent [World Magnetic Model \(WMM\)](#) or the [International Geomagnetic Reference Field \(IGRF\)](#) model. For 1590 to 1900 the calculator is based on the [gufm1](#) model. A smooth transition from gufm1 to IGRF was imposed from 1990 to 1999. Declination results are typically accurate to 30 minutes of arc, but environmental factors can cause magnetic field disturbances. Results can be downloaded in HTML, XML, or CSV programmatically (API). For more information click the information icon.

Calculate Declination

Latitude: S N

Longitude: W E

Model: WMM (2014-2019) IGRF (1590-2019)

Date: Year Month Day

Result format: HTML XML CSV PDF

Declination

Model Used: WMM2015

Latitude: 41.7640593° N

Longitude: 111.8573484° W

Date	Declination
2018-11-09	11.47° E ± 0.36° changing by 0.11° W per year

Map Satellite

Logan

Map data ©2018 Google Terms of Use

NOAA > NESDIS > NCEI (formerly NGDC) > Geomagnetism

[Home](#) | [Contacts](#) | [Data](#) | [Disclaimers](#) | [Education](#) | [News](#) | [Privacy Policy](#)

FIGURE D-4. Online magnetic declination calculator with inputs and output for Logan, UT

The declination for Logan, UT is 11.47° E. Therefore, true north is 360° - 11.47° = 348.53°. So when looking at a compass at this location, true north is located at 348.53°, not 360°. Declination results are typically accurate to 30 minutes of arc, but environmental factors can cause magnetic field disturbances.

Appendix E. Useful Equations

The following table lists all the variables and constants used in the equations below:

TABLE E-1. Variables and Constants		
Variable or Constant	Description	Units
ρ_c	CO ₂ mass density	mg CO ₂ ·m ⁻³
ρ_v	H ₂ O mass density	g H ₂ O·m ⁻³
ρ_d	Mass density of dry air	g·m ⁻³
X_c	CO ₂ molar mixing ratio (concentration relative to dry air)	μmol CO ₂ ·mol ⁻¹
X_v	H ₂ O molar mixing ratio (concentration relative to dry air)	mmol H ₂ O·mol ⁻¹
M_c	Molecular weight of CO ₂	44 mg CO ₂ ·mmol ⁻¹
M_d	Molecular weight of dry air	0.029 g·mmol ⁻¹
M_v	Molecular weight of H ₂ O	0.018 g H ₂ O·mmol ⁻¹
P	Ambient pressure	kPa
R	Universal gas constant	8.3143×10 ⁻⁶ kPa·m ³ ·K ⁻¹ ·mmol ⁻¹
T	Ambient temperature	°C
e	Vapor pressure	kPa
f	Enhancement factor	Arbitrary
T_d	Dewpoint temperature	°C
T_{d_tmp}	Temporary variable for dewpoint calculation	Arbitrary

Mass Density from Molar Mixing Ratios

$$\rho_c = \frac{X_c M_c}{10^6} \left(\frac{P}{R(T + 273.15)} - \frac{\rho_v}{M_v} \right) \quad (D-1)$$

$$\rho_v = \frac{X_v P M_v}{R(T + 273.15)(1000 + X_v)} \quad (D-2)$$

$$\rho_d = \frac{(P - e) M_d}{R(T + 273.15)} \quad (D-3)$$

$$\rho_d = \frac{\left(P - \frac{X_v P}{1000 + X_v}\right) M_d}{R(T + 273.15)} \quad (\text{D-4})$$

$$\rho_d = \left(\frac{PM_d}{R(T + 273.15)}\right) \left(1 - \frac{X_v}{1000 + X_v}\right) \quad (\text{D-5})$$

Dew Point from Molar Mixing Ratio

$$T_d = \frac{240.97 T_{d_tmp}}{17.502 - T_{d_tmp}} \quad (\text{D-6})$$

$$T_{d_tmp} = \ln\left(\frac{X_v P}{0.61121 \cdot f(1000 + X_v)}\right) \quad (\text{D-7})$$

$$f = 1.00072 + (3.2 \times 10^{-5})P + (5.9 \times 10^{-9})PT^2 \quad (\text{D-8})$$

Water Vapor Molar Mixing Ratio from Dew Point

$$X_v = \frac{e}{P - e} 1000 \quad (\text{D-9})$$

$$e = 0.61121 \cdot f \cdot \text{EXP}\left(\frac{17.502T_d}{240.97 + T_d}\right) \quad (\text{D-10})$$

Water Vapor Mass Density from Dew Point

$$\rho_v = \frac{(0.018)(0.61121)f}{R(T + 273.15)} \text{EXP}\left(\frac{17.502T_d}{240.97 + T_d}\right) \quad (\text{D-11})$$

Vapor Pressure from Molar Mixing Ratio and Water Vapor Density

$$e = \frac{X_v P}{1000 + X_v} \quad (\text{D-12})$$

$$e = \frac{\rho_v R(T + 273.15)}{M_v} \quad (\text{D-13})$$

Equations (D-1) and (D-2) were derived from:

Leuning, R.: 2005, "Measurements of Trace Gas Fluxes in the Atmosphere Using Eddy Covariance: WPL Corrections Revisited", *Handbook of Micrometeorology*, **29**, 119-132.

Equations (D-3), (D-4), (D-5), (D-7), (D-9), and (D-13) were derived from:

Bolton, D.: 1980, "The Computation of Equivalent Potential Temperature", *Monthly Weather Review*, **108**, 1046-1053.

Equations (D-6), (D-8), (D-10) and (D-11) were derived from:

Buck, A. L.: 1981; "New Equations for Computing Vapor Pressure and Enhancement Factor", *Journal of Applied Meteorology*, **20**, 1528-1532.

Appendix F. Safety Data Sheets (SDS)

F.1 Molecular Sieve, Type 13X



Safety Data Sheet
per OSHA HazCom 2012

Page 1/4
Printing date 11/24/2015
Reviewed on 02/24/2012

1 Identification

Product identifier

Product name: Molecular sieve, Type 13X

Stock number: A10378

CAS Number:

63231-69-6

Relevant identified uses of the substance or mixture and uses advised against.

Identified use: SU24 Scientific research and development

Details of the supplier of the safety data sheet

Manufacturer/Supplier:

Alfa Aesar
Thermo Fisher Scientific Chemicals, Inc.
30 Bond Street
Ward Hill, MA 01835-8099
Tel: 800-343-0660
Fax: 800-322-4757
Email: tech@alfa.com
www.alfa.com

Information Department: Health, Safety and Environmental Department

Emergency telephone number:

During normal business hours (Monday-Friday, 8am-7pm EST), call (800) 343-0660. After normal business hours, call Carechem 24 at (866) 928-0789.

2 Hazard(s) identification

Classification of the substance or mixture in accordance with 29 CFR 1910 (OSHA HCS)

The substance is not classified according to the Globally Harmonized System (GHS).

Hazards not otherwise classified: No information known.

Label elements

GHS label elements: Not applicable

Hazard pictograms: Not applicable

Signal word: Not applicable

Hazard statements: Not applicable

WHMIS classification: Not controlled

Classification system:

HMS ratings (scale 0-4):

(Hazardous Materials Identification System)

HEALTH: 1 Health (acute effects) = 1

FIRE: 0 Flammability = 0

REACTIVITY: 0 Physical Hazard = 0

Other hazards

Results of PBT and vPvB assessment:

PBT: Not applicable

vPvB: Not applicable

3 Composition/information on ingredients

Chemical characterization: Substances

CAS# Description:

63231-69-6 Molecular sieve, Type 13x

4 First-aid measures

Description of first aid measures

After inhalation

Supply fresh air. If required, provide artificial respiration. Keep patient warm.

Seek immediate medical advice.

After skin contact

Immediately wash with water and soap and rinse thoroughly.

Seek immediate medical advice.

After eye contact: Rinse opened eye for several minutes under running water. Then consult a doctor.

After swallowing: Seek medical treatment.

Information for doctor

Most important symptoms and effects, both acute and delayed: No further relevant information available.

Indication of any immediate medical attention and special treatment needed: No further relevant information available.

5 Fire-fighting measures

Extinguishing media

Suitable extinguishing agents: Product is not flammable. Use fire-fighting measures that suit the surrounding fire.

Special hazards arising from the substance or mixture:

If this product is involved in a fire, the following can be released:

Metal oxide fume

Silicon oxide

Sodium oxide

Advice for firefighters

Protective equipment:

Wear self-contained respirator.

Wear fully protective impervious suit.

6 Accidental release measures

Personal precautions, protective equipment and emergency procedures

Wear protective equipment. Keep unprotected persons away.

Ensure adequate ventilation.

Environmental precautions: Do not allow material to be released to the environment without proper governmental permits.

Methods and material for containment and cleaning up: Pick up mechanically.

Prevention of secondary hazards: No special measures required.

Reference to other sections

See Section 7 for information on safe handling.

(Cont'd. on page 2)
USA

Product name: Molecular sieve, Type 13XSee Section 8 for information on personal protection equipment.
See Section 13 for disposal information.

(Contd. of page 1)

7 Handling and storage

Handling
Precautions for safe handling
 Keep container tightly sealed.
 Store in cool, dry place in tightly closed containers.
Information about protection against explosions and fires: The product is not flammable

Conditions for safe storage, including any incompatibilities
Storage
Requirements to be met by storerooms and receptacles: No special requirements.
Information about storage in one common storage facility: No information known.
Further information about storage conditions:
 Keep container tightly sealed.
 Store in cool, dry conditions in well sealed containers.
Specific end use(s) No further relevant information available.

8 Exposure controls/personal protection

Additional information about design of technical systems:
 Properly operating chemical fume hood designed for hazardous chemicals and having an average face velocity of at least 100 feet per minute.

Control parameters
Components with limit values that require monitoring at the workplace:
 The product does not contain any relevant quantities of materials with critical values that have to be monitored at the workplace.
Additional information: No data

Exposure controls
Personal protective equipment
General protective and hygienic measures
 The usual precautionary measures for handling chemicals should be followed.
 Keep away from foodstuffs, beverages and feed.
 Remove all soiled and contaminated clothing immediately.
 Wash hands before breaks and at the end of work.
 Maintain an ergonomically appropriate working environment.
Breathing equipment: Use suitable respirator when high concentrations are present.
Protection of hands:
 Impervious gloves
 Check protective gloves prior to each use for their proper condition.
 The selection of suitable gloves not only depends on the material, but also on quality. Quality will vary from manufacturer to manufacturer.
Penetration time of glove material (in minutes) Not determined
Eye protection: Safety glasses
Body protection: Protective work clothing.

9 Physical and chemical properties**Information on basic physical and chemical properties****General Information****Appearance:**

Form:	Powder/crystalline/beads
Color:	Light brown
Odor:	Odorless
Odor threshold:	Not determined.

pH-value:	Not applicable.
------------------	-----------------

Change in condition	
Melting point/Melting range:	Not determined
Boiling point/Boiling range:	Not determined
Sublimation temperature / start:	Not determined
Flammability (solid, gaseous)	Not determined.
Ignition temperature:	Not determined
Decomposition temperature:	Not determined
Auto igniting:	Not determined.

Danger of explosion:	Not determined.
Explosion limits:	
Lower:	Not determined
Upper:	Not determined
Vapor pressure:	Not applicable.
Density at 20 °C (68 °F):	1,1 g/cm ³ (9,18 lbs/gal)
Relative density	Not determined.
Vapor density	Not applicable.
Evaporation rate	Not applicable.
Solubility in / Miscibility with	
Water:	Insoluble
Partition coefficient (n-octanol/water):	Not determined.
Viscosity:	
dynamic:	Not applicable.
kinematic:	Not applicable.
Other information	No further relevant information available.

10 Stability and reactivity

Reactivity No information known.
Chemical stability Stable under recommended storage conditions.
Thermal decomposition / conditions to be avoided: Decomposition will not occur if used and stored according to specifications.
Possibility of hazardous reactions No dangerous reactions known
Conditions to avoid No further relevant information available.
Incompatible materials: No information known.
Hazardous decomposition products:
 Metal oxide fume
 Silicon oxide

(Contd. on page 3)
USA

Safety Data Sheet
per OSHA HazCom 2012

Page 3/4
Printing date 11/24/2015
Reviewed on 02/24/2012

Product name: Molecular sieve, Type 13X	
Sodium oxide	(Contd. of page 2)
11 Toxicological information	
<p>Information on toxicological effects Acute toxicity: No effects known. LD/LC50 values that are relevant for classification: No data Skin irritation or corrosion: May cause irritation Eye irritation or corrosion: May cause irritation Sensitization: No sensitizing effects known. Germ cell mutagenicity: No effects known. Carcinogenicity: No classification data on carcinogenic properties of this material is available from the EPA, IARC, NTP, OSHA or ACGIH. Reproductive toxicity: No effects known. Specific target organ system toxicity - repeated exposure: No effects known. Specific target organ system toxicity - single exposure: No effects known. Aspiration hazard: No effects known. Subacute to chronic toxicity: No effects known. Additional toxicological information: To the best of our knowledge the acute and chronic toxicity of this substance is not fully known.</p>	
12 Ecological information	
<p>Toxicity Aquatic toxicity: No further relevant information available. Persistence and degradability No further relevant information available. Bioaccumulative potential No further relevant information available. Mobility in soil No further relevant information available. Additional ecological information: General notes: Do not allow material to be released to the environment without proper governmental permits. Avoid transfer into the environment. Results of PBT and vPvB assessment PBT: Not applicable. vPvB: Not applicable. Other adverse effects No further relevant information available.</p>	
13 Disposal considerations	
<p>Waste treatment methods Recommendation Consult state, local or national regulations to ensure proper disposal. Uncleaned packagings: Recommendation: Disposal must be made according to official regulations.</p>	
14 Transport information	
UN-Number DOT, ADN, IMDG, IATA	Not applicable
UN proper shipping name DOT, ADN, IMDG, IATA	Not applicable
Transport hazard class(es) DOT, ADR, ADN, IMDG, IATA Class	Not applicable
Packing group DOT, IMDG, IATA	Not applicable
Environmental hazards:	Not applicable.
Special precautions for user	Not applicable.
Transport in bulk according to Annex II of MARPOL73/78 and the IBC Code	Not applicable.
Transport/Additional information:	
DOT	
Marine Pollutant (DOT):	No
UN "Model Regulation":	-
15 Regulatory information	
<p>Safety, health and environmental regulations/legislation specific for the substance or mixture GHS label elements Not applicable Hazard pictograms Not applicable Signal word Not applicable Hazard statements Not applicable National regulations This product is not listed in the U.S. Environmental Protection Agency Toxic Substances Control Act Chemical Substance Inventory. Use of this product is restricted to research and development only. This product must be used by or directly under the supervision of a technically qualified individual as defined by TSCA. This product must not be used for commercial purposes or in formulations for commercial purposes. SARA Section 313 (specific toxic chemical listings) Substance is not listed. California Proposition 65 Prop 65 - Chemicals known to cause cancer Substance is not listed. Prop 65 - Developmental toxicity Substance is not listed. Prop 65 - Developmental toxicity, female Substance is not listed. Prop 65 - Developmental toxicity, male Substance is not listed. Information about limitation of use: For use only by technically qualified individuals. Other regulations, limitations and prohibitive regulations Substance of Very High Concern (SVHC) according to the REACH Regulations (EC) No. 1907/2006. Substance is not listed. The conditions of restrictions according to Article 67 and Annex XVII of the Regulation (EC) No 1907/2006 (REACH) for the manufacturing, placing on the market and use must be observed. Substance is not listed. Annex XIV of the REACH Regulations (requiring Authorisation for use) Substance is not listed. Chemical safety assessment: A Chemical Safety Assessment has not been carried out.</p>	

USA
(Contd. on page 4)

Safety Data Sheet
per OSHA HazCom 2012

Page 4/4
Printing date 11/24/2015
Reviewed on 02/24/2012

Product name: Molecular sieve, Type 13X

(Contd. of page 3)

16 Other information

Employers should use this information only as a supplement to other information gathered by them, and should make independent judgement of suitability of this information to ensure proper use and protect the health and safety of employees. This information is furnished without warranty, and any use of the product not in conformance with this Material Safety Data Sheet, or in combination with any other product or process, is the responsibility of the user.

Department issuing SDS: Global Marketing Department

Date of preparation / last revision 11/24/2015 / -

Abbreviations and acronyms:

RID: Règlement international concernant le transport des marchandises dangereuses par chemin de fer (Regulations Concerning the International Transport of Dangerous Goods by Rail)
ICAO: International Civil Aviation Organization
ADR: Accord européen sur le transport des marchandises dangereuses par Route (European Agreement concerning the International Carriage of Dangerous Goods by Road)
IMDG: International Maritime Code for Dangerous Goods
DOT: US Department of Transportation
ATA: International Air Transport Association
CAS: Chemical Abstracts Service (division of the American Chemical Society)
HMIS: Hazardous Materials Identification System (USA)
WHMIS: Workplace Hazardous Materials Information System (Canada)
LC50: Lethal concentration, 50 percent
LD50: Lethal dose, 50 percent
vPvD: very Persistent and very Bioaccumulative
ACGIH: American Conference of Governmental Industrial Hygienists (USA)
OSHA: Occupational Safety and Health Administration (USA)
NTP: National Toxicology Program (USA)
IARC: International Agency for Research on Cancer
EPA: Environmental Protection Agency (USA)

USA

F.1 Magnesium Perchlorate



SAFETY DATA SHEET

1. Identification

Product identifier	MAGNESIUM PERCHLORATE, ANHYDROUS, REAGENT (ACS)	
Other means of identification		
Product code	55	
Recommended use	professional, scientific and technical activities: scientific research and development	
Recommended restrictions	None known.	
Manufacturer/Importer/Supplier/Distributor information		
Company name	GFS Chemicals, Inc.	
Address	P.O. Box 245 Powell OH 43065 US	
Telephone	Phone	740-881-5501
	Toll Free	800-858-9682
	Fax	740-881-5989
Website	www.gfschemicals.com	
E-mail	service@gfschemicals.com	
Emergency phone number	Emergency Assistance	Chemtrec 800-424-9300

2. Hazard(s) identification

Physical hazards	Oxidizing solids	Category 2
Health hazards	Serious eye damage/eye irritation	Category 2A
	Specific target organ toxicity, single exposure	Category 3 respiratory tract irritation
OSHA hazard(s)	Not classified.	
Label elements		



Signal word	Danger
Hazard statement	May intensify fire; oxidizer. Causes serious eye irritation. May cause respiratory irritation.
Precautionary statement	
Prevention	Keep/Store away from clothing and other combustible materials. Keep away from heat. Use only outdoors or in a well-ventilated area. Take any precaution to avoid mixing with combustibles. Avoid breathing dust. Wash thoroughly after handling. Wear protective gloves/eye protection/face protection.
Response	If inhaled: Remove person to fresh air and keep comfortable for breathing. If in eyes: Rinse cautiously with water for several minutes. Remove contact lenses, if present and easy to do. Continue rinsing. Call a POISON CENTER or doctor/physician if you feel unwell. If eye irritation persists: Get medical advice/attention. In case of fire: Use appropriate media for extinction.
Storage	Store in a well-ventilated place. Keep container tightly closed. Store locked up.
Disposal	Dispose of contents/container to an appropriate treatment and disposal facility in accordance with applicable laws and regulations, and product characteristics at time of disposal.
Hazard(s) not otherwise classified (HNOC)	Not classified.

3. Composition/information on ingredients

Substances

Hazardous components			
Chemical name	Common name and synonyms	CAS number	%
MAGNESIUM PERCHLORATE		10034-81-8	100

Material name: MAGNESIUM PERCHLORATE, ANHYDROUS, REAGENT (ACS)

55

Version #: 01

Revision date: Issue date: March-26-2013

SDS US

1 / 7

*Designates that a specific chemical identity and/or percentage of composition has been withheld as a trade secret.

4. First-aid measures

Inhalation	If dust from the material is inhaled, remove the affected person immediately to fresh air. Call a POISON CENTER or doctor/physician if you feel unwell.
Skin contact	Immediately flush skin with plenty of water. Get medical attention if irritation develops and persists.
Eye contact	Immediately flush eyes with plenty of water for at least 15 minutes. Remove contact lenses, if present and easy to do. Continue rinsing. If eye irritation persists: Get medical advice/attention.
Ingestion	Have victim rinse mouth thoroughly with water. Drink 1 or 2 glasses of water.
Most important symptoms/effects, acute and delayed	Irritation of eyes and mucous membranes.
Indication of immediate medical attention and special treatment needed	Provide general supportive measures and treat symptomatically.
General information	Ensure that medical personnel are aware of the material(s) involved, and take precautions to protect themselves.

5. Fire-fighting measures

Suitable extinguishing media	Water.
Unsuitable extinguishing media	None known.
Specific hazards arising from the chemical	May intensify fire; oxidizer.
Special protective equipment and precautions for firefighters	Firefighters must use standard protective equipment including flame retardant coat, helmet with face shield, gloves, rubber boots, and in enclosed spaces, SCBA.
Fire-fighting equipment/instructions	Move containers from fire area if you can do it without risk. Move containers from fire area if you can do so without risk. In the event of fire, cool tanks with water spray. For massive fire in cargo area, use unmanned hose holder or monitor nozzles, if possible. If not, withdraw and let fire burn out.
Specific methods	Cool containers exposed to flames with water until well after the fire is out.

6. Accidental release measures

Personal precautions, protective equipment and emergency procedures	Keep unnecessary personnel away. Local authorities should be advised if significant spillages cannot be contained. Use a NIOSH/MSHA approved respirator if there is a risk of exposure to dust/fume at levels exceeding the exposure limits. Do not touch damaged containers or spilled material unless wearing appropriate protective clothing. Keep people away from and upwind of spill/leak. Keep upwind. Keep out of low areas. Ventilate closed spaces before entering them. Avoid inhalation of dust from the spilled material. Wear appropriate personal protective equipment.
Methods and materials for containment and cleaning up	ELIMINATE all ignition sources (no smoking, flares, sparks or flames in immediate area). Keep combustibles (wood, paper, oil, etc.) away from spilled material. This product is miscible in water. After removal flush contaminated area thoroughly with water. If sweeping of a contaminated area is necessary use a dust suppressant agent which does not react with the product. Sweep up or vacuum up spillage and collect in suitable container for disposal. Collect dust using a vacuum cleaner equipped with HEPA filter. Avoid the generation of dusts during clean-up. Dilute with plenty of water. Following product recovery, flush area with water. Prevent entry into waterways, sewer, basements or confined areas. For waste disposal, see section 13 of the MSDS.
Environmental precautions	Avoid discharge into drains, water courses or onto the ground. Prevent further leakage or spillage if safe to do so.

7. Handling and storage

Precautions for safe handling	Avoid dust formation. Do not breathe dust from this material. In case of insufficient ventilation, wear suitable respiratory equipment. Take any precaution to avoid mixing with combustibles. Keep away from heat. Guard against dust accumulation of this material. Provide appropriate exhaust ventilation at places where dust is formed. Avoid contact with skin and eyes. Wash hands thoroughly after handling. Practice good housekeeping.
Conditions for safe storage, including any incompatibilities	Do not store around flammable or combustible materials. Keep away from heat. Store in a well-ventilated place. Keep container tightly closed. Avoid dust formation. Do not store near combustible materials. Guard against dust accumulation of this material. Keep out of the reach of children. Store in a cool, dry place out of direct sunlight.

8. Exposure controls/personal protection

Occupational exposure limits	No exposure limits noted for ingredient(s).
Biological limit values	No biological exposure limits noted for the ingredient(s).
Appropriate engineering controls	Ventilation should be sufficient to effectively remove and prevent buildup of any dusts or fumes that may be generated during handling or thermal processing. An eye wash and safety shower must be available in the immediate work area.
Individual protection measures, such as personal protective equipment	
Eye/face protection	Wear eye/face protection. Use tight fitting goggles if dust is generated. Eye wash fountains are required.
Skin protection	
Hand protection	Wear protective gloves.
Other	Wear suitable protective clothing. Wear protective gloves.
Respiratory protection	Respirator must be worn if exposed to dust. Wear respirator with dust filter.
Thermal hazards	Not available.
General hygiene considerations	Do not breathe dust. Avoid contact with eyes. Wash hands before breaks and immediately after handling the product. Handle in accordance with good industrial hygiene and safety practice.

9. Physical and chemical properties

Appearance	Granular. and Powder.
Physical state	Solid.
Form	Solid.
Color	White.
Odor	Odorless.
Odor threshold	Not available.
pH	Not available.
Melting point/freezing point	482 °F (250 °C)
Initial boiling point and boiling range	Not available.
Flash point	Not available.
Evaporation rate	Not available.
Flammability (solid, gas)	Not applicable.
Upper/lower flammability or explosive limits	
Flammability limit - lower (%)	Not available.
Flammability limit - upper (%)	Not available.
Explosive limit - lower (%)	Not available.
Explosive limit - upper (%)	Not available.
Vapor pressure	Not available.
Vapor density	Not available.
Relative density	Not available.
Solubility(ies)	Very soluble with evolution of heat
Partition coefficient (n-octanol/water)	Not available.
Auto-ignition temperature	Not available.
Decomposition temperature	> 482 °F (> 250 °C) When heated to decomp, emits toxic fumes of magnesium oxide and hydrogen chloride.
Viscosity	Not available.
Other information	
Density	2.20 g/cm ³ estimated
Molecular formula	Mg(ClO ₄) ₂
Molecular weight	223.23 g/mol
pH in aqueous solution	5 - 8 (5% solution)

Material name: MAGNESIUM PERCHLORATE, ANHYDROUS, REAGENT (ACS)

SDS US

55

Version #: 01

Revision date: Issue date: March-26-2013

3 / 7

Specific gravity 2.2

10. Stability and reactivity

Reactivity	Combustible material.
Chemical stability	Material is stable under normal conditions. Risk of ignition.
Possibility of hazardous reactions	Hazardous polymerization does not occur.
Conditions to avoid	Avoid spread of dust. Drying of this product on clothing or combustible materials may cause fire. Excessive heat.
Incompatible materials	Exothermic reaction on contact with water will release heat and steam. Organic materials Strong acids.
Hazardous decomposition products	Hydrogen chloride.

11. Toxicological information

Information on likely routes of exposure

Ingestion	Due to lack of data the classification is not possible.
Inhalation	Inhalation of dusts may cause respiratory irritation.
Skin contact	Due to lack of data the classification is not possible.
Eye contact	Causes serious eye irritation.

Symptoms related to the physical, chemical and toxicological characteristics Not available.

Information on toxicological effects

Acute toxicity

Product	Species	Test Results
MAGNESIUM PERCHLORATE (CAS 10034-81-8)		
Acute		
<i>Other</i>		
LD50	Mouse	1500 mg/kg

* Estimates for product may be based on additional component data not shown.

Skin corrosion/irritation	Due to lack of data the classification is not possible.
Serious eye damage/eye irritation	Causes serious eye irritation. Dust in the eyes will cause irritation.
Respiratory sensitization	Due to lack of data the classification is not possible.
Skin sensitization	Due to lack of data the classification is not possible.
Germ cell mutagenicity	Due to lack of data the classification is not possible.
Carcinogenicity	This product is not considered to be a carcinogen by IARC, ACGIH, NTP, or OSHA.
Reproductive toxicity	Due to lack of data the classification is not possible.
Specific target organ toxicity - single exposure	Respiratory tract irritation.
Specific target organ toxicity - repeated exposure	The perchlorate ion competes with iodide in the mechanism that governs uptake into the thyroid gland for growth hormone production. This effect is routinely countered by ensuring sufficient dietary intake of iodine, as perchlorate does not accumulate in the body. Studies on workers in plants where perchlorates are manufactured have shown no thyroid abnormalities; various clinical studies are ongoing. Perchlorates occur naturally in trace amounts in the environment, and are not classified as carcinogenic. Due to lack of data the classification is not possible.
Aspiration hazard	Due to lack of data the classification is not possible.
Further information	This product has no known adverse effect on human health.

12. Ecological information

Ecotoxicity	This material is not expected to be harmful to aquatic life.
Persistence and degradability	None known.
Bioaccumulative potential	Not available.
Mobility in soil	Not available.
Other adverse effects	Not available.

Material name: MAGNESIUM PERCHLORATE, ANHYDROUS, REAGENT (ACS)

55

Version #: 01

Revision date: Issue date: March-26-2013

SDS US

4 / 7

13. Disposal considerations

Disposal instructions	Collect and reclaim or dispose in sealed containers at licensed waste disposal site. This material and its container must be disposed of as hazardous waste. Do not allow this material to drain into sewers/water supplies. Do not contaminate ponds, waterways or ditches with chemical or used container. If discarded, this product is considered a RCRA ignitable waste, D001. Dispose of contents/container in accordance with local/regional/national/international regulations.
Local disposal regulations	Not available.
Hazardous waste code	D001: Waste Flammable material with a flash point <140 F
Waste from residues / unused products	Dispose of in accordance with local regulations. Empty containers or liners may retain some product residues. This material and its container must be disposed of in a safe manner (see: Disposal instructions). Not applicable.
Contaminated packaging	Empty containers should be taken to an approved waste handling site for recycling or disposal. Since emptied containers may retain product residue, follow label warnings even after container is emptied. Offer rinsed packaging material to local recycling facilities.

14. Transport information**DOT**

UN number	UN1475
UN proper shipping name	Magnesium perchlorate
Transport hazard class(es)	5.1
Subsidiary class(es)	Not available.
Packing group	II
Special precautions for user	Read safety instructions, SDS and emergency procedures before handling.
Labels required	5.1
Special provisions	IB6, IP2, T3, TP33
Packaging exceptions	152
Packaging non bulk	212
Packaging bulk	242

IATA

UN number	UN1475
UN proper shipping name	Magnesium perchlorate
Transport hazard class(es)	5.1
Subsidiary class(es)	-
Packaging group	II
Environmental hazards	No
Labels required	Not available.
ERG Code	5L
Special precautions for user	Not available.

IMDG

UN number	UN1475
UN proper shipping name	MAGNESIUM PERCHLORATE
Transport hazard class(es)	5.1
Subsidiary class(es)	-
Packaging group	II
Environmental hazards	
Marine pollutant	No
Labels required	Not available.
EmS	F-H, S-Q
Special precautions for user	Not available.

Transport in bulk according to Annex II of MARPOL 73/78 and the IBC Code No information available.

DOT



IATA; IMDG



15. Regulatory information

US federal regulations

This product is a "Hazardous Chemical" as defined by the OSHA Hazard Communication Standard, 29 CFR 1910.1200.

CERCLA/SARA Hazardous Substances - Not applicable.

All components are on the U.S. EPA TSCA Inventory List.

TSCA Section 12(b) Export Notification (40 CFR 707, Subpt. D)

Not regulated.

US. OSHA Specifically Regulated Substances (29 CFR 1910.1001-1050)

Not on regulatory list.

CERCLA Hazardous Substance List (40 CFR 302.4)

Not listed.

Superfund Amendments and Reauthorization Act of 1986 (SARA)

Hazard categories

Immediate Hazard - Yes
 Delayed Hazard - Yes
 Fire Hazard - Yes
 Pressure Hazard - No
 Reactivity Hazard - No

SARA 302 Extremely hazardous substance

No

SARA 311/312

No

Hazardous chemical

Other federal regulations

Clean Air Act (CAA) Section 112 Hazardous Air Pollutants (HAPs) List

Not regulated.

Clean Air Act (CAA) Section 112(r) Accidental Release Prevention (40 CFR 68.130)

Not regulated.

Safe Drinking Water Act (SDWA)

Not regulated.

Drug Enforcement Administration (DEA). List 2, Essential Chemicals (21 CFR 1310.02(b) and 1310.04(f)(2) and Chemical Code Number

Not listed.

Drug Enforcement Administration (DEA). List 1 & 2 Exempt Chemical Mixtures (21 CFR 1310.12(c))

Not regulated.

DEA Exempt Chemical Mixtures Code Number

Not regulated.

Food and Drug Administration (FDA)

Not regulated.

US state regulations

California Safe Drinking Water and Toxic Enforcement Act of 1986 (Proposition 65): This material is not known to contain any chemicals currently listed as carcinogens or reproductive toxins.

Material name: MAGNESIUM PERCHLORATE, ANHYDROUS, REAGENT (ACS)

55

Version #: 01

Revision date: Issue date: March-26-2013

SDS US

6 / 7

US. Massachusetts RTK - Substance List

MAGNESIUM PERCHLORATE (CAS 10034-81-8)

US. New Jersey Worker and Community Right-to-Know Act

Not regulated.

US. Pennsylvania RTK - Hazardous Substances

MAGNESIUM PERCHLORATE (CAS 10034-81-8)

US. Rhode Island RTK

MAGNESIUM PERCHLORATE (CAS 10034-81-8)

US. California Proposition 65**US - California Proposition 65 - Carcinogens & Reproductive Toxicity (CRT): Listed substance**

Not listed.

International Inventories

Country(s) or region	Inventory name	On inventory (yes/no)*
Australia	Australian Inventory of Chemical Substances (AICS)	Yes
Canada	Domestic Substances List (DSL)	Yes
Canada	Non-Domestic Substances List (NDSL)	No
China	Inventory of Existing Chemical Substances in China (IECSC)	Yes
Europe	European Inventory of Existing Commercial Chemical Substances (EINECS)	Yes
Europe	European List of Notified Chemical Substances (ELINCS)	No
Japan	Inventory of Existing and New Chemical Substances (ENCS)	Yes
Korea	Existing Chemicals List (ECL)	Yes
New Zealand	New Zealand Inventory	Yes
Philippines	Philippine Inventory of Chemicals and Chemical Substances (PICCS)	Yes
United States & Puerto Rico	Toxic Substances Control Act (TSCA) Inventory	Yes

*A "Yes" indicates this product complies with the inventory requirements administered by the governing country(s)

16. Other information, including date of preparation or last revision**Issue date** March-26-2013**Version #** 01**Further information** Not available.

Disclaimer The information in the sheet was written based on the best knowledge and experience currently available. The information given is designed only as a guidance for safe handling, use, processing, storage, transportation, disposal and release and is not to be considered a warranty or quality specification. The information relates only to the specific material designated and may not be valid for such material used in combination with any other materials or in any process, unless specified in the text.

Revision Information Product and Company Identification: Alternate Trade Names
 Hazards Identification: US Hazardous
 Composition / Information on Ingredients: Ingredients
 Physical & Chemical Properties: Multiple Properties
 Transport Information: Proper Shipping Name/Packing Group
 Regulatory Information: United States
 HazReg Data: International Inventories

F.2 Decarbite

P. W. PERKINS CO., INC.

221 Commissioners Pike – Woodstown, NJ 08098-2032 USA
1-(856) 769-3525 Fax 1-(856) 769-2177

www.decarbite.com
www.pwperkins.com
pwpc@mindspring.com

SAFETY DATA SHEET

IDENTITY	DECARBITE®
-----------------	-------------------

SECTION I - Identification

PRODUCT CODE: DECS120, DECS121, DECS135, DECB122, DECB123, DECB135

MANUFACTURER'S NAME:

P. W. PERKINS CO., INC.
221 COMMISSIONERS PIKE
WOODSTOWN NJ 08098-2032 USA
856-769-3525

EMERGENCY TELEPHONE NUMBER: 1-800-424-9300 (CHEMTREC)
(INTERNATIONAL: CALL CHEMTREC COLLECT 1-703-527-3887)

DATE PREPARED: JANUARY 5, 2015

SECTION II – Hazards Identification

Route(s) of Entry: Inhalation? 4-Extreme
Skin? 4-Extreme
Ingestion? 3-Severe

Health Hazards (Acute and Chronic): Corrosive to all body tissue which it comes in contact. The chronic local effect may consist of multiple areas of superficial destruction of the skin. Inhalation of dust may cause varying degrees of irritation.

Carcinogenicity: NTP? NA; IARC Monographs? NA;
OSHA Regulated? NA Not listed as a carcinogen.

Signs and Symptoms of Exposure: Itching, burning of skin or eyes. Temporary discomfort of breathing passages.

Medical Conditions Generally Aggravated by Exposure: Increased susceptibility to respiratory illness.

Emergency and First Aid Procedures: Flush with water. Seek medical attention. Eyes – flush with large amounts of clean water, followed by boric acid eye wash solution.

SECTION III – Composition/Information on Ingredients

Proprietary formulation indicating CO₂ Adsorbent
Sodium Hydroxide: CAS #1310-73-2; 90 – 95%
Non Fibrous Silicate: CAS #1318-00-9; 5 – 10%

SECTION IV – FIRST AID MEASURES

Inhalation: Supply fresh air. If not breathing, give artificial respiration.

Ingestion: If swallowed, call for doctor immediately. Drink plenty of water and provide fresh air.

Skin contact: Immediately flush skin with plenty of water and soap. Immediately remove any clothing soiled by the product. Wash clothing before reuse.

Eye Contact: Immediately flush eyes with plenty of water for at least 15 minutes. Get medical attention immediately.

SECTION V – Fire and Explosion Hazard Data

Flash Point (Method Used): No flash to 550° F ASTM D-56

Flammable Limits: Non flammable

LEL: NA

UEL: NA

Extinguishing Media: Product not combustible. Foam/CO₂ or dry chemical can be used. Direct contact with water can cause a violent exothermic reaction.

Special Fire Fighting Procedures: Protective clothing/self contained breathing apparatus should be worn by fire fighters in area where product is stored.

Unusual Fire and Explosion Hazards: Material is stable (non explosive), nonflammable. Will react with varying degrees of intensity on exposure to water and strong acids.

SECTION VI – Accidental Release Measures

Person-related safety precautions: Wear protective equipment. Keep unprotected persons away.

Measures for environmental protections: Do not allow product to reach sewage systems or any water course. Inform authorities in case of seepage into water course or sewage system.

Measures for cleaning/collecting: Use neutralizing agent. Ensure adequate ventilation. Do not flush with water or aqueous cleansing agents.

SECTION VII – Precautions for Safe Handling and Use

Steps to Be Taken in Case Material is Released or Spilled: Wash area with 1 molar Hydrochloric Acid or use caustic spill kit. Wash with clean water.

Waste Disposal Method: Appropriate disposal should conform with local and state health regulations.

Precautions to Be Taken in Handling and Storing: Wear protective clothing, use adequate ventilation where dust may be generated.

Other Precautions: Respirator, eye protection, gloves, lab coat or other clothing to cover exposed skin area.

SECTION XII – Ecological Information

Do not empty into drains. Do not allow undiluted product or large quantities to reach ground water, water course, or sewage system.

SECTION XIII – Disposal Considerations

Review federal, state, and local government requirements prior to disposal. Whatever cannot be saved for recovery or recycling should be managed in an appropriate waste facility. Dispose of container and unused contents in accordance with federal, state, and local requirements.

SECTION XIV – Transport Information**Domestic (Land, DOT)**

DOT Shipping name: Sodium Hydroxide, Solid

DOT ID: UN1823

DOT Hazard Class: 8, corrosive, Packaging Group II

IATA

IATA Shipping name: Sodium Hydroxide, Solid

IATA ID: UN1823

IATA Hazard Class: 8, corrosive, Packaging Group II

IATA Instructions – Passenger/cargo - 859, LTD QTY - 844, Cargo only - 863

SECTION XV– Regulatory Information

HMIS HAZARD RATINGS: Health Hazard 3; Fire Hazard, 0; Reactivity 2

WHMIS Classification: Class E, Corrosive Material

TSCA: On Toxic Substance Control Inventory

Hazardous Substance: RQ 1000 lbs

SARA TITLE III, 311/312: Acute, Reactive

RCRA: Not Regulated

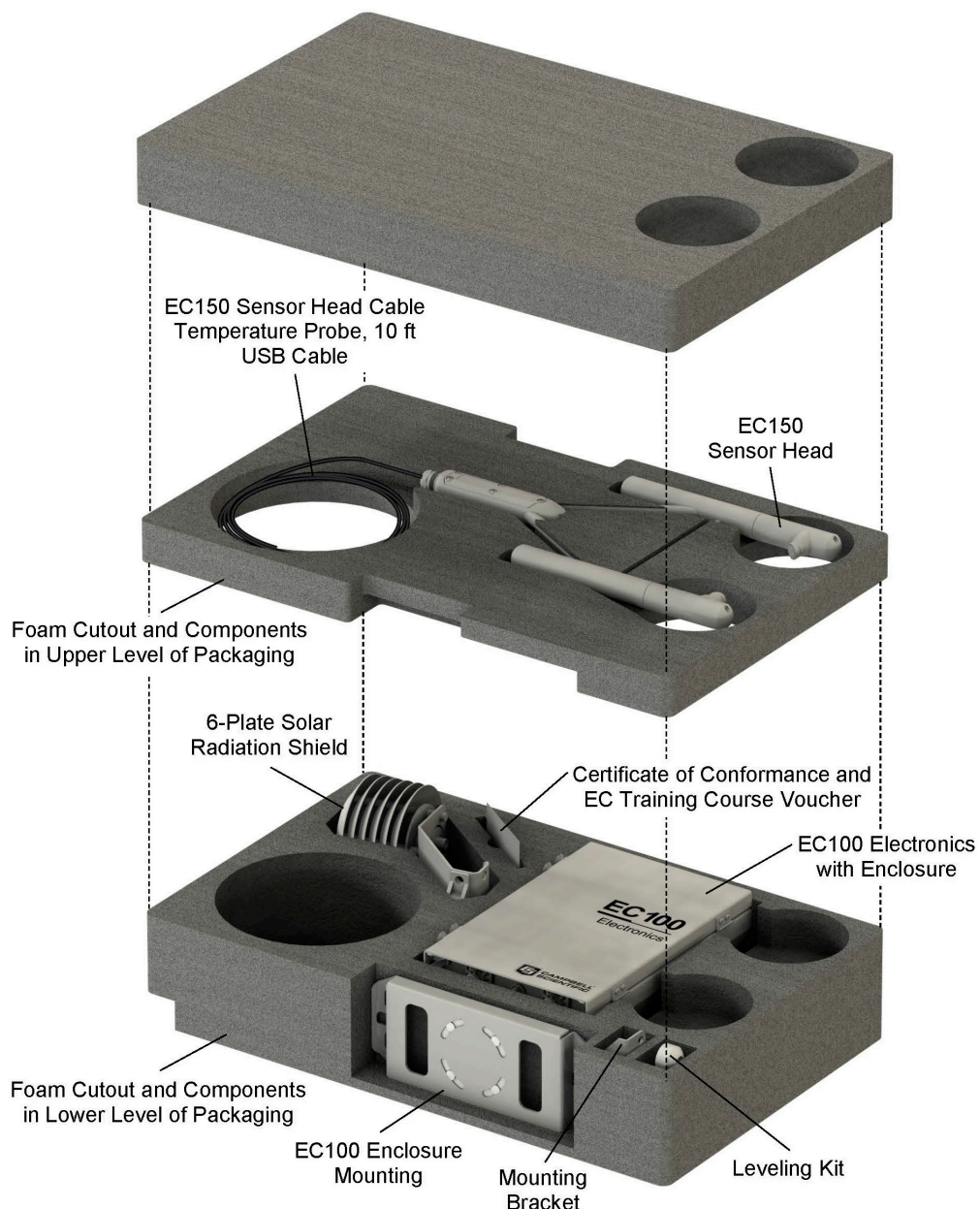
SECTION XVI – Date of Preparation

DATE PREPARED: JANUARY 5, 2015

Appendix G. Packing Information

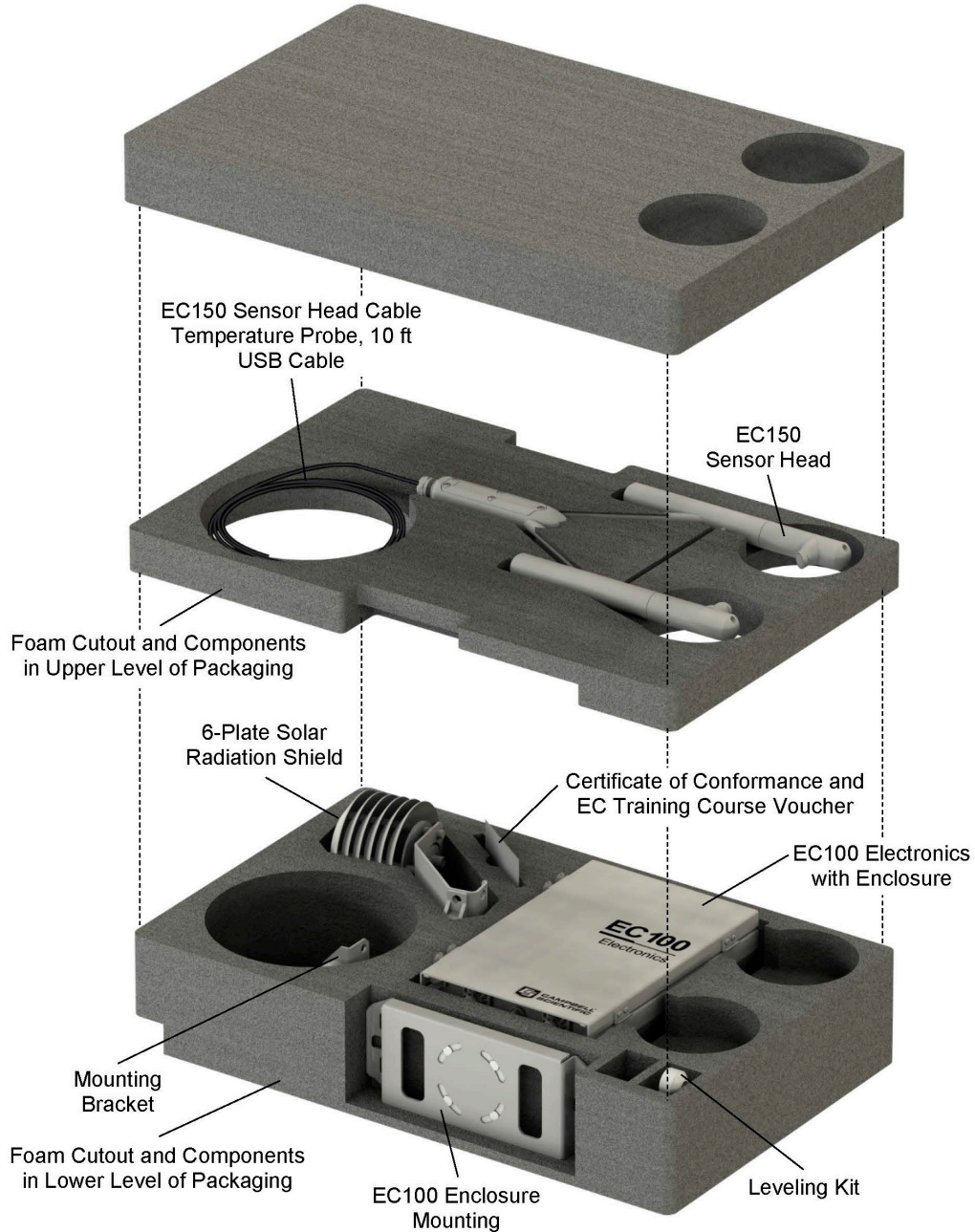
G.1 EC150-GH Packing Information

The EC150 components are placed in a foam cutout that helps protect them from damage during shipment. The EC150 should look like the following image. After unpacking, it is recommended to save the foam cutout as the EC150 components should be placed in the foam cutout whenever the EC150 is transported to another location.



G.2 EC150-SH Packing Information

The EC150 components are placed in a foam cutout that helps protect them from damage during shipment. The EC150 should look like the following image. After unpacking, it is recommended to save the foam cutout as the EC150 components should be placed in the foam cutout whenever the EC150 is transported to another location.



Campbell Scientific, Inc. | 815 W 1800 N | Logan, UT 84321-1784 | (435) 227-9000 | www.campbellsci.com
 AUSTRALIA | BRAZIL | CANADA | CHINA | COSTA RICA | FRANCE | GERMANY | THAILAND | SOUTH AFRICA | SPAIN | UK | USA
 © 2011–2018 Campbell Scientific, Inc. | Revision: 7/20/2018

Limited Warranty

Products manufactured by Campbell Scientific are warranted by Campbell Scientific to be free from defects in materials and workmanship under normal use and service for twelve months from the date of shipment unless otherwise specified on the corresponding product webpage. See Product Details on the Ordering Information pages at www.campbellsci.com. Other manufacturer's products, that are resold by Campbell Scientific, are warranted only to the limits extended by the original manufacturer.

Refer to www.campbellsci.com/terms#warranty for more information.

CAMPBELL SCIENTIFIC EXPRESSLY DISCLAIMS AND EXCLUDES ANY IMPLIED WARRANTIES OF MERCHANTABILITY OR FITNESS FOR A PARTICULAR PURPOSE. Campbell Scientific hereby disclaims, to the fullest extent allowed by applicable law, any and all warranties and conditions with respect to the Products, whether express, implied or statutory, other than those expressly provided herein.

Assistance

Products may not be returned without prior authorization.

Products shipped to Campbell Scientific require a Returned Materials Authorization (RMA) or Repair Reference number and must be clean and uncontaminated by harmful substances, such as hazardous materials, chemicals, insects, and pests. Please complete the required forms prior to shipping equipment.

Campbell Scientific regional offices handle repairs for customers within their territories. Please see the back page for the Global Sales and Support Network or visit www.campbellsci.com/contact to determine which Campbell Scientific office serves your country.

To obtain a Returned Materials Authorization or Repair Reference number, contact your CAMPBELL SCIENTIFIC regional office. Please write the issued number clearly on the outside of the shipping container and ship as directed.

For all returns, the customer must provide a “Statement of Product Cleanliness and Decontamination” or “Declaration of Hazardous Material and Decontamination” form and comply with the requirements specified in it. The form is available from your CAMPBELL SCIENTIFIC regional office. Campbell Scientific is unable to process any returns until we receive this statement. If the statement is not received within three days of product receipt or is incomplete, the product will be returned to the customer at the customer’s expense. Campbell Scientific reserves the right to refuse service on products that were exposed to contaminants that may cause health or safety concerns for our employees.

Safety

DANGER — MANY HAZARDS ARE ASSOCIATED WITH INSTALLING, USING, MAINTAINING, AND WORKING ON OR AROUND TRIPODS, TOWERS, AND ANY ATTACHMENTS TO TRIPODS AND TOWERS SUCH AS SENSORS, CROSSARMS, ENCLOSURES, ANTENNAS, ETC. FAILURE TO PROPERLY AND COMPLETELY ASSEMBLE, INSTALL, OPERATE, USE, AND MAINTAIN TRIPODS, TOWERS, AND ATTACHMENTS, AND FAILURE TO HEED WARNINGS, INCREASES THE RISK OF DEATH, ACCIDENT, SERIOUS INJURY, PROPERTY DAMAGE, AND PRODUCT FAILURE. TAKE ALL REASONABLE PRECAUTIONS TO AVOID THESE HAZARDS. CHECK WITH YOUR ORGANIZATION'S SAFETY COORDINATOR (OR POLICY) FOR PROCEDURES AND REQUIRED PROTECTIVE EQUIPMENT PRIOR TO PERFORMING ANY WORK.

Use tripods, towers, and attachments to tripods and towers only for purposes for which they are designed. Do not exceed design limits. Be familiar and comply with all instructions provided in product manuals. Manuals are available at www.campbellsci.com. You are responsible for conformance with governing codes and regulations, including safety regulations, and the integrity and location of structures or land to which towers, tripods, and any attachments are attached. Installation sites should be evaluated and approved by a qualified engineer. If questions or concerns arise regarding installation, use, or maintenance of tripods, towers, attachments, or electrical connections, consult with a licensed and qualified engineer or electrician.

General

- Protect from over-voltage.
- Protect electrical equipment from water.
- Protect from electrostatic discharge (ESD).
- Protect from lightning.
- Prior to performing site or installation work, obtain required approvals and permits. Comply with all governing structure-height regulations.
- Use only qualified personnel for installation, use, and maintenance of tripods and towers, and any attachments to tripods and towers. The use of licensed and qualified contractors is highly recommended.
- Read all applicable instructions carefully and understand procedures thoroughly before beginning work.
- Wear a **hardhat** and **eye protection**, and take **other appropriate safety precautions** while working on or around tripods and towers.
- **Do not climb** tripods or towers at any time, and prohibit climbing by other persons. Take reasonable precautions to secure tripod and tower sites from trespassers.
- Use only manufacturer recommended parts, materials, and tools.

Utility and Electrical

- **You can be killed** or sustain serious bodily injury if the tripod, tower, or attachments you are installing, constructing, using, or maintaining, or a tool, stake, or anchor, come in **contact with overhead or underground utility lines**.
- Maintain a distance of at least one-and-one-half times structure height, 6 meters (20 feet), or the distance required by applicable law, **whichever is greater**, between overhead utility lines and the structure (tripod, tower, attachments, or tools).
- Prior to performing site or installation work, inform all utility companies and have all underground utilities marked.
- Comply with all electrical codes. Electrical equipment and related grounding devices should be installed by a licensed and qualified electrician.
- Only use power sources approved for use in the country of installation to power Campbell Scientific devices.

Elevated Work and Weather

- Exercise extreme caution when performing elevated work.
- Use appropriate equipment and safety practices.
- During installation and maintenance, keep tower and tripod sites clear of un-trained or non-essential personnel. Take precautions to prevent elevated tools and objects from dropping.
- Do not perform any work in inclement weather, including wind, rain, snow, lightning, etc.

Maintenance

- Periodically (at least yearly) check for wear and damage, including corrosion, stress cracks, frayed cables, loose cable clamps, cable tightness, etc. and take necessary corrective actions.
- Periodically (at least yearly) check electrical ground connections.

Internal Battery

- Be aware of fire, explosion, and severe-burn hazards.
- Misuse or improper installation of the internal lithium battery can cause severe injury.
- Do not recharge, disassemble, heat above 100 °C (212 °F), solder directly to the cell, incinerate, or expose contents to water. Dispose of spent batteries properly.

WHILE EVERY ATTEMPT IS MADE TO EMBODY THE HIGHEST DEGREE OF SAFETY IN ALL CAMPBELL SCIENTIFIC PRODUCTS, THE CUSTOMER ASSUMES ALL RISK FROM ANY INJURY RESULTING FROM IMPROPER INSTALLATION, USE, OR MAINTENANCE OF TRIPODS, TOWERS, OR ATTACHMENTS TO TRIPODS AND TOWERS SUCH AS SENSORS, CROSSARMS, ENCLOSURES, ANTENNAS, ETC.



Global Sales & Support Network

A worldwide network to help meet your needs



Campbell Scientific Regional Offices

Australia

Location: Garbutt, QLD Australia
Phone: 61.7.4401.7700
Email: info@campbellsci.com.au
Website: www.campbellsci.com.au

Brazil

Location: São Paulo, SP Brazil
Phone: 11.3732.3399
Email: vendas@campbellsci.com.br
Website: www.campbellsci.com.br

Canada

Location: Edmonton, AB Canada
Phone: 780.454.2505
Email: dataloggers@campbellsci.ca
Website: www.campbellsci.ca

China

Location: Beijing, P. R. China
Phone: 86.10.6561.0080
Email: info@campbellsci.com.cn
Website: www.campbellsci.com.cn

Costa Rica

Location: San Pedro, Costa Rica
Phone: 506.2280.1564
Email: info@campbellsci.com
Website: www.campbellsci.com

France

Location: Vincennes, France
Phone: 0033.0.1.56.45.15.20
Email: info@campbellsci.fr
Website: www.campbellsci.fr

Germany

Location: Bremen, Germany
Phone: 49.0.421.460974.0
Email: info@campbellsci.de
Website: www.campbellsci.de

India

Location: New Delhi, DL India
Phone: 91.11.46500481.482
Email: info@campbellsci.in
Website: www.campbellsci.in

South Africa

Location: Stellenbosch, South Africa
Phone: 27.21.8809960
Email: sales@campbellsci.co.za
Website: www.campbellsci.co.za

Spain

Location: Barcelona, Spain
Phone: 34.93.2323938
Email: info@campbellsci.es
Website: www.campbellsci.es

Thailand

Location: Bangkok, Thailand
Phone: 66.2.719.3399
Email: info@campbellsci.asia
Website: www.campbellsci.asia

UK

Location: Shepshed, Loughborough, UK
Phone: 44.0.1509.601141
Email: sales@campbellsci.co.uk
Website: www.campbellsci.co.uk

USA

Location: Logan, UT USA
Phone: 435.227.9120
Email: info@campbellsci.com
Website: www.campbellsci.com