

INSTRUCTION MANUAL



CM10K Tripod Kit

Revision: 3/98

Copyright (c) 1986-1998
Campbell Scientific, Inc.

CM10K TRIPOD KIT MANUAL

The CM10K Tripod Kit can be used to assemble a 6 foot or 10 foot tripod equivalent to Campbell Scientific's preassembled CM6 and CM10 Tripods. The kit significantly reduces shipping weight and costs by providing only tripod parts that cannot be easily obtained from machine shops and retail hardware suppliers. The user is required to provide several lengths of threaded galvanized pipe to complete the assembly.

1. TRIPOD KIT ASSEMBLY

Figure 1-1 shows a fully assembled CM10 Tripod with the CM10 Guy Kit. The CM6 is shorter but similar in appearance and has no guy kit option. Figure 1-2 shows a view of a tripod indicating parts supplied by Campbell

Scientific (solid) and parts the user must supply (dashed). Numbered arrows correspond to item numbers in Tables 1-1, 1-2, and 1-3. Items in Table 1-1 are supplied in the CM10K Tripod Kit. Items in Tables 1-2 and 1-3 must be supplied by the user.

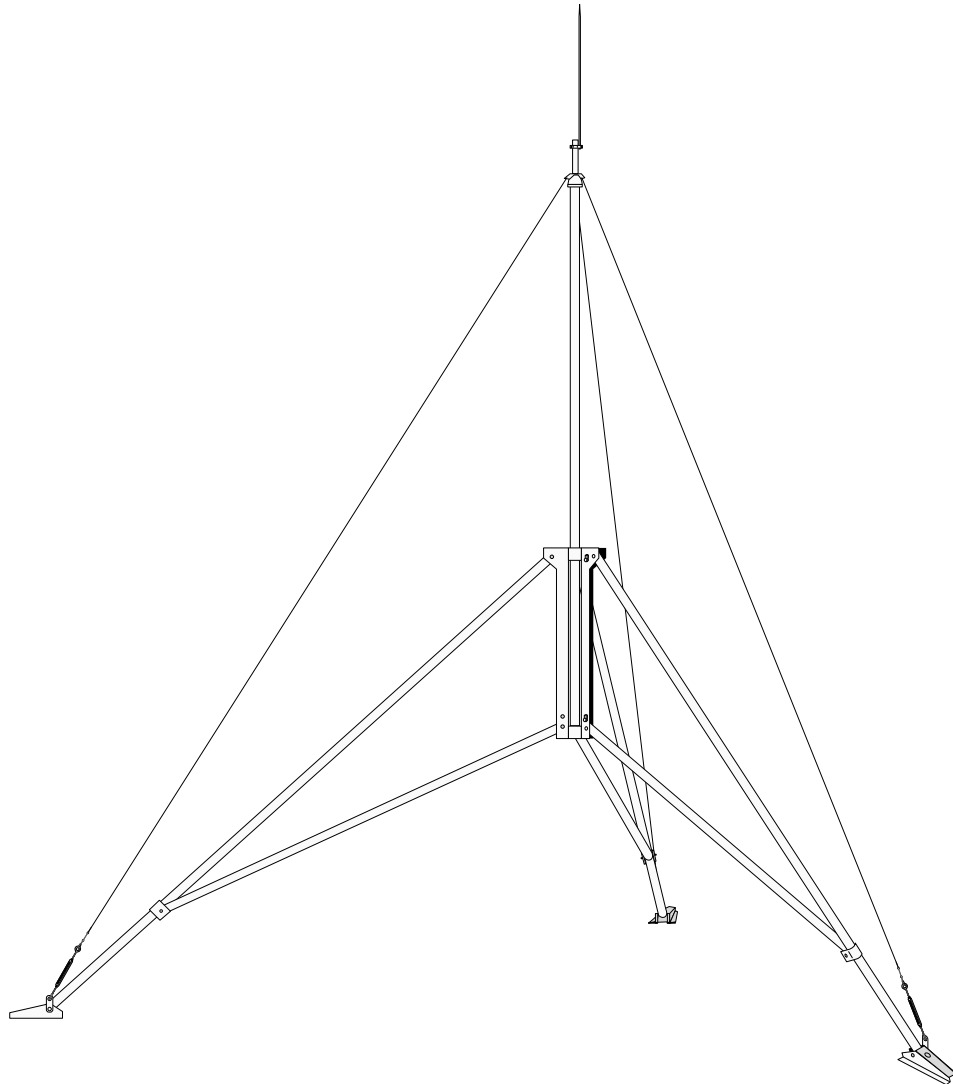


FIGURE 1-1. CM10 Tripod

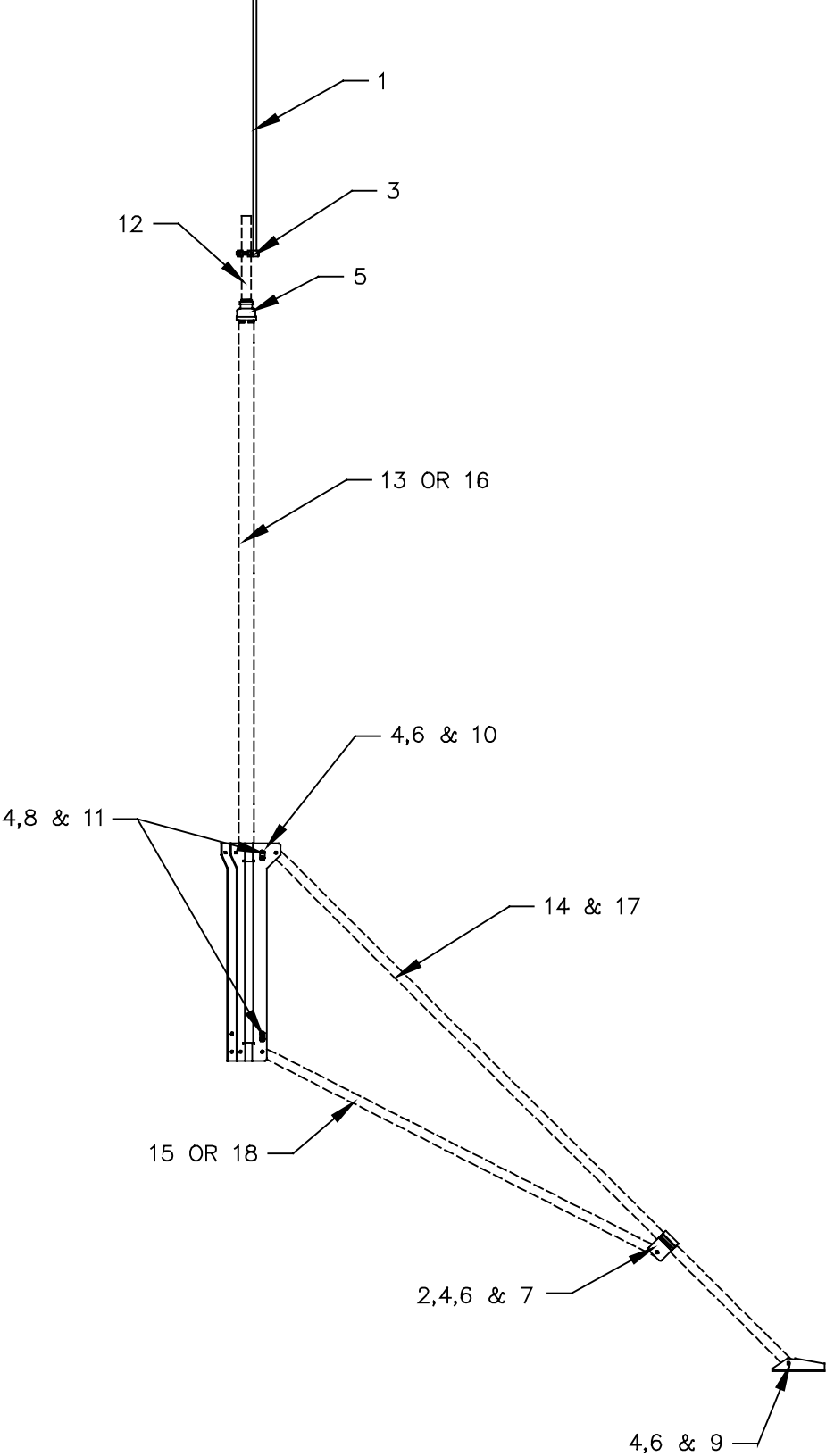


FIGURE 1-2. Tripod Items

1.1 CM10K KIT ITEMS

Table 1-1 lists items that are shipped with the CM10K Tripod.

<u>Item #</u>	<u>CSI Part #</u>	<u>Description</u>	<u>Quantity</u>
1	850	Lightning Rod	1
2	1201	Slide Collar	3
3	1013	Lightning Rod Clamp	1
4	795	1/4-20 Nut	14
5	1183	Bell Reducer	1
6	794	1/4-20 x 1 3/4 Screw	12
7	75	5/16-18 x 3/4 Screw	3
8	5226	1/4-20 x 1/2 Screw	2
9	10838	Foot	3
10	10850	Center Bracket	1
11	4429	Grounding Lug	2

1.2 USER SUPPLIED ITEMS

If a six foot tripod (CM6) is to be assembled, obtain sections of pipe as listed in Table 1-2. The pipe must be cut and prepared according to drawings and specifications in Figures 1-3, 1-4, 1-5, and 1-6.

TABLE 1-2. Six Foot Tripod (CM6) Pipe Requirements

<u>Item #</u>	<u>Description</u>	<u>Quantity</u>	<u>Figure</u>
12	CM6/CM10 Crossarm Mount	1	1-3
13	CM6 Upper Body 1 1/4	1	1-4
14	CM6 Upper Leg Ext. 3/4 Pipe	3	1-5
15	CM6 Lower Leg Ext. 3/4 Pipe	3	1-6

If a ten foot tripod (CM10) is to be assembled, obtain sections of pipe as listed in Table 1-3. The pipe must be cut and prepared according to drawings and specifications in Figures 1-3, 1-7, 1-8, and 1-9.

TABLE 1-3. Ten Foot Tripod (CM10) Pipe Requirements

<u>Item #</u>	<u>Description</u>	<u>Quantity</u>	<u>Figure</u>
12	CM6/CM10 Crossarm Mount	1	1-3
16	CM10 Upper Body 1 1/4	1	1-7
17	CM6 Upper Leg Ext. 3/4 Pipe	3	1-8
18	CM6 Lower Leg Ext. 3/4 Pipe	3	1-9

CM10K TRIPOD KIT MANUAL

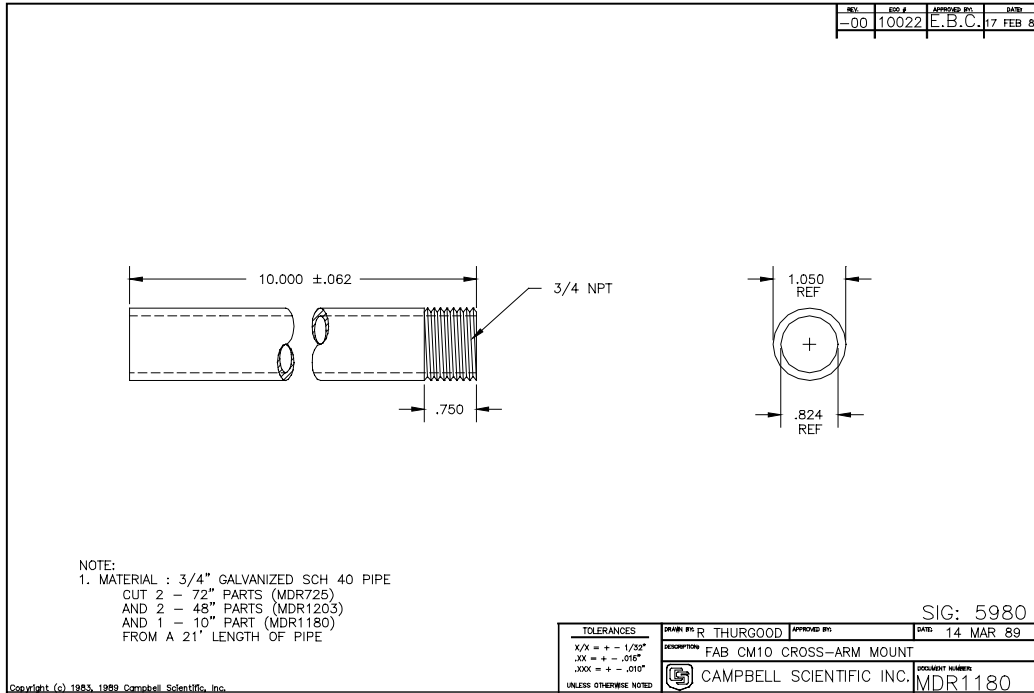


FIGURE 1-3. CM6 / CM10 Tripod Crossarm Mechanical Drawing

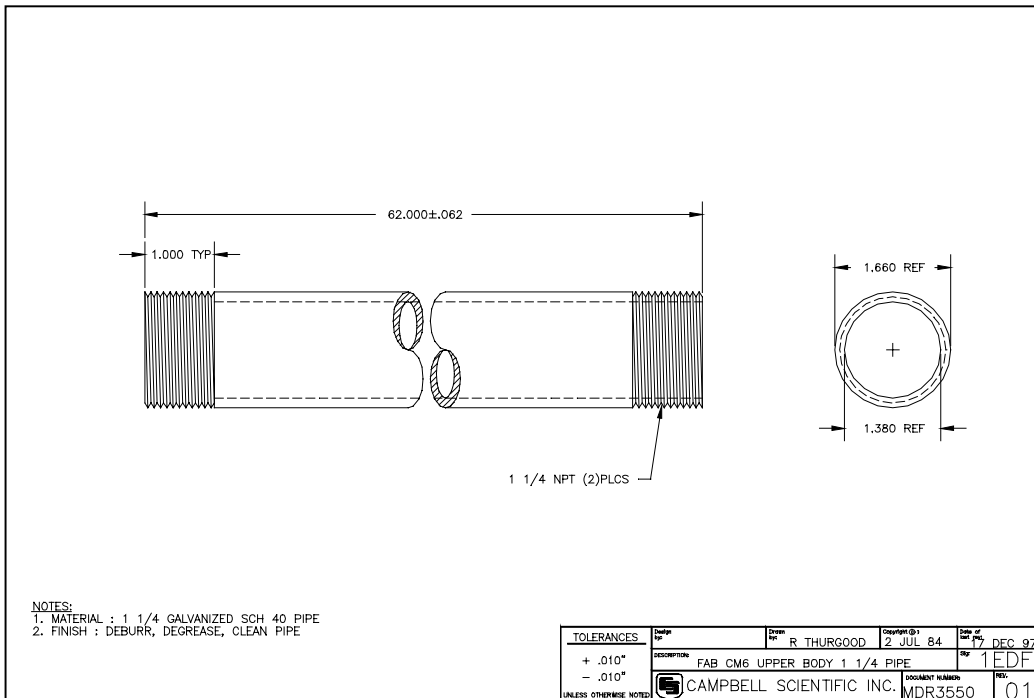


FIGURE 1-4. CM6 Upper Body Mechanical Drawing

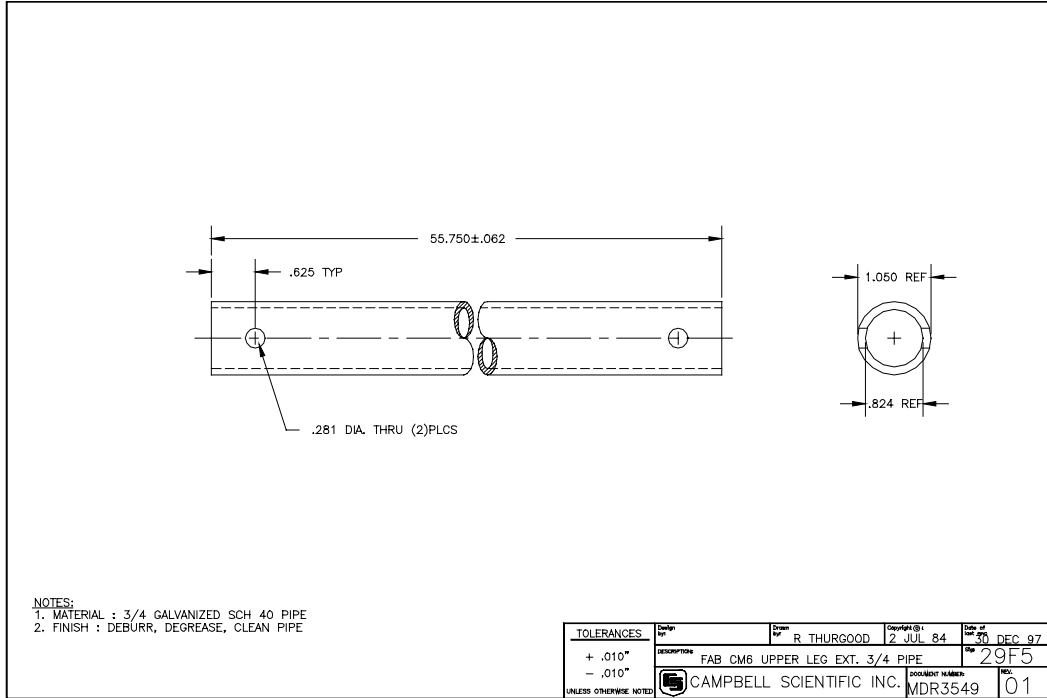


FIGURE 1-5. CM6 Upper Leg Mechanical Drawing

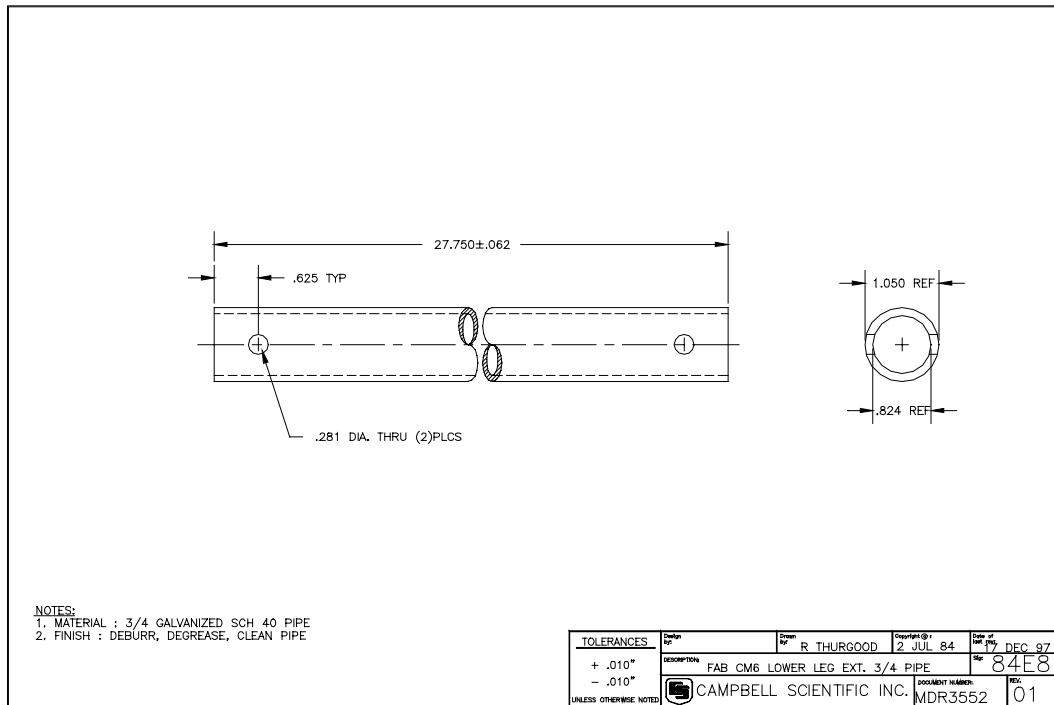


FIGURE 1-6. CM6 Lower Leg Mechanical Drawing

CM10K TRIPOD KIT MANUAL

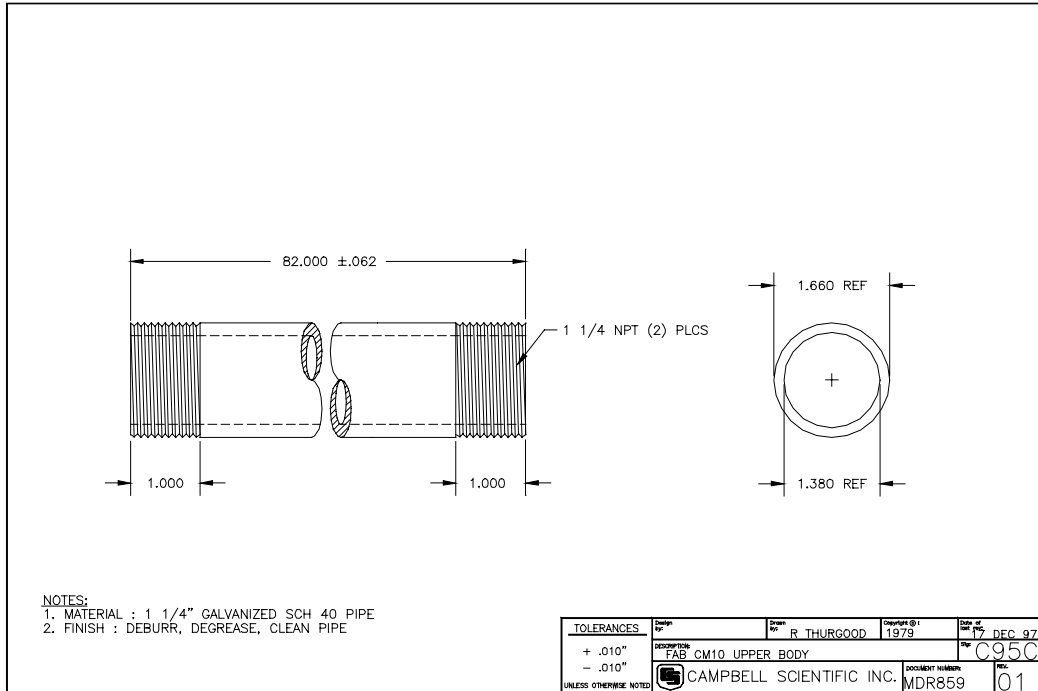


FIGURE 1-7. CM10 Upper Body Mechanical Drawing

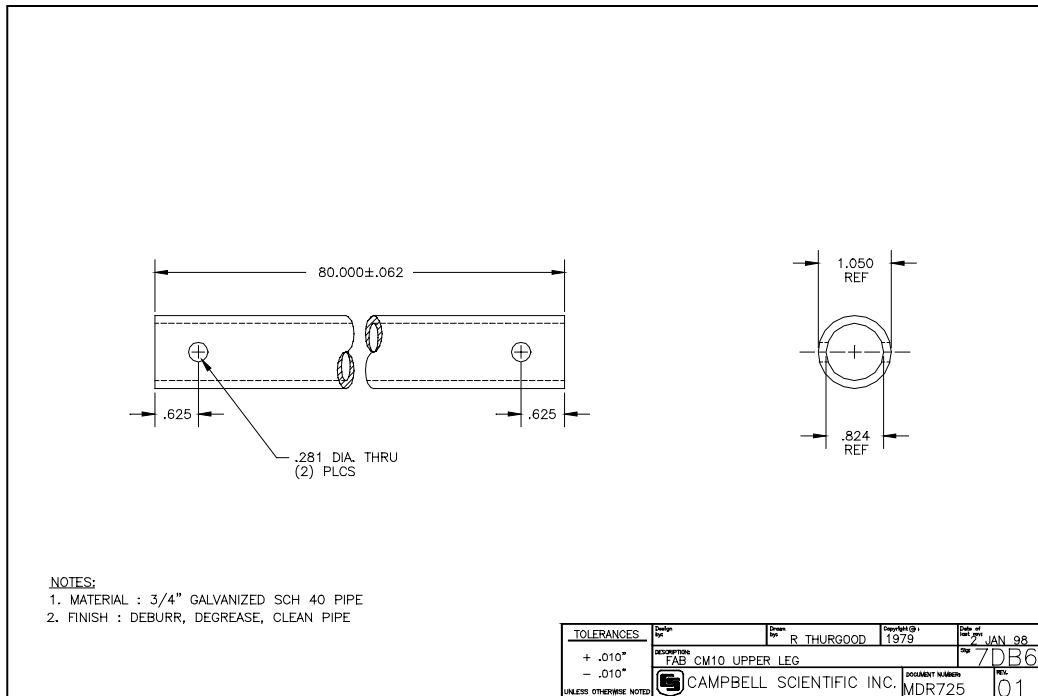


FIGURE 1-8. CM10 Upper Leg Mechanical Drawing

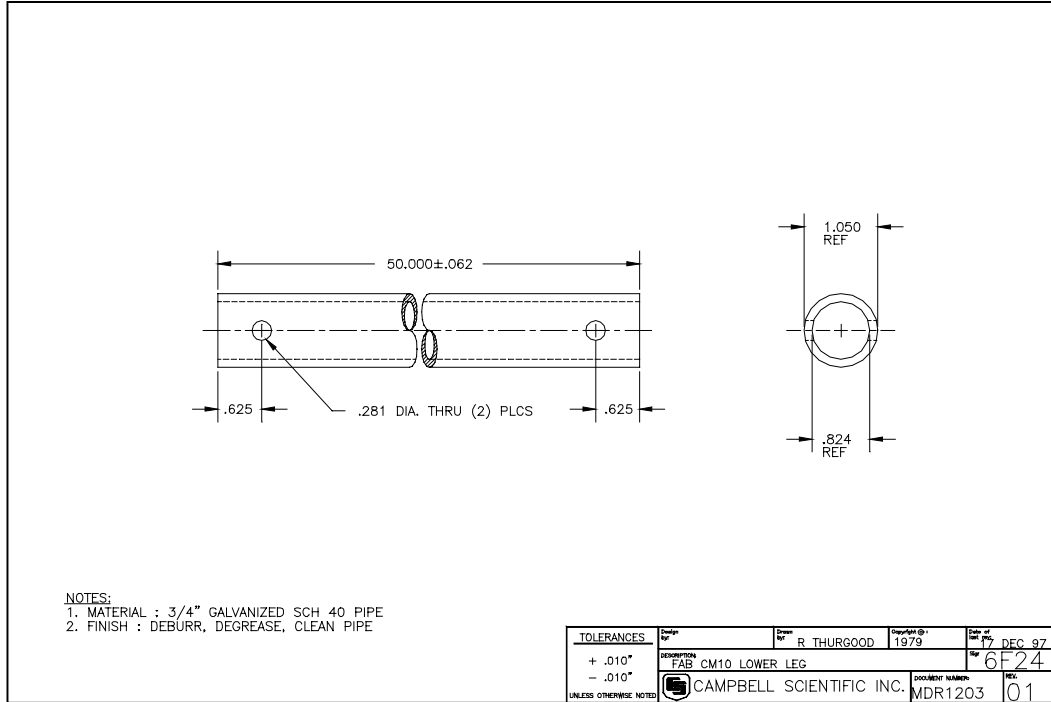


FIGURE 1-9. CM10 Lower Leg Mechanical Drawing

Campbell Scientific Companies

Campbell Scientific, Inc. (CSI)

815 West 1800 North
Logan, Utah 84321
UNITED STATES
www.campbellsci.com
info@campbellsci.com

Campbell Scientific Africa Pty. Ltd. (CSAf)

PO Box 2450
Somerset West 7129
SOUTH AFRICA
www.csafrica.co.za
sales@csafrica.co.za

Campbell Scientific Australia Pty. Ltd. (CSA)

PO Box 444
Thuringowa Central
QLD 4812 AUSTRALIA
www.campbellsci.com.au
info@campbellsci.com.au

Campbell Scientific do Brazil Ltda. (CSB)

Rua Luisa Crapsi Orsi, 15 Butantã
CEP: 005543-000 São Paulo SP BRAZIL
www.campbellsci.com.br
suporte@campbellsci.com.br

Campbell Scientific Canada Corp. (CSC)

11564 - 149th Street NW
Edmonton, Alberta T5M 1W7
CANADA
www.campbellsci.ca
dataloggers@campbellsci.ca

Campbell Scientific Ltd. (CSL)

Campbell Park
80 Hathern Road
Shepshed, Loughborough LE12 9GX
UNITED KINGDOM
www.campbellsci.co.uk
sales@campbellsci.co.uk

Campbell Scientific Ltd. (France)

Miniparc du Verger - Bat. H
1, rue de Terre Neuve - Les Ulis
91967 COURTABOEUF CEDEX
FRANCE
www.campbellsci.fr
campbell.scientific@wanadoo.fr

Campbell Scientific Spain, S. L.

Psg. Font 14, local 8
08013 Barcelona
SPAIN
www.campbellsci.es
info@campbellsci.es