

INSTRUCTION MANUAL



CM106 Tripod

Revision: 7/13



Copyright © 2005-2013
Campbell Scientific, Inc.

Warranty

“PRODUCTS MANUFACTURED BY CAMPBELL SCIENTIFIC, INC. are warranted by Campbell Scientific, Inc. (“Campbell”) to be free from defects in materials and workmanship under normal use and service for twelve (12) months from date of shipment unless otherwise specified in the corresponding Campbell pricelist or product manual. Products not manufactured, but that are re-sold by Campbell, are warranted only to the limits extended by the original manufacturer. Batteries, fine-wire thermocouples, desiccant, and other consumables have no warranty. Campbell’s obligation under this warranty is limited to repairing or replacing (at Campbell’s option) defective products, which shall be the sole and exclusive remedy under this warranty. The customer shall assume all costs of removing, reinstalling, and shipping defective products to Campbell. Campbell will return such products by surface carrier prepaid within the continental United States of America. To all other locations, Campbell will return such products best way CIP (Port of Entry) INCOTERM® 2010, prepaid. This warranty shall not apply to any products which have been subjected to modification, misuse, neglect, improper service, accidents of nature, or shipping damage. This warranty is in lieu of all other warranties, expressed or implied. The warranty for installation services performed by Campbell such as programming to customer specifications, electrical connections to products manufactured by Campbell, and product specific training, is part of Campbell’s product warranty. **CAMPBELL EXPRESSLY DISCLAIMS AND EXCLUDES ANY IMPLIED WARRANTIES OF MERCHANTABILITY OR FITNESS FOR A PARTICULAR PURPOSE.** Campbell is not liable for any special, indirect, incidental, and/or consequential damages.”

Assistance

Products may not be returned without prior authorization. The following contact information is for US and international customers residing in countries served by Campbell Scientific, Inc. directly. Affiliate companies handle repairs for customers within their territories. Please visit www.campbellsci.com to determine which Campbell Scientific company serves your country.

To obtain a Returned Materials Authorization (RMA), contact CAMPBELL SCIENTIFIC, INC., phone (435) 227-9000. After an applications engineer determines the nature of the problem, an RMA number will be issued. Please write this number clearly on the outside of the shipping container. Campbell Scientific's shipping address is:

CAMPBELL SCIENTIFIC, INC.

RMA# _____
815 West 1800 North
Logan, Utah 84321-1784

For all returns, the customer must fill out a "Statement of Product Cleanliness and Decontamination" form and comply with the requirements specified in it. The form is available from our web site at www.campbellsci.com/repair. A completed form must be either emailed to repair@campbellsci.com or faxed to (435) 227-9106. Campbell Scientific is unable to process any returns until we receive this form. If the form is not received within three days of product receipt or is incomplete, the product will be returned to the customer at the customer's expense. Campbell Scientific reserves the right to refuse service on products that were exposed to contaminants that may cause health or safety concerns for our employees.

Table of Contents

PDF viewers: These page numbers refer to the printed version of this document. Use the PDF reader bookmarks tab for links to specific sections.

1. General	1
2. Specifications	2
3. Tools List (for tripod, mast, enclosures, and crossarms)	2
4. Tripod Components.....	3
5. Tripod Installation.....	4
5.1 Tripod Base	4
5.1.1 Mounting on a Relatively Flat Area.....	4
5.1.2 Mounting on an Incline	5
5.2 Mast.....	6
5.3 Installing the Optional Guy Kit.....	8
5.4 Staking the Tripod Feet.....	10
5.5 Tripod Grounding.....	11
5.6 Crossarm Attachment.....	13
5.7 Enclosure Attachment	13
5.7.1 Enclosure Mounting to Tripod Mast	13
5.7.2 Enclosure Mounting to Tripod Leg.....	14
6. Mounting Brackets.....	16
6.1 CM210 Crossarm Mounting Kit	16
6.2 CM216 Mast Mounting Kit.....	17
6.3 CM220 Right Angle Mounting Kit	18
6.4 CM225 and 18098 Pyranometer Mounting Stand.....	19
6.5 CM230 Adjustable Angle Mounting Kit.....	20
6.6 CM235 Magnetic Mounting Stand.....	21
6.7 R.M. Young Gill Radiation Shields	22

Figures

1-1. Typical tripod-based weather station	1
4-1. Tripod components.....	3
5-1. Tripod leg, slide collar components	4
5-2. Comparison of one leg pointing downhill (right) versus two legs pointing downhill.....	5
5-3. Tripod mast and insert.....	6
5-4. Mast attachment to tripod base.....	7
5-5. Guy collar.....	8
5-6. Leg attachment.....	9

5-7.	Staking the tripod feet	10
5-8.	Ground rod and clamp	11
5-9.	Lightning rod and tripod ground lug	12
5-10.	CM204 Crossarm	13
5-11.	Enclosure with the –MM Bracket.....	14
5-12.	Enclosure with the –LM Bracket.....	15
6-1.	CM210 Crossarm Mounting Kit (shown with user-supplied pipe)....	16
6-2.	CM216 Mast Mounting Kit	17
6-3.	CM220 Right Angle Mounting Kit	18
6-4.	CM225 Pyranometer Mounting Stand.....	19
6-5.	CM230 Adjustable Angle Mounting Kit	20
6-6.	CM235 Magnetic Mounting Stand	21
6-7.	R.M. Young Gill Radiation Shield	22

CM106 Tripod

1. General

The CM106 is a general purpose tripod that can be used for mounting sensors, solar panels, antennas, and instrument enclosures (see FIGURE 1-1). The CM106 is constructed from galvanized steel, with individually adjustable legs that allow installation over uneven terrain. Height of the mast is 2.1 m (7 ft), or 3 m (10 ft) with the mast extension.

The CM106 includes lightning and ground rods, ground cables, UV resistant cable ties, and stakes for securing the tripod feet to the ground. An optional guy kit is recommended for sites that experience high wind speeds (see Section 2, *Specifications*). Instrument enclosures can be purchased with mounting brackets that attach to either the mast or leg section as shown in Section 5.7, *Enclosure Attachment*.

The CM106 can be used for a variety of applications. For meteorological stations, sensors are mounted to the tripod using mounting brackets appropriate for the model of sensor. For non-meteorological applications, the tripod can be used to mount instrument enclosures, solar panels, junction boxes, or antennas.

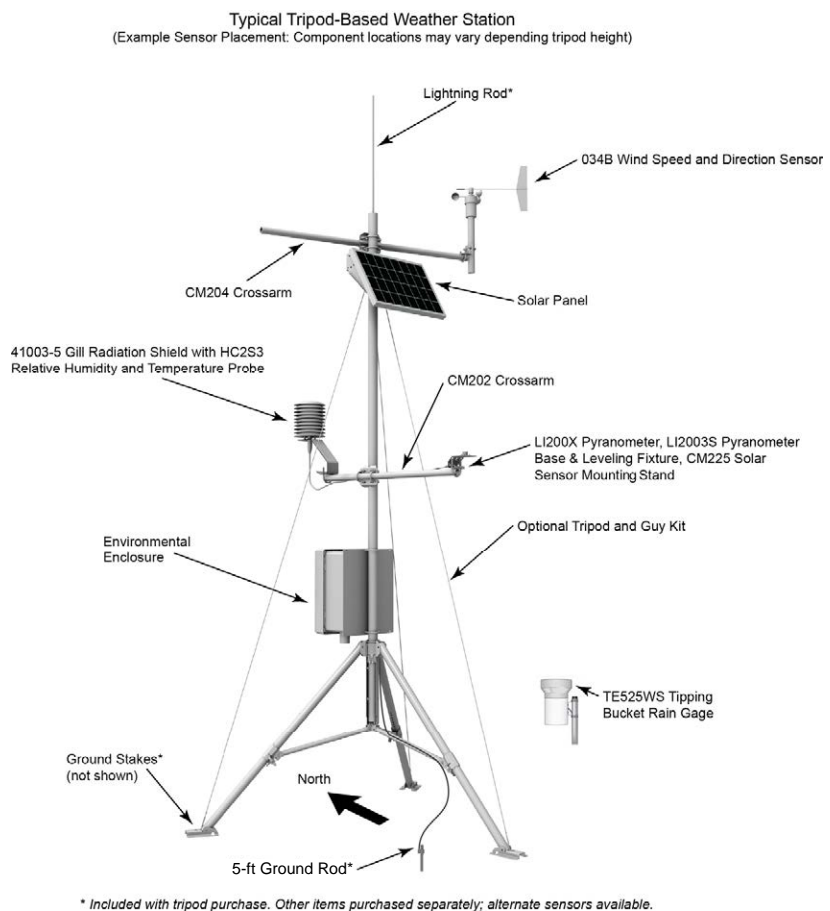


FIGURE 1-1. Typical tripod-based weather station

2. Specifications

Measurement Height	
Upper Mast Retracted:	2.1 m (7 ft)
Upper Mast Extended:	3 m (10 ft)
Vertical Load Limit:	45 kg (100 lb)
Mast Outer Diameter	
Main Lower Mast:	48 mm (1.90 in)
Retractable Upper:	44 mm (1.74 in)
Base Diameter:	2.8 m (9.3 ft)
Leveling Adjustment:	Slide collars on each leg, adjust individually
Leg Base:	4 in. by 5 in. with four 0.62 in. holes for stakes
Portability:	Collapsible to 8 in. diameter by 6 ft length
Weight with Mast:	18 kg (40 lb)
Maximum Slope Angle:	22° or 40% grade (assuming leg clamp pins are engaged in holes under the legs and that one leg points downhill while the other two legs point uphill)

Allowable Wind Speeds*

Tripod Configuration	Sustained Wind	Wind Gust
Mast Extended, Unguyed	65 mph (29 m s ⁻¹)	84 mph (38 m s ⁻¹)
Mast Retracted, Unguyed	80 mph (36 m s ⁻¹)	104 mph (46 m s ⁻¹)
Mast Extended, Guyed	100 mph (45 m s ⁻¹)	130 mph (58 m s ⁻¹)
Mast Retracted, Guyed	115 mph (51 m s ⁻¹)	150 mph (67 m s ⁻¹)

*Allowable wind speed values assume:

- 14 x 16 in. enclosure at mast base
- 10.5 x 16.5 in. solar panel at mast base
- Crossarm and sensors (1.4 ft² projected area) at mast top
- Adequate ground anchors (stakes can pull out at lower wind speeds)

3. Tools List (for tripod, mast, enclosures, and crossarms)

1/2-in. and 7/16-in. open end wrenches
 adjustable wrench
 Phillips head screw drivers (medium, small)
 Straight bit screwdrivers (large, medium)
 12-in. torpedo level
 side-cut pliers
 pencil
 tape measure
 compass and site declination angle
 shovel
 sledge hammer (for driving ground rod and stakes)
 step ladder

4. Tripod Components

FIGURE 4-1 shows the tripod components. The tripod base is packaged with the mast, mast extension, ground rod, lightning rod, and (6) stakes. The ground rod clamp, lightning rod, lightning rod clamp, cable ties, and ground wires are enclosed in a bag. The optional guy kit is packaged separately.

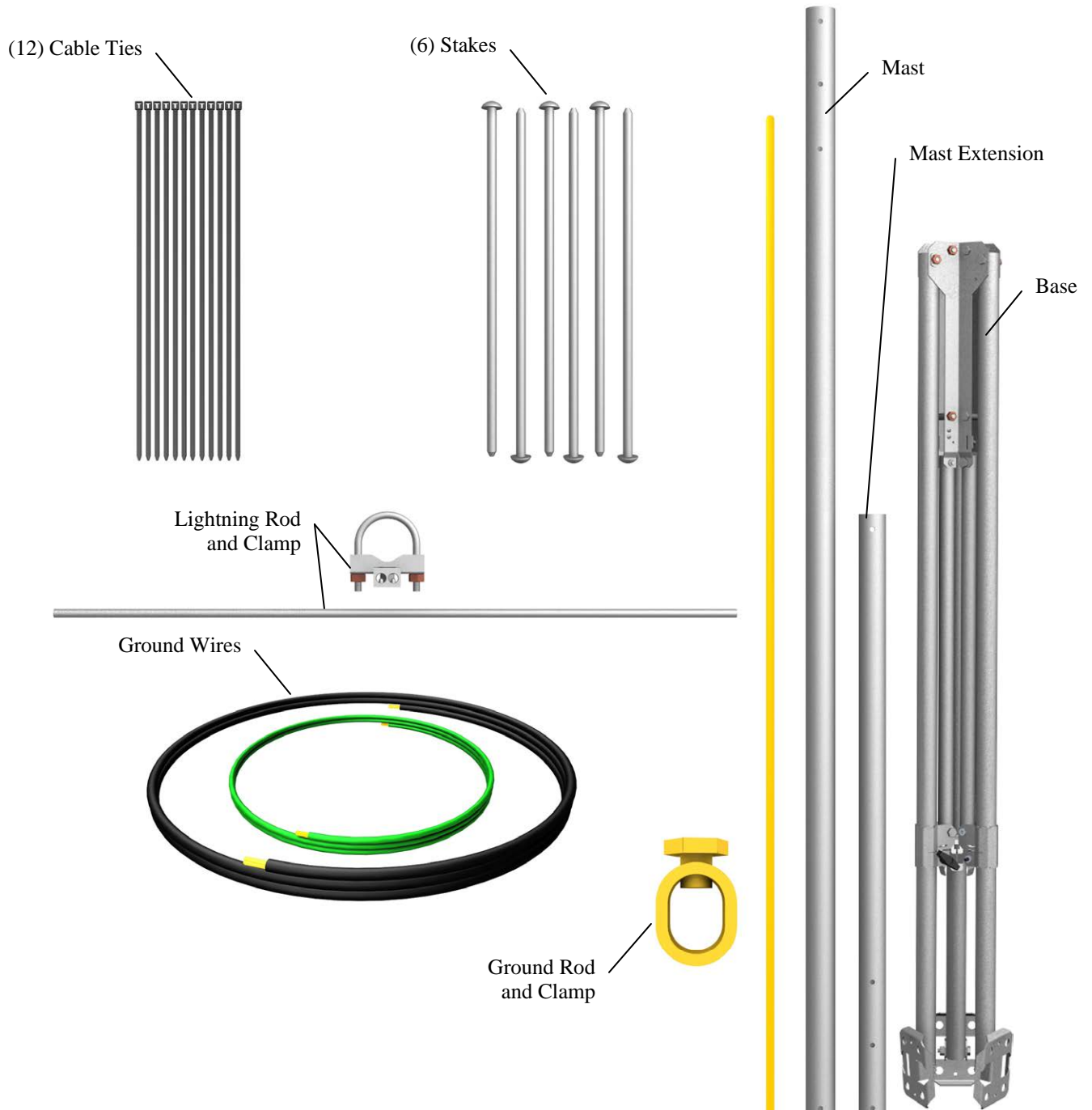


FIGURE 4-1. Tripod components

5. Tripod Installation

5.1 Tripod Base

WARNING

Tripod installation near power lines is dangerous. The minimum safe recommended distance from overhead power lines is 2 times the height of the tripod and mast combined. Call Blue Stakes to locate buried utilities prior to installation.

The tripod base has three independently adjustable legs allowing the tripod to be installed over non-level terrain.

Prepare the area where the tripod will be installed. The tripod requires an area approximately 9.3 ft (2.8 m) in diameter. Natural vegetation and the ground surface should be disturbed as little as possible, but brush and tall weeds should be removed.

Stand the tripod base up on end, and rotate the feet perpendicular to the legs. Each leg has a slide collar and T-knob with a spring-loaded pin that locks into holes located on the underside of the leg as shown in FIGURE 5-1.

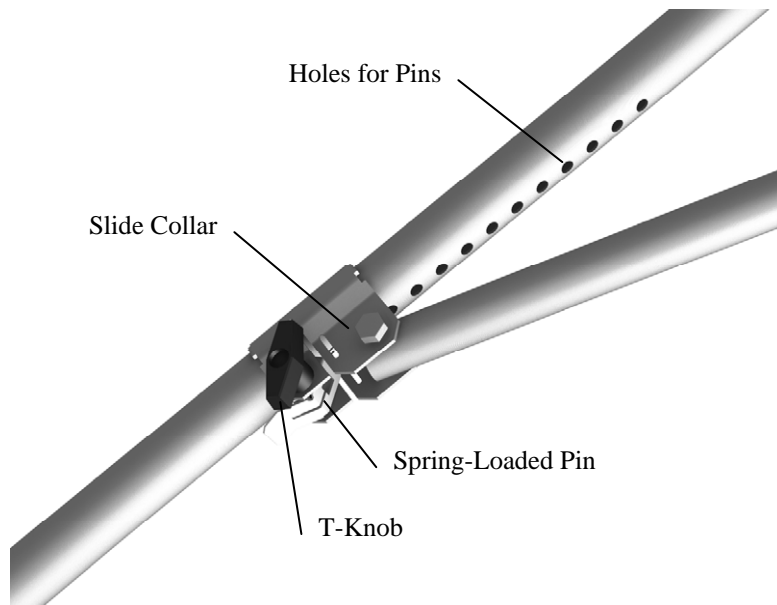


FIGURE 5-1. Tripod leg, slide collar components

5.1.1 Mounting on a Relatively Flat Area

Loosen the T-knob and extend each leg until the pin engages in a hole (depress the tab to disengage the pin from a hole). With the legs extended, orient the tripod so that one of the legs points South (assuming the instrument enclosure with –MM Mast Mount bracket will face North). If the instrument enclosure has the –LM Leg Mount bracket, orient the tripod so the enclosure will mount

to one of the three leg mount positions on the tripod, facing the desired direction. The tripod is typically plumbed after the mast has been installed, as described in Section 5.2, *Mast*.

5.1.2 Mounting on an Incline

Loosen the T-knob and extend each leg until the pin engages in a hole (depress the tab to disengage the pin from a hole). With the legs extended, orient the tripod so that one leg points downhill and the other two legs point uphill. The tripod is more stable with only one leg pointed downhill because the mast is closer to the center of the footprint (see FIGURE 5-2).

The tripod is typically plumbed after the mast has been installed, as described in Section 5.2, *Mast*.

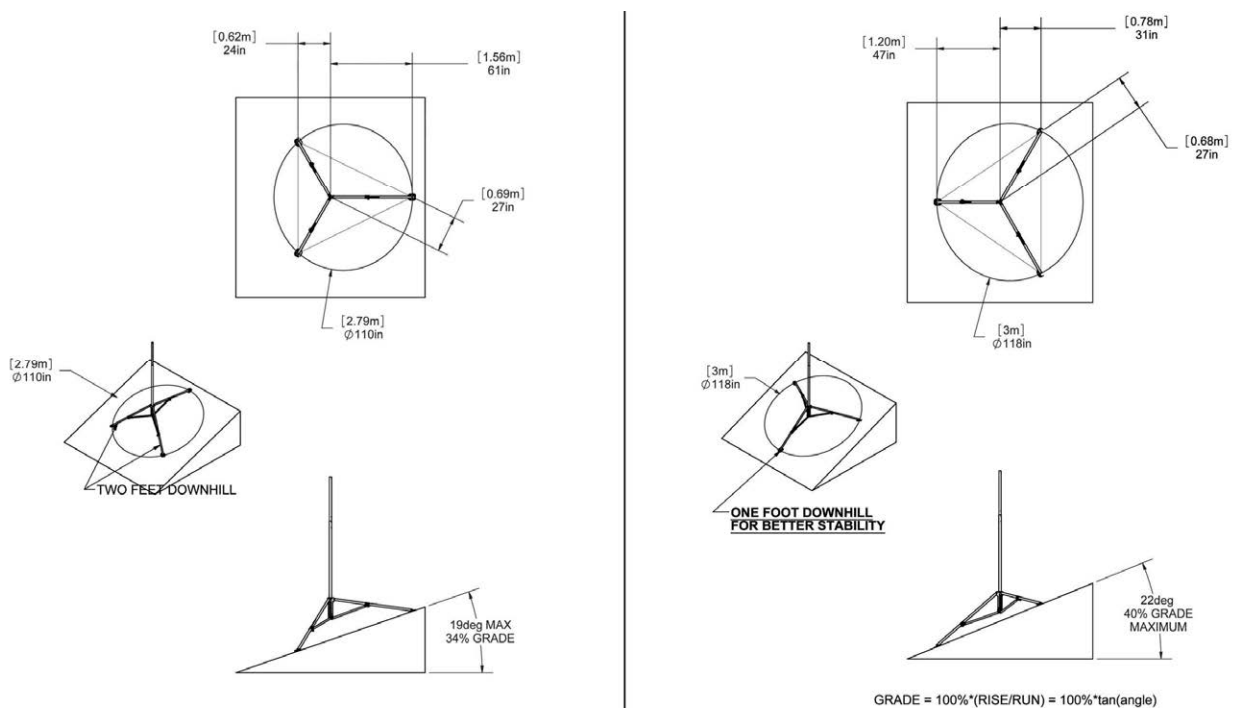


FIGURE 5-2. Comparison of one leg pointing downhill (right) versus two legs pointing downhill

5.2 Mast

The CM106 includes a mast extension that can be fully extended for a 3 m (10 ft) height, or partially extended for a 2.1 m (7 ft) height. Remove the bolts in the extension, align the holes in the insert with holes in the mast, and install the four bolts previously removed. Two additional holes spaced 4 in. apart were added to the mast extension 9/2012. The additional holes make it possible for the extension to extend 8 in. or 12 in., or 20 in., 24 in., or 28 in. above the mast depending on which end is inserted in the mast.

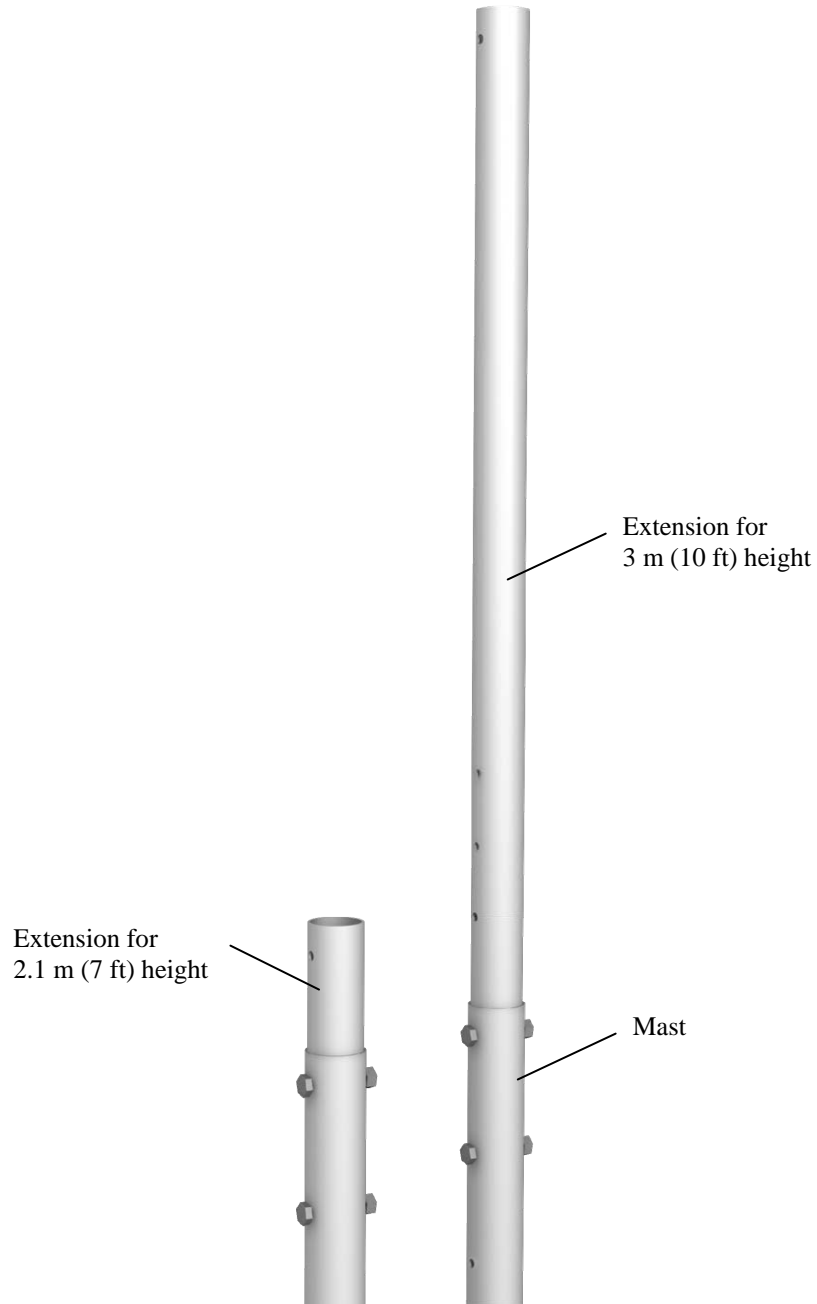


FIGURE 5-3. Tripod mast and insert

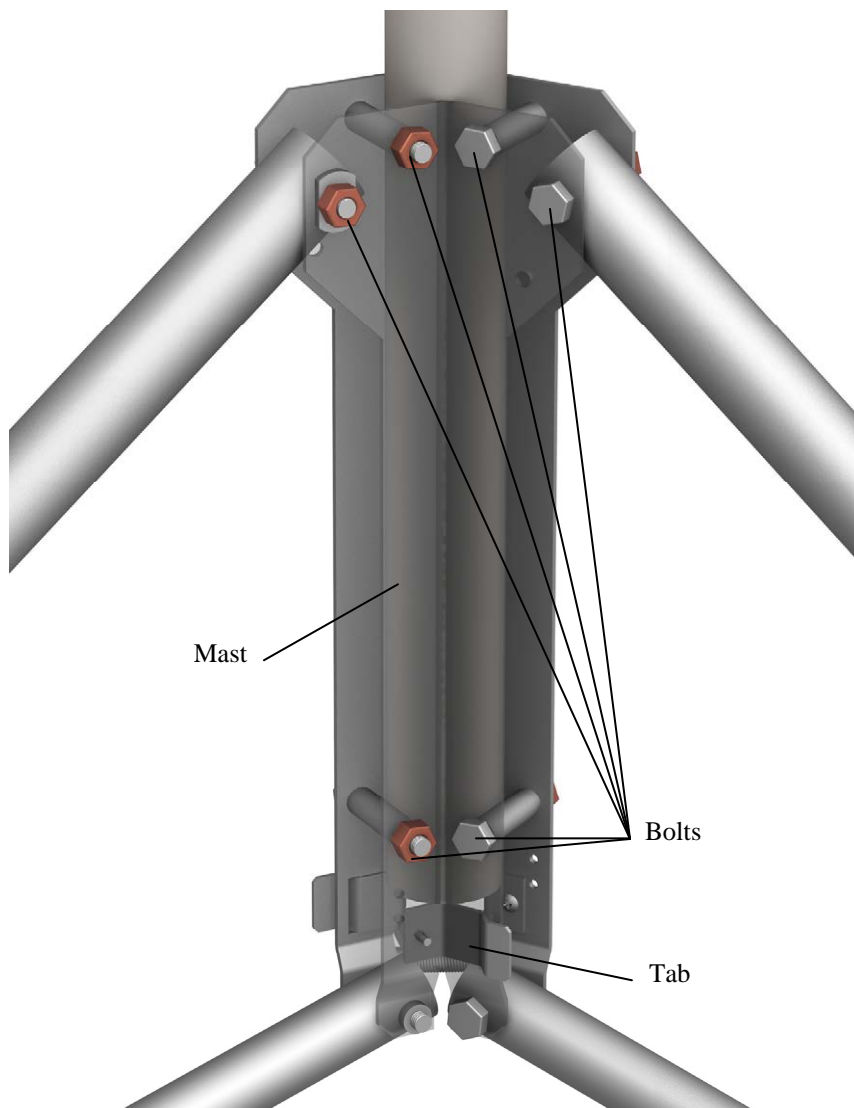


FIGURE 5-4. Mast attachment to tripod base

Loosen the nine bolts on the tripod base. FIGURE 5-4 shows the location of six of these bolts. The remaining bolts are in the same position on the third tripod leg. Slide the mast into the tripod base, making sure that it extends below the lower bolts and rests on the tab. Tighten the six bolts to secure the mast.

Plumb the tripod by adjusting the northeast and south facing legs. With a level on the East side of the mast, adjust the Northeast leg for plumb. With the level on the South side of the mast, adjust the South leg for plumb. Tighten the T-knobs after the adjustments have been made.

5.3 Installing the Optional Guy Kit

Part 27117, *CM106 Guy Kit*, can be ordered separately for areas that experience high wind speeds (Section 2, *Specifications*). Install the guy brackets to the mast as shown in FIGURE 5-5. Attach the three guy wires to the guy collar and slide the collar over the mast so that the collar butts against the brackets.

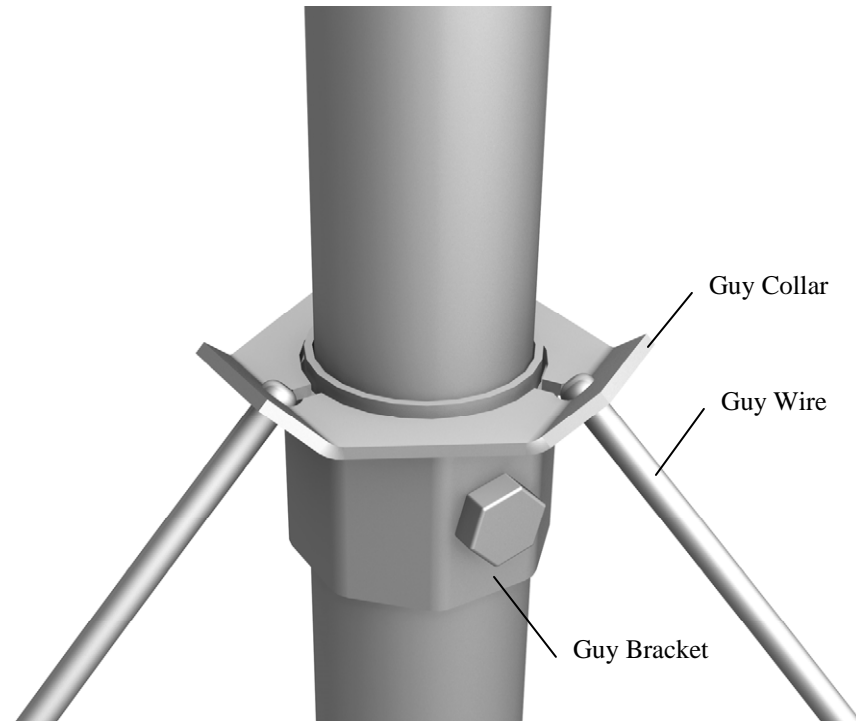


FIGURE 5-5. Guy collar

On the end of each guy line is a case and hardware to attach to the turnbuckles. Unscrew the turnbuckles so that only 1/2 in. of thread extends beyond the inside of the turnbuckle body. Attach the case and turnbuckle to the tripod leg as shown in FIGURE 5-6. Loosen the Phillips screw, and remove the slack in the guy line by feeding the load end of the guy wire through the wedge while pulling up on the dead end. If the load end of the guy wire can't be fed through the case, use a small flat screwdriver to push the wedge forward into the case to disengage wedge.

After the slack has been removed from the guy lines, tighten the Phillips screws and tighten the turnbuckles to tension the guy lines.

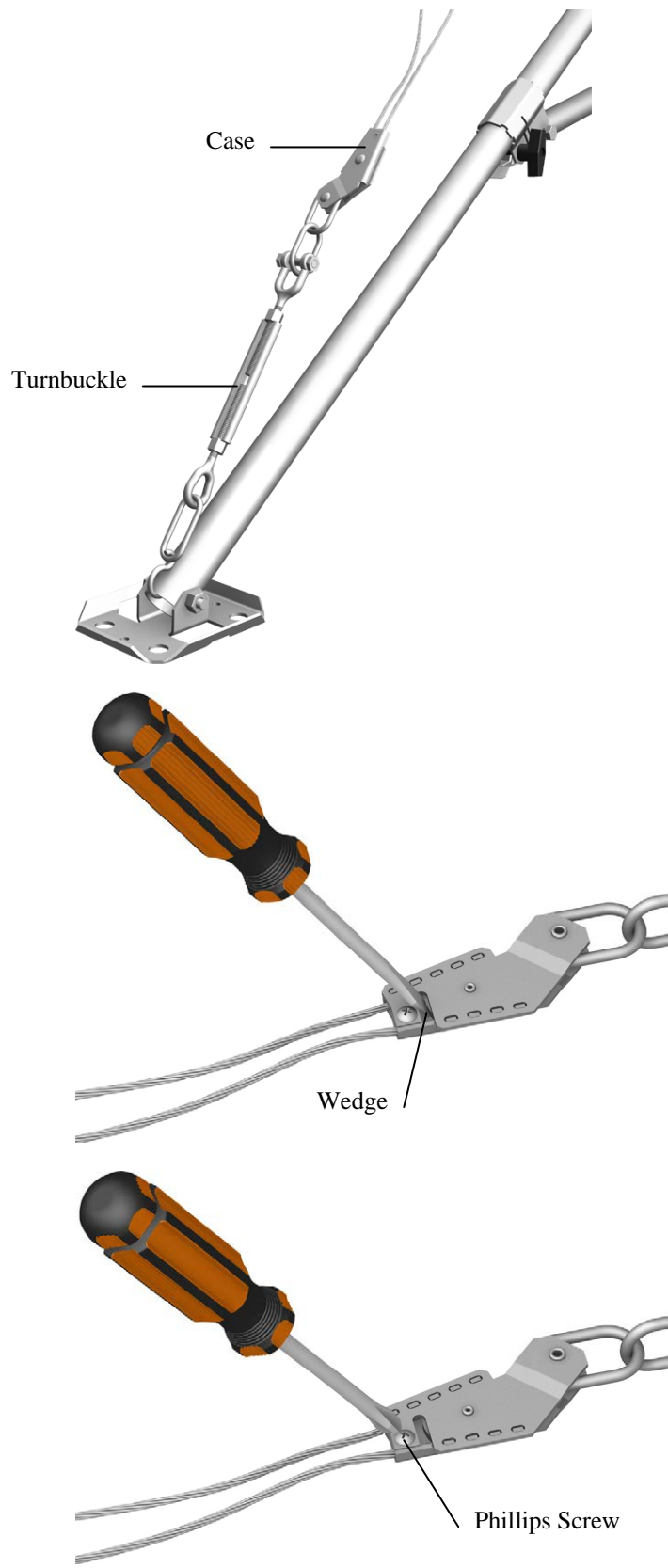


FIGURE 5-6. Leg attachment

5.4 Staking the Tripod Feet

Six stakes are provided for securing the tripod feet to the ground. Drive two stakes through holes in each foot at an angle as shown in FIGURE 5-7.

Stakes may not be adequate depending on soil structure, maximum wind speeds experienced at the site, mast height, or wind load from the instrumentation. For questionable situations, additional stakes (pn 17049) or even concrete footings for the tripod feet and guy anchors should be considered.



FIGURE 5-7. Staking the tripod feet

5.5 Tripod Grounding

Place the clamp over the ground rod and drive the rod (close to the center of the tripod) using a sledge hammer or fence post driver. Strip 1/2 in. of insulation from both ends of the black 4 AWG ground wire. Insert one end of the ground wire between the clamp and ground rod and tighten the bolt on the clamp. Attach the other end of the ground wire to the lug on the tripod base as shown in FIGURE 5-8.

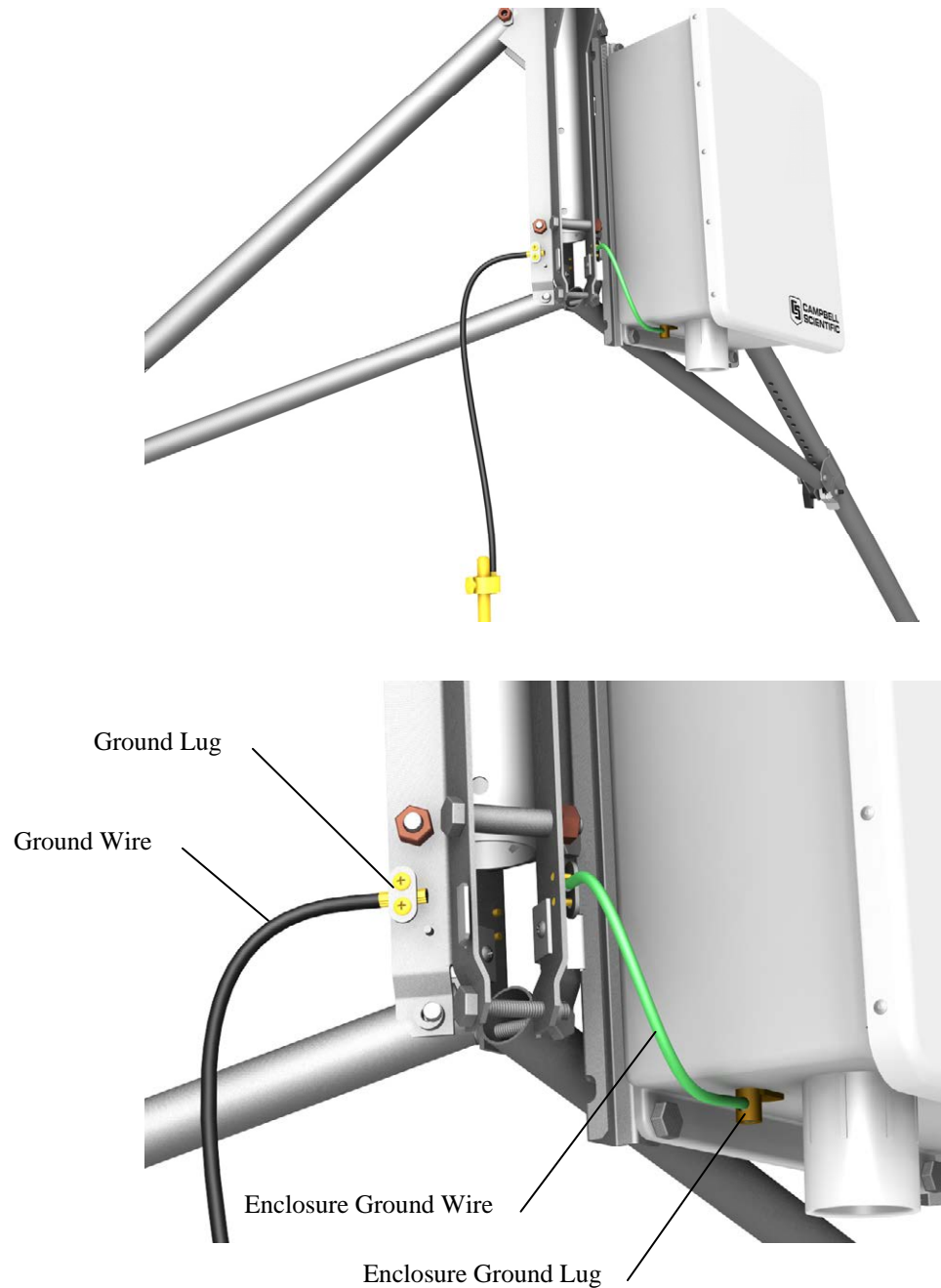


FIGURE 5-8. Ground rod and clamp

Strip 1/2 in. of insulation from the ends of the green 12 AWG wire. Attach one end of the wire to the tripod ground lug, and the other end to the enclosure ground lug as shown in FIGURE 5-8.

Mount the lightning rod and clamp to the tripod mast with pointed tip up, and notch at bottom (FIGURE 5-9).

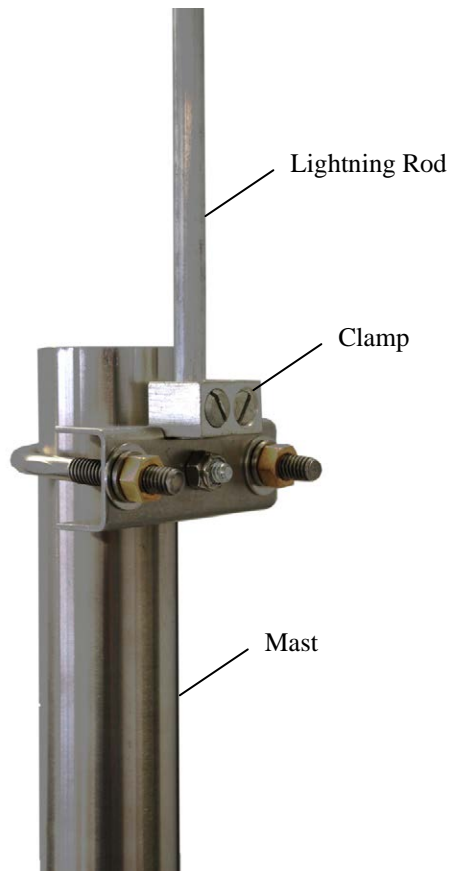


FIGURE 5-9. Lightning rod and tripod ground lug

5.6 Crossarm Attachment

Attach the CM202 (0.6 m, 2 ft), CM204 (1.2 m, 4 ft), or CM206 (1.8 m, 6 ft) crossarm to the tripod mast as shown in FIGURE 5-10. For wind sensors, the crossarm should be approximately 103 in. above the ground for a 3 m mounting height, or 64 in. for a 2 m mounting height. Typically the crossarm is oriented East/West for wind sensors, North/South for pyranometers.

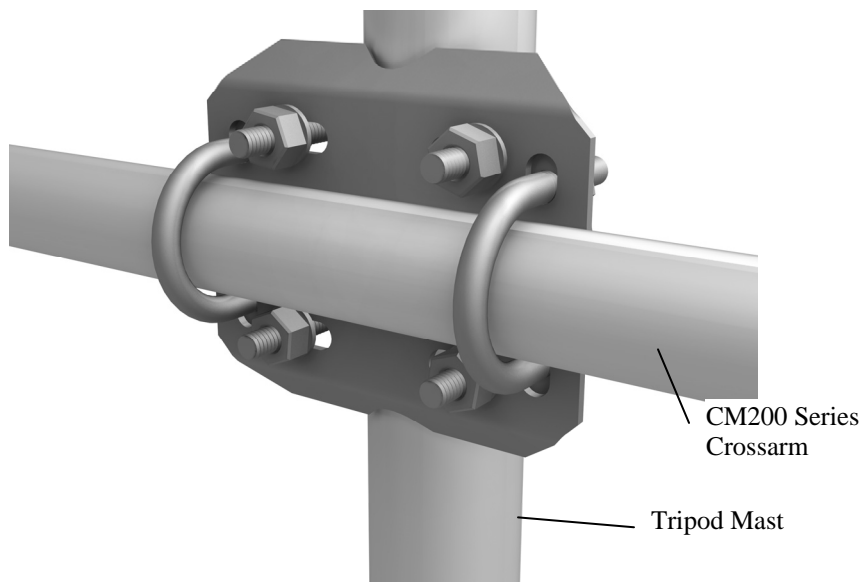


FIGURE 5-10. CM204 Crossarm

5.7 Enclosure Attachment

The ENC10/12, ENC12/14, ENC14/16, and ENC16/18 enclosures can be ordered with mounting brackets for the CM106 tripod. All enclosure models can be mounted to the tripod mast (above the legs) with the –MM Mast Mount bracket option. All enclosure models except the ENC16/18 can be mounted to the tripod base and leg with the –LM Leg Mount bracket option. Two enclosures with the –LM brackets can be mounted in a “back to back” configuration.

5.7.1 Enclosure Mounting to Tripod Mast

An enclosure ordered with the –MM bracket has a three-piece top and bottom brackets with a U-bolt for each bracket.

Attach an enclosure with the –MM mounting bracket to the tripod mast as follows:

Remove the U-bolts, washers, and nuts from the brackets.

Position the enclosure against the tripod’s mast (North side recommended).

Install the U-bolts, flat washers, lock washers, and nuts (FIGURE 5-11). Tighten the nuts until the lock washers are compressed.

Route the 14 AWG wire from the ground lug on the bottom side of the enclosure to the ground lug on the base of the tripod (FIGURE 5-8). Strip 1/2 in. of insulation from each end of the wire. Insert wire ends into the ground lugs and tighten.

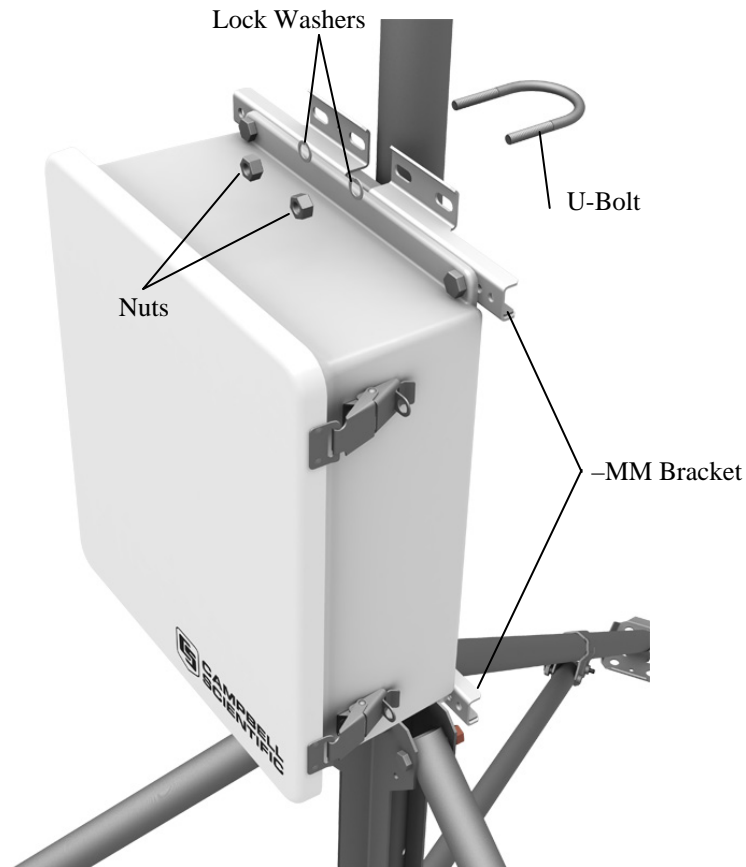


FIGURE 5-11. Enclosure with the -MM bracket

5.7.2 Enclosure Mounting to Tripod Leg

An enclosure ordered with the -LM bracket has a bracket on each side of the enclosure, and a U-bolt bracket for securing the enclosure to a tripod leg.

Attach an enclosure with the -LM mounting bracket to the tripod base as follows:

Slide the keyhole notch in upper corner of the -LM bracket over the extended screw head located on the tripod base as shown in FIGURE 5-12, and engage the notch in the lower corner of the -LM bracket with the enclosure tab. There are two places on the tripod base with provisions for mounting enclosures with the -LM brackets.

Remove the washers, nuts, and U-bolt from the U-bolt bracket. Install the bracket as shown in FIGURE 5-12 (top). Tighten the nuts on the U-bolt until the lock washers are compressed.

Route the 14 AWG wire from the ground lug on the bottom side of the enclosure to the ground lug on the base of the tripod (FIGURE 5-8). Strip 1/2 in. of insulation from each end of the wire. Insert wire ends into the ground lugs and tighten.

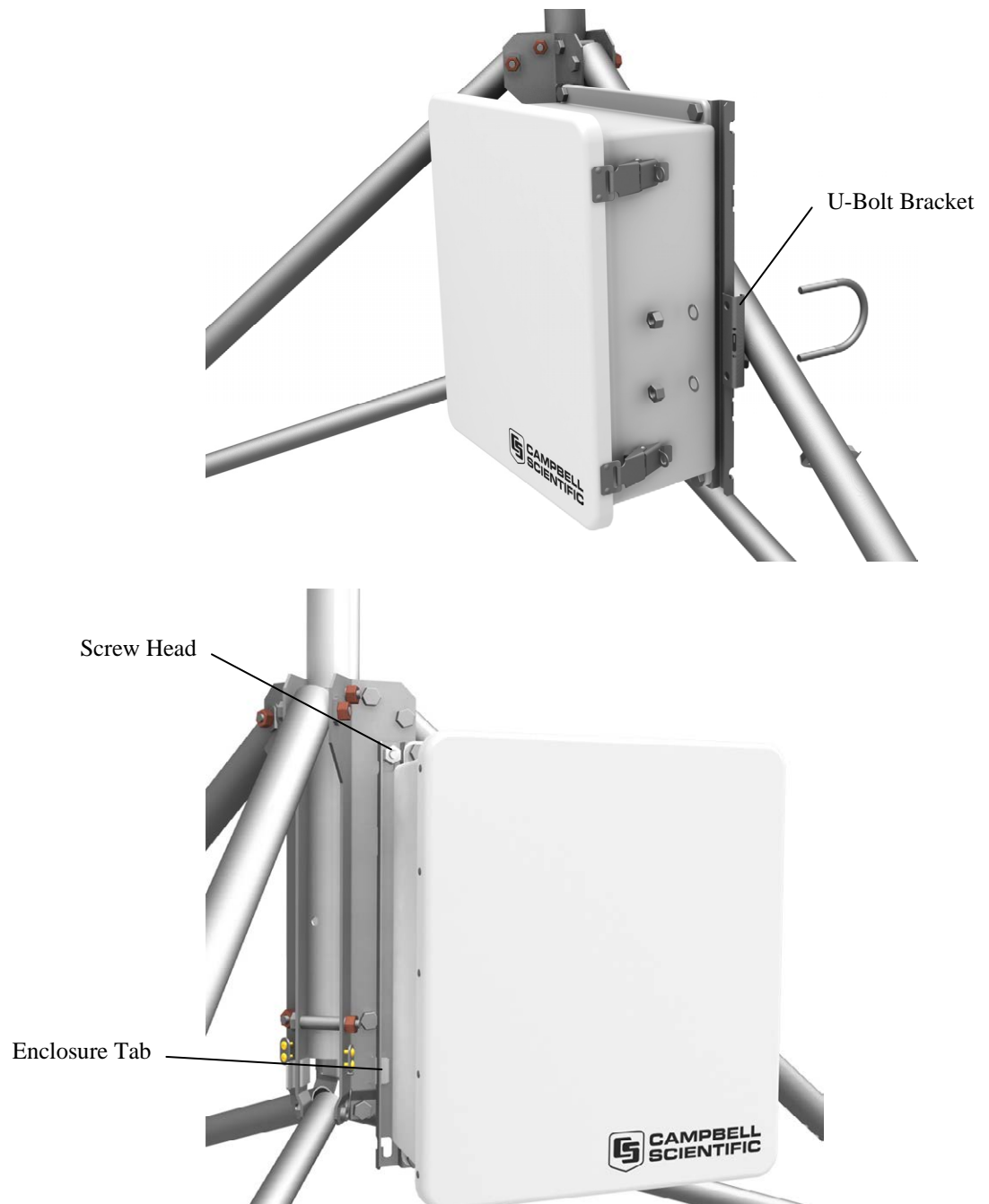


FIGURE 5-12. Enclosure with the -LM bracket

6. Mounting Brackets

Mounting brackets covered in this section have U-bolts that attach to vertical and/or horizontal pipes with the following ranges of outside diameters:

	inches	mm	Nominal Pipe Size (inches)
1.5-in. U-bolt	1.0 – 1.5	25.4 – 38.1	$\frac{3}{4}$ – 1
2-in. U-bolt	1.3 – 2.1	33.0 – 53.3	1 – 1 $\frac{1}{2}$
2-in. U-bolt with plastic V-block	1.0 – 2.1	25.4 – 53.3	$\frac{3}{4}$ – 1 $\frac{1}{2}$

Some of the brackets (for example, the CM210) include 1.5-in. and 2-in. U-bolts to extend the range of pipe diameters that the bracket can accommodate. Brackets with holes for a 1.5-in. U-bolt will accept a user-supplied 1.75-in. U-bolt.

6.1 CM210 Crossarm Mounting Kit

CM200 series crossarms include a CM210 bracket as shown in FIGURE 6-1. The CM210 can be ordered separately to attach a user-supplied pipe (1.0-in. to 1.5-in. OD) to a mast or tower leg (1.0-in. to 2.1-in. OD), or to attach a crossarm to two tower legs.

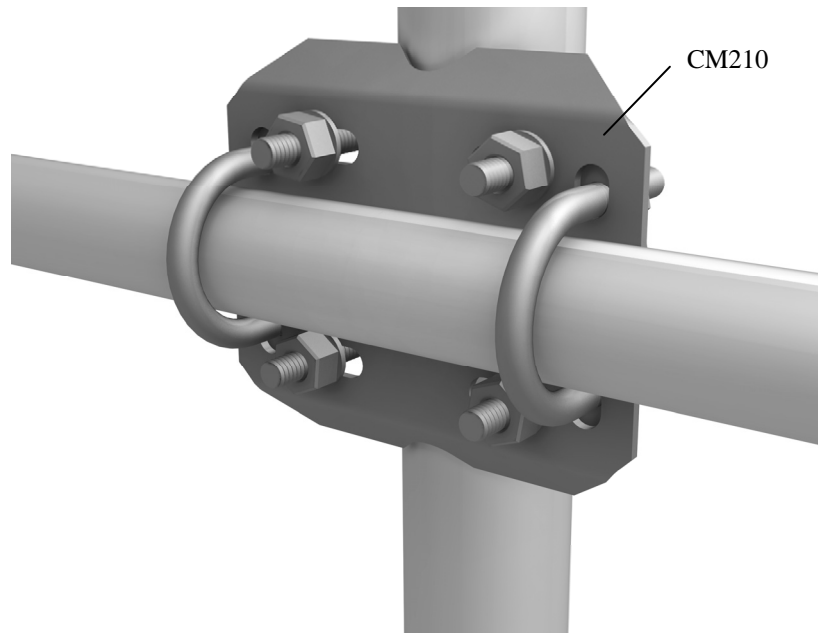


FIGURE 6-1. CM210 Crossarm Mounting Kit (shown with user-supplied pipe)

6.2 CM216 Mast Mounting Kit

The CM216 attaches to the top of the mast, and provides a 3/4-in. or 1-in. mounting pipe (1.05-in. or 1.32-in. OD) that extends 4 in. above the mast, as shown in FIGURE 6-2.



FIGURE 6-2. CM216 Mast Mounting Kit

6.3 CM220 Right Angle Mounting Kit

The CM220 attaches a vertical pipe (1.0-in. to 1.5-in. OD) to the CM200-series crossarms or horizontal pipe (1.0-in. to 1.5-in. OD) as shown in FIGURE 6-3.

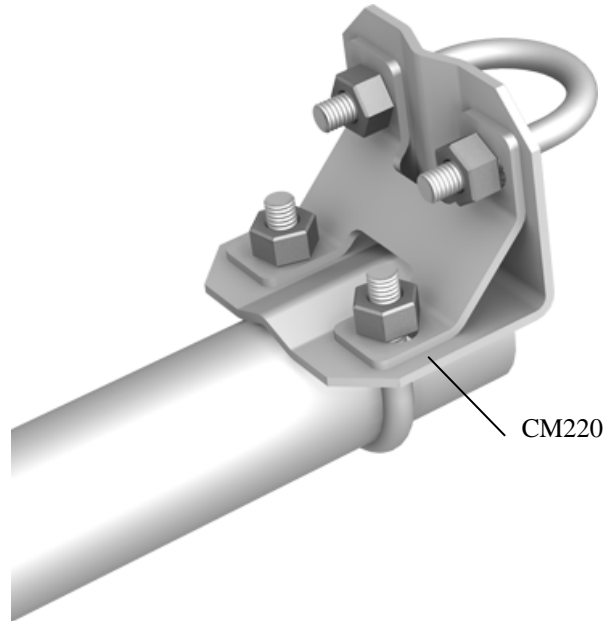


FIGURE 6-3. CM220 Right Angle Mounting Kit

6.4 CM225 and 18098 Pyranometer Mounting Stand

The CM225 is used to attach a pyranometer or quantum sensor to a horizontal pipe (1.0-in. to 2.1-in. OD) or vertical pole (1.0-in. to 2.1-in. OD).

The LI200X pyranometer and LI190SB quantum sensor mount to the CM225 via the LI200S leveling base (see FIGURE 6-4). The CS300 pyranometer mounts to the CM225 via the 18356 leveling base. The CMP3 and LP02 pyranometers include their own bubble level and leveling screws allowing them to mount directly to the CM225.

The 18098 provides a larger surface for mounting a user-supplied Eppley pyranometer.

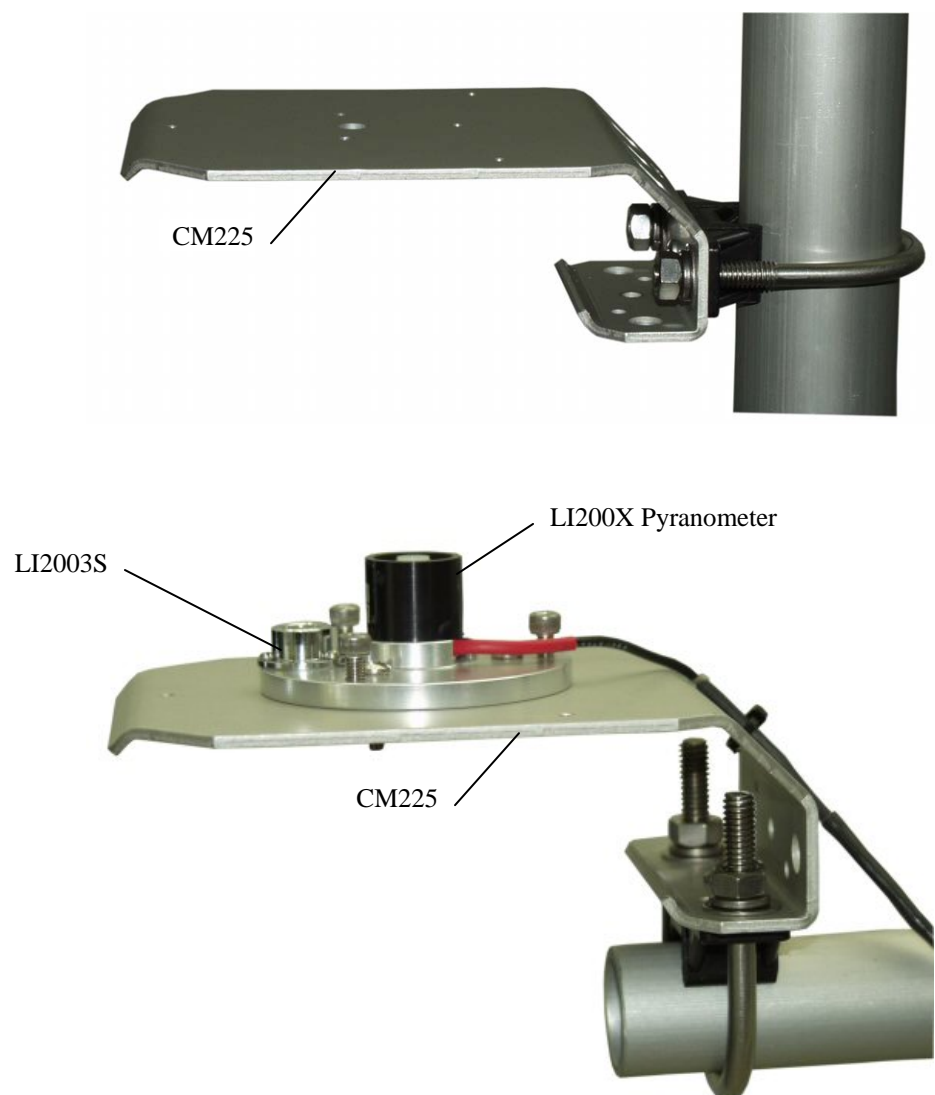


FIGURE 6-4. CM225 Pyranometer Mounting Stand

6.5 CM230 Adjustable Angle Mounting Kit

The CM230 mounts an antenna (1.0-in. to 1.5-in. OD) to a mast or vertical pipe (1.3-in. to 2.1-in. OD) as shown in FIGURE 6-5. The bracket allows the antenna to be adjusted for different angles.

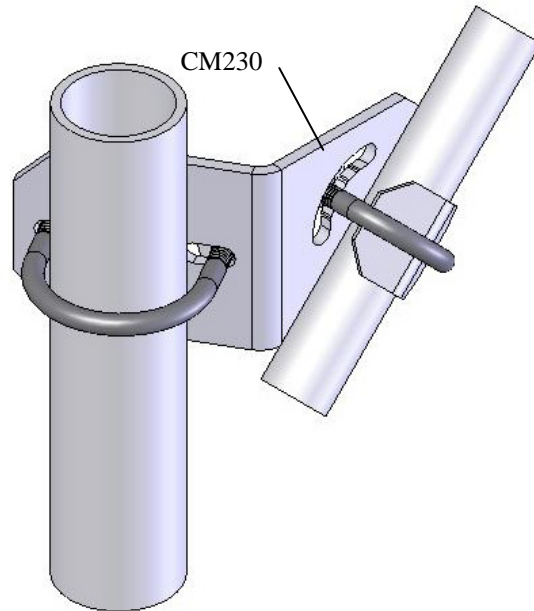


FIGURE 6-5. CM230 Adjustable Angle Mounting Kit

6.6 CM235 Magnetic Mounting Stand

The CM235 provides a 8.8 cm (3.5 in) square platform for mounting magnetic base antennas. The CM235 attaches to horizontal or vertical pipes (1.0-in. to 2.1-in. OD) as shown in FIGURE 6-6.



FIGURE 6-6. CM235 Magnetic Mounting Stand

6.7 R.M. Young Gill Radiation Shields

R.M. Young Gill Radiation Shields are used to house and attach temperature and relative humidity sensors to the tripod mast (1.0-in. to 2.1-in. OD) or crossarm as shown in FIGURE 6-7. Radiation shields ship with the U-bolt configured for attachment to a vertical pipe. To attach the radiation shield to a horizontal pipe, the U-bolt and plastic V-block must be moved to the other set of holes.

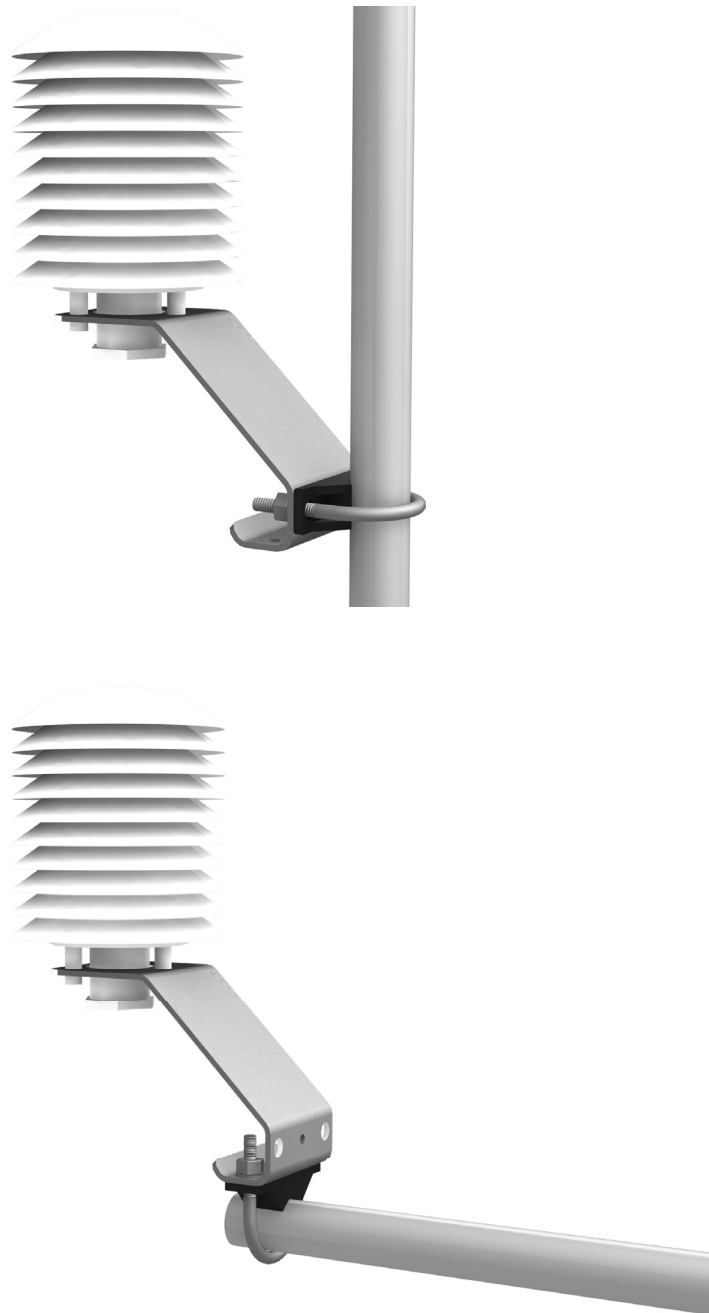


FIGURE 6-7. R.M. Young Gill Radiation Shield

Campbell Scientific Companies

Campbell Scientific, Inc. (CSI)

815 West 1800 North
Logan, Utah 84321
UNITED STATES

www.campbellsci.com • info@campbellsci.com

Campbell Scientific Africa Pty. Ltd. (CSAf)

PO Box 2450
Somerset West 7129
SOUTH AFRICA

www.csafrica.co.za • cleroux@csafrica.co.za

Campbell Scientific Australia Pty. Ltd. (CSA)

PO Box 8108
Garbutt Post Shop QLD 4814
AUSTRALIA

www.campbellsci.com.au • info@campbellsci.com.au

Campbell Scientific do Brasil Ltda. (CSB)

Rua Apinagés, nbr. 2018 — Perdizes
CEP: 01258-00 — São Paulo — SP
BRASIL

www.campbellsci.com.br • vendas@campbellsci.com.br

Campbell Scientific Canada Corp. (CSC)

11564 - 149th Street NW
Edmonton, Alberta T5M 1W7
CANADA

www.campbellsci.ca • dataloggers@campbellsci.ca

Campbell Scientific Centro Caribe S.A. (CSCC)

300 N Cementerio, Edificio Breller
Santo Domingo, Heredia 40305
COSTA RICA

www.campbellsci.cc • info@campbellsci.cc

Campbell Scientific Ltd. (CSL)

Campbell Park
80 Hathern Road
Shepshed, Loughborough LE12 9GX
UNITED KINGDOM

www.campbellsci.co.uk • sales@campbellsci.co.uk

Campbell Scientific Ltd. (France)

3 Avenue de la Division Leclerc
92160 ANTONY
FRANCE

www.campbellsci.fr • info@campbellsci.fr

Campbell Scientific Spain, S. L.

Avda. Pompeu Fabra 7-9, local 1
08024 Barcelona
SPAIN

www.campbellsci.es • info@campbellsci.es

Please visit www.campbellsci.com to obtain contact information for your local US or international representative.