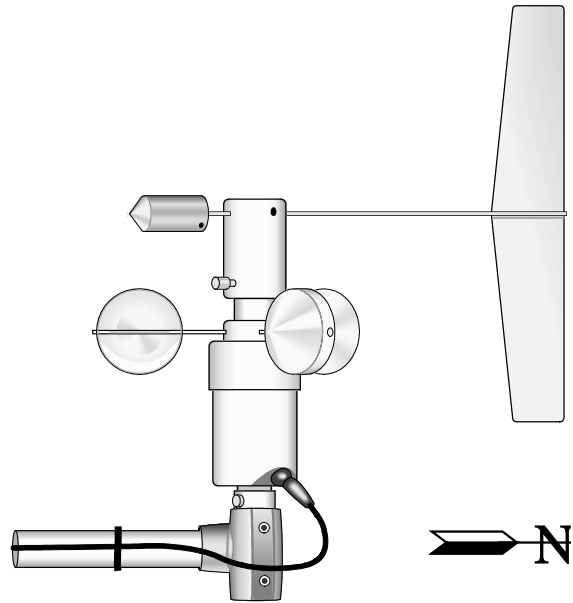


# INSTRUCTION MANUAL



## Met One 034B Wind Set

Revision: 8/17



Copyright © 1980-2017  
Campbell Scientific, Inc.



# **Limited Warranty**

---

“Products manufactured by CSI are warranted by CSI to be free from defects in materials and workmanship under normal use and service for twelve months from the date of shipment unless otherwise specified in the corresponding product manual. (Product manuals are available for review online at [www.campbellsci.com](http://www.campbellsci.com).) Products not manufactured by CSI, but that are resold by CSI, are warranted only to the limits extended by the original manufacturer. Batteries, fine-wire thermocouples, desiccant, and other consumables have no warranty. CSI’s obligation under this warranty is limited to repairing or replacing (at CSI’s option) defective Products, which shall be the sole and exclusive remedy under this warranty. The Customer assumes all costs of removing, reinstalling, and shipping defective Products to CSI. CSI will return such Products by surface carrier prepaid within the continental United States of America. To all other locations, CSI will return such Products best way CIP (port of entry) per Incoterms ® 2010. This warranty shall not apply to any Products which have been subjected to modification, misuse, neglect, improper service, accidents of nature, or shipping damage. This warranty is in lieu of all other warranties, expressed or implied. The warranty for installation services performed by CSI such as programming to customer specifications, electrical connections to Products manufactured by CSI, and Product specific training, is part of CSI’s product warranty. **CSI EXPRESSLY DISCLAIMS AND EXCLUDES ANY IMPLIED WARRANTIES OF MERCHANTABILITY OR FITNESS FOR A PARTICULAR PURPOSE. CSI hereby disclaims, to the fullest extent allowed by applicable law, any and all warranties and conditions with respect to the Products, whether express, implied or statutory, other than those expressly provided herein.”**

# Assistance

---

Products may not be returned without prior authorization. The following contact information is for US and international customers residing in countries served by Campbell Scientific, Inc. directly. Affiliate companies handle repairs for customers within their territories. Please visit [www.campbellsci.com](http://www.campbellsci.com) to determine which Campbell Scientific company serves your country.

To obtain a Returned Materials Authorization (RMA) number, contact CAMPBELL SCIENTIFIC, INC., phone (435) 227-9000. Please write the issued RMA number clearly on the outside of the shipping container. Campbell Scientific's shipping address is:

**CAMPBELL SCIENTIFIC, INC.**

RMA# \_\_\_\_\_  
815 West 1800 North  
Logan, Utah 84321-1784

For all returns, the customer must fill out a "Statement of Product Cleanliness and Decontamination" form and comply with the requirements specified in it. The form is available from our website at [www.campbellsci.com/repair](http://www.campbellsci.com/repair). A completed form must be either emailed to [repair@campbellsci.com](mailto:repair@campbellsci.com) or faxed to (435) 227-9106. Campbell Scientific is unable to process any returns until we receive this form. If the form is not received within three days of product receipt or is incomplete, the product will be returned to the customer at the customer's expense. Campbell Scientific reserves the right to refuse service on products that were exposed to contaminants that may cause health or safety concerns for our employees.

# Safety

---

**DANGER — MANY HAZARDS ARE ASSOCIATED WITH INSTALLING, USING, MAINTAINING, AND WORKING ON OR AROUND TRIPODS, TOWERS, AND ANY ATTACHMENTS TO TRIPODS AND TOWERS SUCH AS SENSORS, CROSSARMS, ENCLOSURES, ANTENNAS, ETC. FAILURE TO PROPERLY AND COMPLETELY ASSEMBLE, INSTALL, OPERATE, USE, AND MAINTAIN TRIPODS, TOWERS, AND ATTACHMENTS, AND FAILURE TO HEED WARNINGS, INCREASES THE RISK OF DEATH, ACCIDENT, SERIOUS INJURY, PROPERTY DAMAGE, AND PRODUCT FAILURE. TAKE ALL REASONABLE PRECAUTIONS TO AVOID THESE HAZARDS. CHECK WITH YOUR ORGANIZATION'S SAFETY COORDINATOR (OR POLICY) FOR PROCEDURES AND REQUIRED PROTECTIVE EQUIPMENT PRIOR TO PERFORMING ANY WORK.**

Use tripods, towers, and attachments to tripods and towers only for purposes for which they are designed. Do not exceed design limits. Be familiar and comply with all instructions provided in product manuals. Manuals are available at [www.campbellsci.com](http://www.campbellsci.com) or by telephoning (435) 227-9000 (USA). You are responsible for conformance with governing codes and regulations, including safety regulations, and the integrity and location of structures or land to which towers, tripods, and any attachments are attached. Installation sites should be evaluated and approved by a qualified engineer. If questions or concerns arise regarding installation, use, or maintenance of tripods, towers, attachments, or electrical connections, consult with a licensed and qualified engineer or electrician.

## General

- Prior to performing site or installation work, obtain required approvals and permits. Comply with all governing structure-height regulations, such as those of the FAA in the USA.
- Use only qualified personnel for installation, use, and maintenance of tripods and towers, and any attachments to tripods and towers. The use of licensed and qualified contractors is highly recommended.
- Read all applicable instructions carefully and understand procedures thoroughly before beginning work.
- Wear a **hardhat** and **eye protection**, and take **other appropriate safety precautions** while working on or around tripods and towers.
- **Do not climb** tripods or towers at any time, and prohibit climbing by other persons. Take reasonable precautions to secure tripod and tower sites from trespassers.
- Use only manufacturer recommended parts, materials, and tools.

## Utility and Electrical

- **You can be killed** or sustain serious bodily injury if the tripod, tower, or attachments you are installing, constructing, using, or maintaining, or a tool, stake, or anchor, come in **contact with overhead or underground utility lines**.
- Maintain a distance of at least one-and-one-half times structure height, 20 feet, or the distance required by applicable law, **whichever is greater**, between overhead utility lines and the structure (tripod, tower, attachments, or tools).
- Prior to performing site or installation work, inform all utility companies and have all underground utilities marked.
- Comply with all electrical codes. Electrical equipment and related grounding devices should be installed by a licensed and qualified electrician.

## Elevated Work and Weather

- Exercise extreme caution when performing elevated work.
- Use appropriate equipment and safety practices.
- During installation and maintenance, keep tower and tripod sites clear of un-trained or non-essential personnel. Take precautions to prevent elevated tools and objects from dropping.
- Do not perform any work in inclement weather, including wind, rain, snow, lightning, etc.

## Maintenance

- Periodically (at least yearly) check for wear and damage, including corrosion, stress cracks, frayed cables, loose cable clamps, cable tightness, etc. and take necessary corrective actions.
- Periodically (at least yearly) check electrical ground connections.

WHILE EVERY ATTEMPT IS MADE TO EMBODY THE HIGHEST DEGREE OF SAFETY IN ALL CAMPBELL SCIENTIFIC PRODUCTS, THE CUSTOMER ASSUMES ALL RISK FROM ANY INJURY RESULTING FROM IMPROPER INSTALLATION, USE, OR MAINTENANCE OF TRIPODS, TOWERS, OR ATTACHMENTS TO TRIPODS AND TOWERS SUCH AS SENSORS, CROSSARMS, ENCLOSURES, ANTENNAS, ETC.



# Table of Contents

---

*PDF viewers: These page numbers refer to the printed version of this document. Use the PDF reader bookmarks tab for links to specific sections.*

<b>1. Introduction .....</b>	<b>1</b>
<b>2. Precautions .....</b>	<b>1</b>
<b>3. Initial Inspection .....</b>	<b>1</b>
3.1 Ships With List .....	2
<b>4. QuickStart.....</b>	<b>2</b>
<b>5. Overview.....</b>	<b>3</b>
<b>6. Specifications .....</b>	<b>4</b>
6.1 Wind Speed.....	4
6.2 Wind Direction.....	4
6.3 General Specifications .....	5
<b>7. Installation.....</b>	<b>5</b>
7.1 Siting.....	5
7.2 Mounting Options .....	5
7.2.1 Mount to a Crossarm.....	5
7.2.2 Mount to Top of Tripod .....	8
7.3 Wiring .....	8
7.4 Programming.....	9
7.4.1 Wind Speed.....	9
7.4.2 Wind Direction .....	10
7.4.3 Wind Vector Processing Instruction .....	10
7.4.4 Long Lead Lengths .....	11
<b>8. Maintenance and Troubleshooting .....</b>	<b>11</b>
8.1 Maintenance.....	11
8.2 Troubleshooting .....	11
8.2.1 Wind Direction .....	11
8.2.2 Wind Speed.....	12
<b>9. References .....</b>	<b>12</b>
 <b>Appendices</b>	
<b>A. Importing Short Cut Code .....</b>	<b>A-1</b>
<b>B. Example Program .....</b>	<b>B-1</b>

**C. Wind Direction Sensor Orientation ..... C-1**

- C.1 Determining True North and Sensor Orientation ..... C-1

**D. Wind Direction Measurement Theory..... D-1**

**Figures**

- 7-1. 034B mounted on a crossarm using a 17953 Nu-Rail® Crossover Fitting..... 7
- 7-2. Crossarm with CM220 Right Angle Mounting Bracket..... 7
- 7-3. CM216 mount ..... 8
- C-1. Magnetic declination for the contiguous United States (2004) ..... C-2
- C-2. Declination angles east of True North are subtracted from 0 to get True North..... C-3
- C-3. Declination angles west of True North are added to 0 to get True North ..... C-3
- D-1. 034B potentiometer in a half bridge circuit..... D-1

**Tables**

- 5-1. Recommended Cable Lengths..... 4
- 7-1. Wire Color, Wire Function, and Datalogger Connection ..... 8
- 7-2. Wind Speed Multiplier\* ..... 10
- 7-3. Parameters for Wind Direction..... 10
- B-1. Wiring for Example Program ..... B-1

**CRBasic Example**

- B-1. CR1000 Program That Measures the 034B..... B-1



# Met One 034B Wind Set

---

## 1. Introduction

The 034B Wind Set combines a 3-cup anemometer and vane into a single integrated package to measure wind speed and direction. It is cabled for use with our dataloggers, and can provide measurements for a variety of applications.

---

**NOTE**

This manual provides information only for CRBasic dataloggers. It is also compatible with most of our retired Edlog dataloggers. For Edlog datalogger support, see an older manual at [www.campbellsci.com/old-manuals](http://www.campbellsci.com/old-manuals) or contact Campbell Scientific.

---

## 2. Precautions

- READ AND UNDERSTAND the *Safety* section at the front of this manual.
- The 034B is a precision instrument. Please handle it with care.
- If the 034B is to be installed at heights over 6 feet, be familiar with tower safety and follow safe tower climbing procedures.
- Danger—Use extreme care when working near overhead electrical wires. Check for overhead wires before mounting the 034B or before raising a tower.
- The set screw holes must be covered with labels to prevent corrosion and assure the warranty.
- The black outer jacket of the cable is Santoprene® rubber. This compound was chosen for its resistance to temperature extremes, moisture, and UV degradation. However, this jacket will support combustion in air. It is rated as slow burning when tested according to U.L. 94 H.B. and will pass FMVSS302. Local fire codes may preclude its use inside buildings.

## 3. Initial Inspection

Upon receipt of the 034B, inspect the packaging and contents for damage. File damage claims with the shipping company. Immediately check package contents against the shipping documentation (see Section 3.1, *Ships With List* (p. 2)). Contact Campbell Scientific about any discrepancies.

The model number and cable length are printed on a label at the connection end of the cable. Check this information against the shipping documents to ensure the expected product and cable length are received.

### 3.1 Ships With List

The 034B Wind Set ships with:

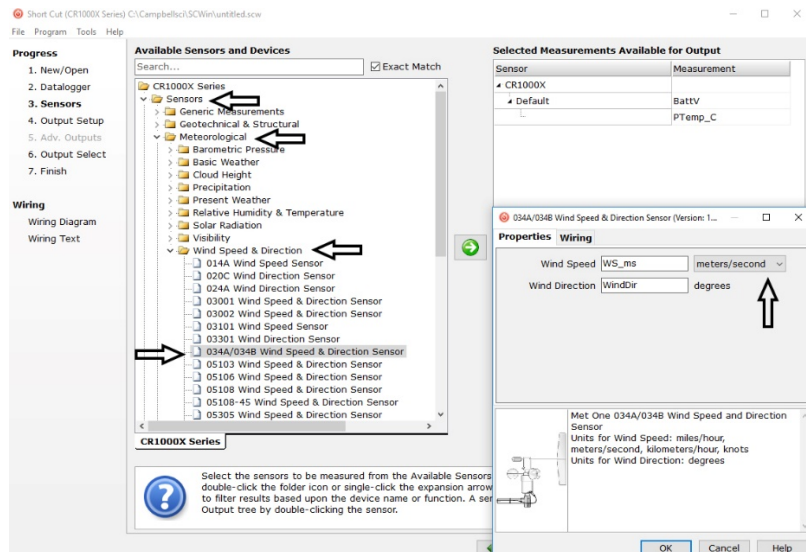
- (1) 1/16-inch Allen wrench
- (1) Bushing from Met One
- (1) Calibration Sheet
- (3) Direction hub stickers
- (1) *ResourceDVD*
- (1) Wind Vane
- (1) Sensor cable of user-specified length

## 4. QuickStart

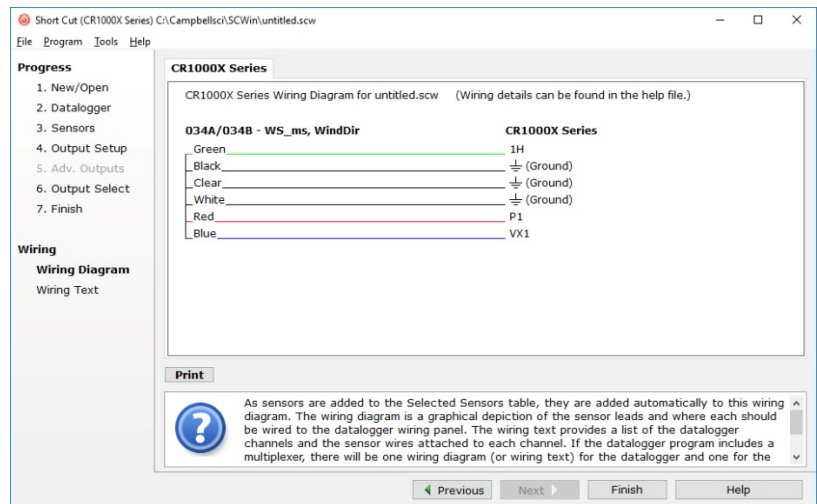
*Short Cut* is an easy way to program your datalogger to measure the 034B and assign datalogger wiring terminals. *Short Cut* is available as a download on [www.campbellsci.com](http://www.campbellsci.com) and the *ResourceDVD*. It is included in installations of *LoggerNet*, *PC200W*, *PC400*, or *RTDAQ*.

Use the following procedure to get started.

1. Open *Short Cut* and select to create a new program.
2. Double-click the datalogger model.
3. Under the **Available Sensors and Devices** list, select the **Sensors | Meteorological | Wind Speed & Direction** folder and double-click **034A/034B Wind Speed & Direction Sensor**. The wind speed defaults to meters/second. This can be changed by clicking the **Wind Speed** box and selecting one of the other options.



- After selecting the sensor, click **Wiring Diagram** to see how the sensor is to be wired to the datalogger. The wiring diagram can be printed now or after more sensors are added.



- Select any other sensors you have, then finish the remaining *Short Cut* steps to complete the program. The remaining steps are outlined in *Short Cut Help*, which is accessed by clicking on **Help | Contents | Programming Steps**.
- If *LoggerNet*, *PC400*, *RTDAQ*, or *PC200W* is running on your PC, and the PC to datalogger connection is active, you can click **Finish** in *Short Cut* and you will be prompted to send the program just created to the datalogger.
- If the sensor is connected to the datalogger, as shown in the wiring diagram in step 4, check the output of the sensor in the datalogger support software data display to make sure it is making reasonable measurements.

## 5. Overview

The 034B, *Wind Set* is used to measure horizontal wind speed and direction.

Wind speed is measured with a three cup anemometer. Rotation of the cup wheel opens and closes a reed switch at a rate proportional to wind speed.

Vane position is transmitted by a 10 k $\Omega$  potentiometer. With a precision excitation voltage applied, the output voltage is proportional to wind direction.

The Met One manual contains additional information on the operating principals, installation, and maintenance of the sensor. The Met One manual is available at their website ([www.metone.com](http://www.metone.com)).

Cable length for the 034B is specified when the sensor is ordered. TABLE 5-1 gives the recommended cable length for mounting the sensor at the top of the tripod/tower with a CM202 crossarm.

CM106B	CM110	CM115	CM120	UT10	UT20	UT30
11 ft	14 ft	19 ft	24 ft	14 ft	24 ft	37 ft

The 034B's cable can terminate in:

- Pigtails that connect directly to a Campbell Scientific datalogger (option –PT).
- Connector that attaches to a prewired enclosure (option –PW). Refer to [www.campbellsci.com/prewired-enclosures](http://www.campbellsci.com/prewired-enclosures) for more information.
- Connector that attaches to a CWS900, *Wireless Sensor Interface* (option –CWS). The CWS900 allows the 034B to be used in a wireless sensor network. Refer to [www.campbellsci.com/cws900](http://www.campbellsci.com/cws900) for more information.

## 6. Specifications

### Features:

- Designed for continuous, long term, unattended operation in adverse conditions
- Constructed of light-weight aluminum
- Compatible with Campbell Scientific CRBasic dataloggers: CR200(X) series, CR300 series, CR6, CR800 series, CR1000X, CR1000, CR3000, CR5000, and CR9000X

### 6.1 Wind Speed

<b>Operating Range:</b>	0 to 75 m s <sup>-1</sup> (0 to 167 mph)
<b>Threshold:</b>	0.4 m s <sup>-1</sup> (0.9 mph)
<b>Accuracy</b>	
< 10.14 m/s (22.7 mph):	0.1 m/s (0.25 mph)
> 10.14 m/s (22.7 mph):	±1.1% of true
<b>Output Signal:</b>	Contact closure (reed switch)
<b>Resolution:</b>	(1.789 mph) / (scan rate in seconds) or (0.7998 m s <sup>-1</sup> ) / (scan rate in seconds)
<b>Anemometer Height:</b>	24.4 cm (9.6 in)
<b>Anemometer Radius:</b>	10.7 cm (4.2 in)

### 6.2 Wind Direction

<b>Length:</b>	33.5 cm (13.2 in)
<b>Range</b>	
<b>Mechanical:</b>	360°
<b>Electrical:</b>	356° (4° open)
<b>Threshold:</b>	0.4 m s <sup>-1</sup> (0.9 mph)

<b>Accuracy:</b>	$\pm 4^\circ$
<b>Resolution:</b>	$< 0.5^\circ$
<b>Potentiometer Resistance:</b>	0 to 10 k $\Omega$ open at crossover

## 6.3 General Specifications

<b>Operating Temperature Range:</b>	-30 to 70 °C
<b>Weight:</b>	907 g (2.0 lb)

# 7. Installation

If you are programming your datalogger with *Short Cut*, skip Section 7.3, *Wiring* (p. 8), and Section 7.4, *Programming* (p. 9). *Short Cut* does this work for you. See Section 4, *QuickStart* (p. 2), for a *Short Cut* tutorial.

## 7.1 Siting

Locate wind sensors away from obstructions such as trees and buildings. As a general rule, there should be a horizontal distance of at least ten times the height of the obstruction between the wind set and the obstruction. If it is necessary to mount the sensors on the roof of a building, the height of the sensors, above the roof, should be at least 1.5 times the height of the building. See Section 9, *References* (p. 12), for a list of references that discuss siting wind speed and direction sensors.

## 7.2 Mounting Options

### 7.2.1 Mount to a Crossarm

Tools required:

- 1/2-inch open-end wrench (for CM220)
- 5/64-inch and 1/16-inch Allen wrenches
- compass and declination angle for the site (see Appendix C, *Wind Direction Sensor Orientation* (p. C-1))
- small screw driver provided with datalogger
- UV resistant cable ties
- small pair of diagonal-cutting pliers
- 6-inch to 10-inch torpedo level

The 034B is mounted to a Campbell Scientific crossarm using either the 17953 Nu-Rail® Crossover Fitting (FIGURE 7-1), or the CM220 Right-Angle Mounting Kit (FIGURE 7-2).

1. Fully insert vane arm into hub (see FIGURE 7-1).
2. Align vane with center axis of sensor (see FIGURE 7-1).
3. Using the Allen wrench, tighten set screws at the top of the hub (see FIGURE 7-1).

4. Cover the set screw hole with one of the small round stickers included with the 034B. One of these labels is already installed on the hub covering the set screw that attaches the hub to the sensor. Extra labels are included with the 034B to recover the holes if the sensor has to be disassembled for maintenance.

**CAUTION**

---

The set screw holes must be covered with the labels to prevent corrosion and assure the warranty.

---

5. Mount a CM200-series crossarm to the tripod or tower.
6. Orient the crossarm North-South, with the CM220 mount or 17953 Nu-Rail® on the North end. Appendix C, *Wind Direction Sensor Orientation (p. C-1)*, contains detailed information on determining True North using a compass and the magnetic declination for the site.
7. Remove the alignment screw at the base of the 034B (FIGURE 7-1).
8. Insert the 034B into the aluminum bushing provided with the sensor (see FIGURE 7-1).
9. Align the hole in the bushing with that in the 034B base and replace the screw (see FIGURE 7-1).
10. Insert the 034B/bushing into the Nu-Rail® fitting (FIGURE 7-1) or the CM220's U-bolt (FIGURE 7-2).
11. Align the sensor so that the counter weight points to true South and tighten the set screws on the Nu-Rail® or U-bolts on the CM220. Final sensor orientation is done after the datalogger has been programmed to measure wind direction as described in Appendix C, *Wind Direction Sensor Orientation (p. C-1)*.
12. Remove the shoulder screw to allow the vane to rotate (see FIGURE 7-1).
13. Attach the sensor cable to the six pin male connector on the 034B. Make sure the connector is properly keyed. Finger tighten the knurled ring.
14. Route the sensor cable along the underside of the crossarm to the tripod or tower, and to the instrument enclosure.
15. Secure the cable to the crossarm and tripod or tower using cable ties.

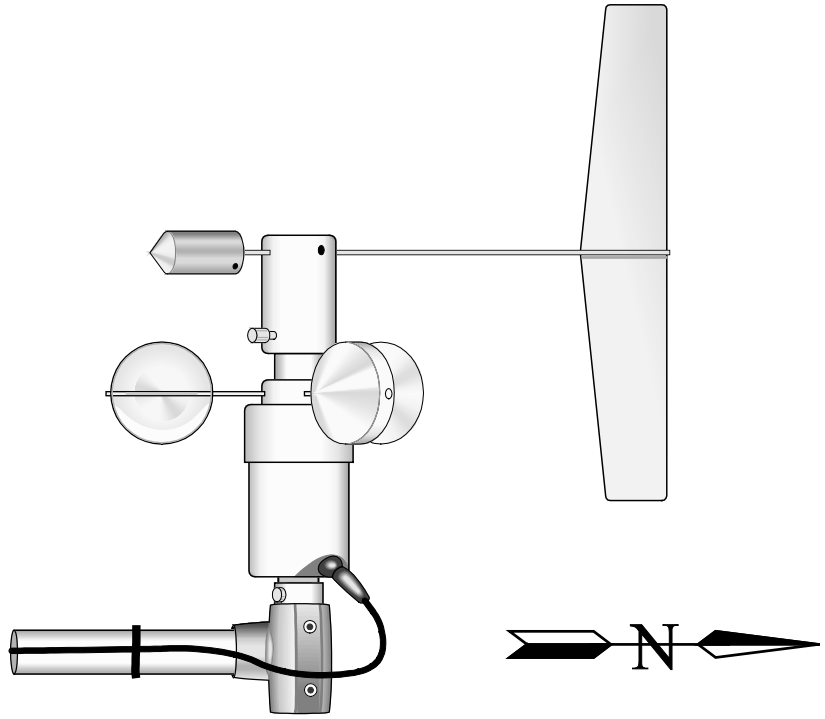


FIGURE 7-1. 034B mounted on a crossarm using a 17953 Nu-Rail® Crossover Fitting

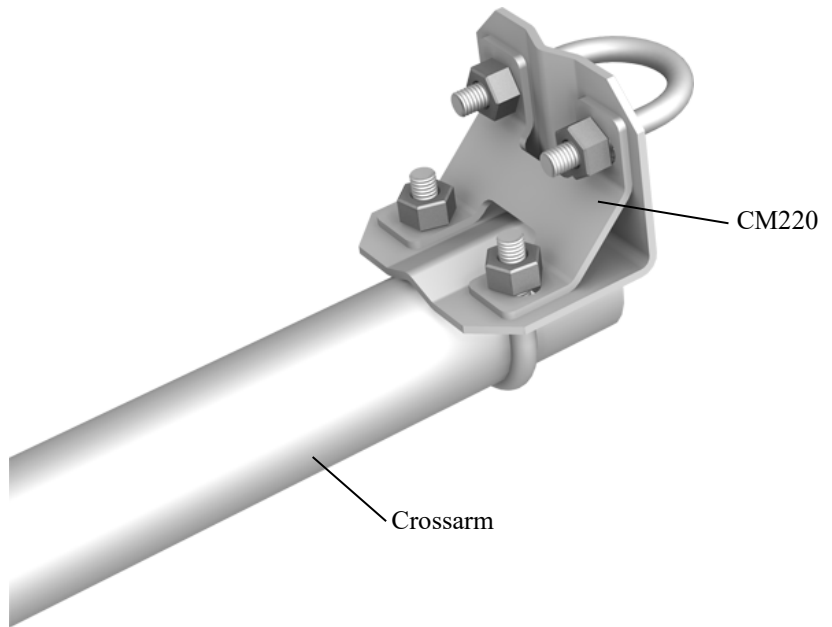


FIGURE 7-2. Crossarm with CM220 Right Angle Mounting Bracket

### 7.2.2 Mount to Top of Tripod

The 034B can be attached to the top of a CM106B, CM110, CM115, or CM120 tripod via the CM216 Sensor Mounting Kit (FIGURE 7-3). The CM216 extends 10 cm (4 in) above the mast of the tripod.



FIGURE 7-3. CM216 mount

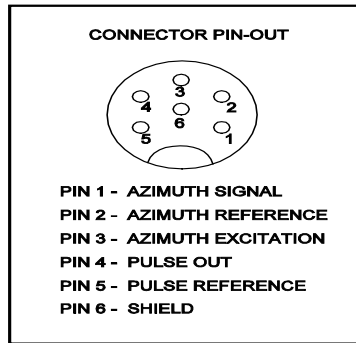
### 7.3 Wiring

Connections to Campbell Scientific CRBasic dataloggers are given in TABLE 7-1.

TABLE 7-1. Wire Color, Wire Function, and Datalogger Connection		
Wire Color	Wire Function	Datalogger Connection Terminal
Red	WS Signal	U configured for pulse input <sup>1</sup> , P (pulse input), or P_SW (pulse, switch closure input)
Black	WS Signal Reference	⏏
Green	WD Signal	U configured for single-ended analog input <sup>1</sup> , SE (single-ended, analog input)
Blue	WD Voltage Excitation	U configured for voltage excitation <sup>1</sup> , EX, or VX (voltage excitation)
White	WD Signal Reference	⏏ (analog ground)
Clear	Shield	⏏ (analog ground)
<sup>1</sup> U channels are automatically configured by the measurement instruction.		



The dataloggers can also measure wind speed on a control port. With this option the black wire is connected to the 5 V terminal.

**NOTE**

A 034B-L Wind Set purchased directly from Met One Instruments has a different configuration on the 6-pin connector. In addition, they do not have the 10 k $\Omega$  resistance on the excitation line. The wiring diagram and the multiplier and offset, for wind direction, are different than the examples in this document.

## 7.4 Programming

*Short Cut* is the best source for up-to-date datalogger programming code. Programming code is needed when:

- Creating a program for a new datalogger installation
- Adding sensors to an existing datalogger program

If your data acquisition requirements are simple and you are connecting the sensor to a pulse port, you can probably create and maintain a datalogger program exclusively with *Short Cut*. If your data acquisition needs are more complex, the files that *Short Cut* creates are a great source for programming code to start a new program or add to an existing custom program.

**NOTE**

*Short Cut* cannot edit programs after they are imported and edited in *CRBasic Editor*.

A *Short Cut* tutorial is available in Section 4, *QuickStart* (p. 2). If you wish to import *Short Cut* code into *CRBasic Editor* to create or add to a customized program, follow the procedure in Appendix A, *Importing Short Cut Code* (p. A-1). Programming basics for CRBasic dataloggers are provided in the following sections. A complete program example for a select CRBasic datalogger can be found in Appendix B, *Example Program* (p. B-1). Programming basics and programming examples for Edlog dataloggers are provided at [www.campbellsci.com/old-manuals](http://www.campbellsci.com/old-manuals).

### 7.4.1 Wind Speed

Wind speed is measured with the **Pulse Count** instruction, using the Switch Closure configuration and set to output frequency in Hertz (see Appendix B, *Example Program* (p. B-1), for examples).

The expression for wind speed (U) is:

$$U = MX + B$$

where

M = multiplier

X = number of pulses per second (Hertz)

B = offset

TABLE 7-2 lists the multipliers (M) and offsets (Off) to obtain meters/second or miles/hour when the **Pulse Count** instruction is configured to output the result in Hz.

TABLE 7-2. Wind Speed Multiplier*		
Model	Meters/Second	Miles/Hour
034B	M = 0.7989 Off = 0.28	M = 1.787 Off = 0.63
*When configured to output counts, the multiplier above is divided by the execution interval in seconds.		

### 7.4.2 Wind Direction

The CR200(X) dataloggers use the **ExDelSE()** instruction to measure wind direction. All other CRBasic dataloggers use the **BRHalf()** instruction (see Appendix B, *Example Program (p. B-1)*, for example).

Excitation voltages, range codes, and multipliers for our dataloggers are listed in TABLE 7-3. The multiplier value converts the sensor's millivolt output to degrees. Appendix D, *Wind Direction Measurement Theory (p. D-1)*, has additional information on the measurement instructions.

TABLE 7-3. Parameters for Wind Direction					
	CR800 CR1000	CR5000 CR3000	CR200(X)	CR6 CR1000X	CR300
Measurement Range	2500 mV, reverse excitation	5000 mV, reverse excitation	N/A	5000 mV, reverse excitation	2500 mV
Excitation Voltage	2500 mV	5000 mV	2500 mV	2500 mV	2500 mV
Multiplier	720	720	0.288	720	720
Offset	0	0	0	0	0

### 7.4.3 Wind Vector Processing Instruction

The **Wind Vector** output instruction is used to process and store mean wind speed, unit vector mean wind direction, and standard deviation of the wind direction (optional) from the measured wind speed and direction values.

### 7.4.4 Long Lead Lengths

When sensor lead length exceeds 100 feet, the settling time allowed for the measurement of the vane should be increased to 20 milliseconds.

For dataloggers programmed with CRBasic, increase the *Settling Time* parameter of the CRBasic instruction to 20 milliseconds (20,000 microseconds).

## 8. Maintenance and Troubleshooting

### 8.1 Maintenance

Monthly

- Do a visual/audio inspection of the anemometer at low wind speeds. Verify that the cup assembly and wind vane rotate freely. Inspect the sensor for physical damage. Verify cups and vane are tight.

6 Months

- Replace anemometer bearings if operating under harsh conditions.

Annually

- Replace anemometer bearings. Refer to the [Assistance](#) page at the beginning of this document for the procedure of returning the sensor to Campbell Scientific for bearing replacement.

2 Years

- Replace the wind vane potentiometer and bearings. Refer to the [Assistance](#) page at the beginning of this document for the procedure of returning the sensor to Campbell Scientific for wind vane and bearing replacement.

### 8.2 Troubleshooting

#### 8.2.1 Wind Direction

Symptom: NAN, -9999, or no change in direction

1. Check that the sensor is wired to the excitation and single-ended channel specified by the measurement instruction.
2. Verify that the excitation voltage and range code are correct for the datalogger type.
3. Disconnect the sensor from the datalogger and use an ohm meter to check the potentiometer. Resistance should vary from 11 to 21 kohms between the blue and green wires depending on vane position. Resistance should vary from 1 to 11 kohms between the white and green wires depending on vane position.

Symptom: Incorrect wind direction

1. Verify that the excitation voltage, range code, multiplier and offset parameters are correct for the datalogger type.
2. Check orientation of sensor as described in Section 7, *Installation* (p. 5).

### 8.2.2 Wind Speed

Symptom: No wind speed

1. Check that the sensor is wired to the pulse channel specified by the pulse count instruction.
2. Disconnect the sensor from the datalogger and use an ohm meter to check the reed switch. The resistance between the red and black wires should vary from infinite (switch open) to less than 1 ohm (switch closed) as the cupwheel is slowly turned.
3. Verify that the configuration code (switch closure, Hertz), and multiplier and offset parameters for the pulse count instruction are correct for the datalogger type.

## 9. References

The following references give detailed information on siting wind speed and wind direction sensors.

EPA, 1989: *Quality Assurance Handbook for Air Pollution Measurements System*, Office of Research and Development, Research Triangle Park, NC, 27711.

EPA, 1987: *On-Site Meteorological Program Guidance for Regulatory Modeling Applications*, EPA-450/4-87-013, Office of Air Quality Planning and Standards, Research Triangle Park, NC 27711.

The State Climatologist, 1985: *Publication of the American Association of State Climatologists: Height and Exposure Standards*, for Sensors on Automated Weather Stations, vol. 9, No. 4.

WMO, 1983: *Guide to Meteorological Instruments and Methods of Observation*, World Meteorological Organization, No. 8, 5th edition, Geneva, Switzerland.

# Appendix A. Importing Short Cut Code

---

This tutorial shows:

- How to import a *Short Cut* program into a program editor for additional refinement
- How to import a wiring diagram from *Short Cut* into the comments of a custom program

*Short Cut* creates files, which can be imported into *CRBasic Editor*. Assuming defaults were used when *Short Cut* was installed, these files reside in the C:\campbellsci\SCWin folder:

- .DEF (wiring and memory usage information)
- .CR2 (CR200(X)-series datalogger code)
- .CR300 (CR300-series datalogger code)
- .CR6 (CR6-series datalogger code)
- .CR8 (CR800-series datalogger code)
- .CR1 (CR1000 datalogger code)
- .CR1X (CR1000X datalogger code)
- .CR3 (CR3000 datalogger code)
- .CR5 (CR5000 datalogger code)
- .CR9 (CR9000(X) datalogger code)

Use the following procedure to import *Short Cut* code and wiring diagram into *CRBasic Editor*.

1. Create the *Short Cut* program following the procedure in Section 4, *QuickStart* (p. 2). Finish the program and exit *Short Cut*. Make note of the file name used when saving the *Short Cut* program.
2. Open *CRBasic Editor*.
3. Click **File** | **Open**. Assuming the default paths were used when *Short Cut* was installed, navigate to C:\CampbellSci\SCWin folder. The file of interest has the .CR2, .CR300, .CR6, .CR8, .CR1, .CR1X, .CR3, .CR5, or .CR9 extension. Select the file and click **Open**.
4. Immediately save the file in a folder different from C:\Campbellsci\SCWin, or save the file with a different file name.

---

## NOTE

Once the file is edited with *CRBasic Editor*, *Short Cut* can no longer be used to edit the datalogger program. Change the name of the program file or move it, or *Short Cut* may overwrite it next time it is used.

---

5. The program can now be edited, saved, and sent to the datalogger.
6. Import wiring information to the program by opening the associated .DEF file. Copy and paste the section beginning with heading “–Wiring for CRXXX–” into the *CRBasic* program, usually at the head of the file. After pasting, edit the information such that an apostrophe (') begins each line. This character instructs the datalogger compiler to ignore the line when compiling.



# Appendix B. Example Program

The following CR1000 program measures the 034B every 5 seconds, and stores mean wind speed, unit vector mean direction, and standard deviation of the direction every 60 minutes. Wiring for the example is given in TABLE B-1.

TABLE B-1. Wiring for Example Program		
Color	Description	CR1000
Red	Wind Speed Signal	P1
Black	Wind Speed Reference	⊥
Green	Wind Direction Signal	SE 1
Blue	Wind Direction Excitation	EX 1
White	Wind Direction Reference	⊥
Clear	Wind Direction Shield	⊥

**CRBasic Example B-1. CR1000 Program That Measures the 034B**

```
'CR1000
'Declare Variables and Units
Public Batt_Volt
Public WS_ms
Public WindDir
Units Batt_Volt=Volts
Units WS_ms=meters/second
Units WindDir=degrees

'Define Data Tables
DataTable(Table1,True,-1)
  DataInterval(0,60,Min,10)
  WindVector(1,WS_ms,WindDir,FP2,False,0,0,0)
  FieldNames("WS_ms_Avg,WindDir_Avg,WindDir_StDev")
EndTable

'Main Program
BeginProg
  Scan(5,Sec,1,0)
    'Default Datalogger Battery Voltage measurement Batt_Volt:
    Battery(Batt_Volt)
    '034A/034B Wind Speed & Direction Sensor measurements WS_ms and WindDir:
    PulseCount(WS_ms,1,1,2,1,0.7989,0.28)
    If WS_ms=0.28 Then WS_ms=0

    BrHalf(WindDir,1,mV2500,1,1,1,2500,True,0,_60Hz,720.0,0) 'Use 5000 mV
    If WindDir>=360 OR WindDir < 0 Then WindDir=0           'excitation for
    'Call Data Tables and Store Data                          'the CR3000 and
    CallTable(Table1)                                        'CR5000 dataloggers
  NextScan
EndProg
```





# Appendix C. Wind Direction Sensor Orientation

---

## C.1 Determining True North and Sensor Orientation

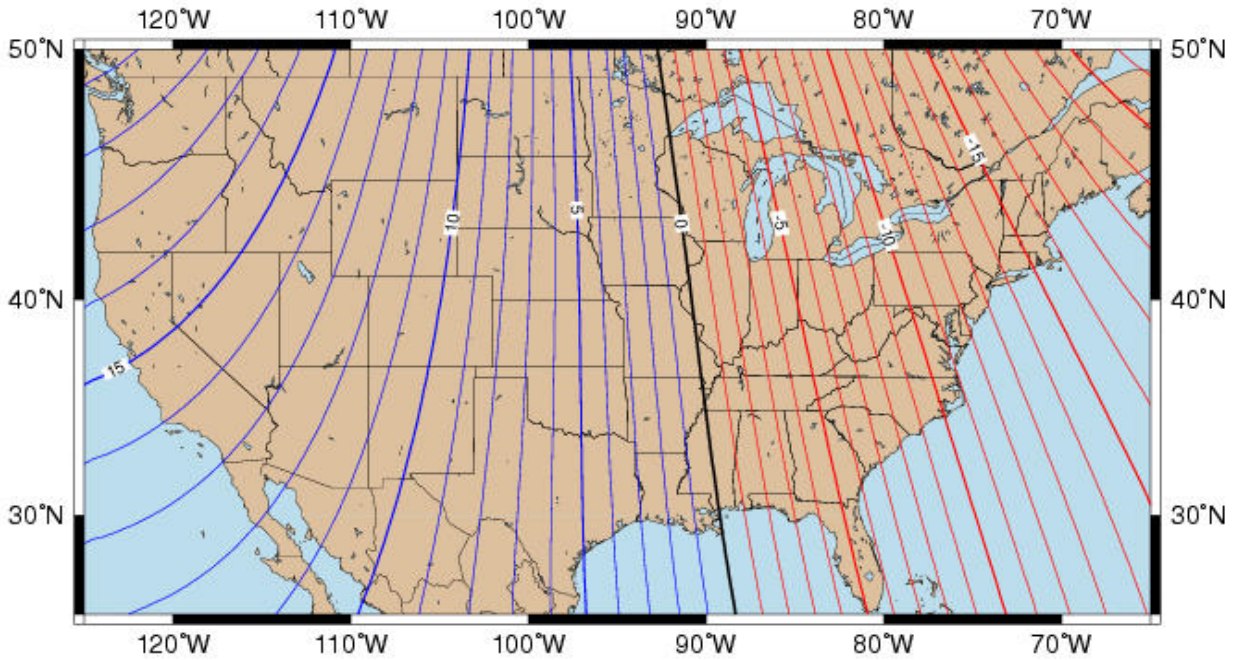
Orientation of the wind direction sensor is done after the datalogger has been programmed, and the location of True North has been determined. True North is usually found by reading a magnetic compass and applying the correction for magnetic declination; where magnetic declination is the number of degrees between True North and Magnetic North. The preferred method to obtain the magnetic declination for a specific site is to use a computer service offered by NOAA at [www.ngdc.noaa.gov/geomag](http://www.ngdc.noaa.gov/geomag). Magnetic declination can also be obtained from a map or local airport. A general map showing magnetic declination for the contiguous United States is shown in FIGURE C-1.

Declination angles east of True North are considered negative, and are subtracted from 360 degrees to get True North as shown FIGURE C-2 (0° and 360° are the same point on a compass). For example, the declination for Logan, Utah is 14° East. True North is  $360^\circ - 14^\circ$ , or 346° as read on a compass. Declination angles west of True North are considered positive, and are added to 0 degrees to get True North as shown in FIGURE C-3.

Orientation is most easily done with two people, one to aim and adjust the sensor, while the other observes the wind direction displayed by the datalogger.

1. Establish a reference point on the horizon for True North.
2. Sighting down the instrument center line, aim the nose cone, or counterweight at True North. Display the input location or variable for wind direction using a hand-held keyboard display, PC, or laptop.
3. Loosen the U-bolt on the CM220 or the set screws on the Nu-Rail® that secure the base of the sensor to the crossarm. While holding the vane position, slowly rotate the sensor base until the datalogger indicates 0 degrees. Tighten the set screws.

# Magnetic Declination for the U.S. 2004



Mercator Projection

Contours of Declination of the Earth's magnetic field. Contours are expressed in degrees. Contour Interval: 1 Degree (Positive declinations in blue, negative in red)

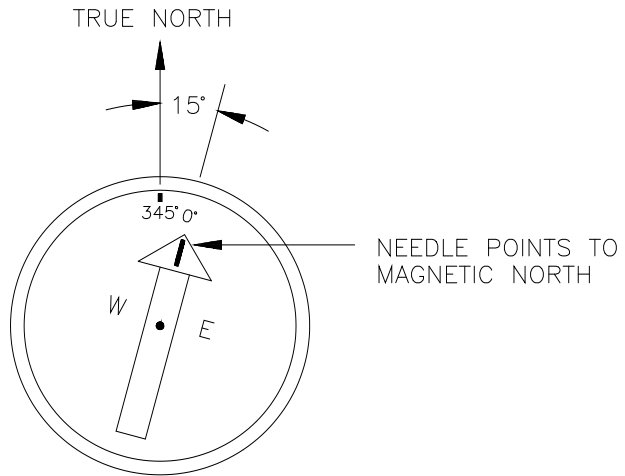
Produced by NOAA's National Geophysical Data Center (NGDC), Boulder, Colorado

<http://www.ngdc.noaa.gov>

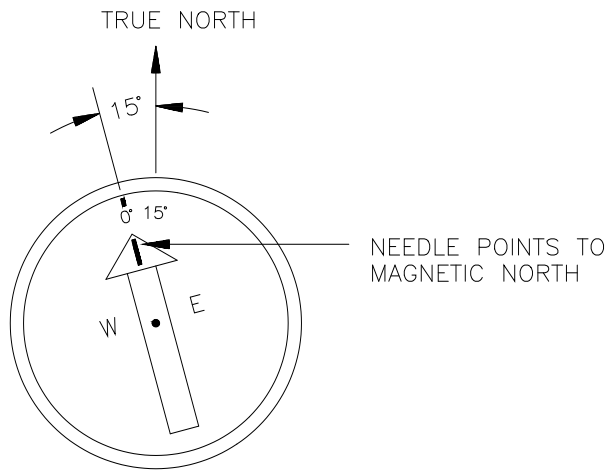
Based on the International Geomagnetic Reference Field (IGRF), Epoch 2000 updated to December 31, 2004

The IGRF is developed by the International Association of Geomagnetism and Aeronomy (IAGA), Division V

FIGURE C-1. Magnetic declination for the contiguous United States (2004)



**FIGURE C-2.** Declination angles east of True North are subtracted from 0 to get True North



**FIGURE C-3.** Declination angles west of True North are added to 0 to get True North



# Appendix D. Wind Direction Measurement Theory

---

It is not necessary to understand the concepts in this section for the general operation of the 034B, *Wind Set* with a Campbell Scientific datalogger.

A 034B purchased from Campbell Scientific has a 9.53 k $\Omega$  fixed resistor and a variable resistor on the excitation line. The variable resistor is adjusted by the manufacturer so its resistance plus the 9.53 k $\Omega$  resistor equals the resistance of the potentiometer ( $R_f = R_s + R_t$ ).

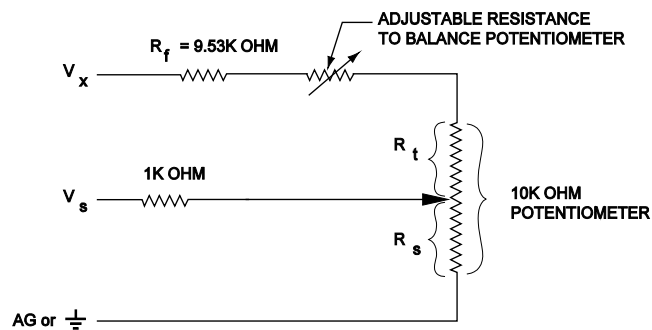


FIGURE D-1. 034B potentiometer in a half bridge circuit

The vanes are calibrated due south and then the potentiometer is adjusted until each half of the potentiometer has equal resistance.





## Campbell Scientific Companies

---

**Campbell Scientific, Inc.**

815 West 1800 North  
Logan, Utah 84321  
UNITED STATES

[www.campbellsci.com](http://www.campbellsci.com) • [info@campbellsci.com](mailto:info@campbellsci.com)

**Campbell Scientific Canada Corp.**

14532 – 131 Avenue NW  
Edmonton AB T5L 4X4  
CANADA

[www.campbellsci.ca](http://www.campbellsci.ca) • [dataloggers@campbellsci.ca](mailto:dataloggers@campbellsci.ca)

**Campbell Scientific Africa Pty. Ltd.**

PO Box 2450  
Somerset West 7129  
SOUTH AFRICA

[www.campbellsci.co.za](http://www.campbellsci.co.za) • [cleroux@csafrica.co.za](mailto:cleroux@csafrica.co.za)

**Campbell Scientific Centro Caribe S.A.**

300 N Cementerio, Edificio Breller  
Santo Domingo, Heredia 40305  
COSTA RICA

[www.campbellsci.cc](http://www.campbellsci.cc) • [info@campbellsci.cc](mailto:info@campbellsci.cc)

**Campbell Scientific Southeast Asia Co., Ltd.**

877/22 Nirvana@Work, Rama 9 Road  
Suan Luang Subdistrict, Suan Luang District  
Bangkok 10250  
THAILAND

[www.campbellsci.asia](http://www.campbellsci.asia) • [info@campbellsci.asia](mailto:info@campbellsci.asia)

**Campbell Scientific Ltd.**

Campbell Park  
80 Hathern Road  
Shepshed, Loughborough LE12 9GX  
UNITED KINGDOM

[www.campbellsci.co.uk](http://www.campbellsci.co.uk) • [sales@campbellsci.co.uk](mailto:sales@campbellsci.co.uk)

**Campbell Scientific Australia Pty. Ltd.**

PO Box 8108  
Garbutt Post Shop QLD 4814  
AUSTRALIA

[www.campbellsci.com.au](http://www.campbellsci.com.au) • [info@campbellsci.com.au](mailto:info@campbellsci.com.au)

**Campbell Scientific Ltd.**

3 Avenue de la Division Leclerc  
92160 ANTONY  
FRANCE

[www.campbellsci.fr](http://www.campbellsci.fr) • [info@campbellsci.fr](mailto:info@campbellsci.fr)

**Campbell Scientific (Beijing) Co., Ltd.**

8B16, Floor 8 Tower B, Hanwei Plaza  
7 Guanghua Road  
Chaoyang, Beijing 100004  
P.R. CHINA

[www.campbellsci.com](http://www.campbellsci.com) • [info@campbellsci.com.cn](mailto:info@campbellsci.com.cn)

**Campbell Scientific Ltd.**

Fahrenheitstraße 13  
28359 Bremen  
GERMANY

[www.campbellsci.de](http://www.campbellsci.de) • [info@campbellsci.de](mailto:info@campbellsci.de)

**Campbell Scientific do Brasil Ltda.**

Rua Apinagés, nbr. 2018 – Perdizes  
CEP: 01258-00 – São Paulo – SP  
BRASIL

[www.campbellsci.com.br](http://www.campbellsci.com.br) • [vendas@campbellsci.com.br](mailto:vendas@campbellsci.com.br)

**Campbell Scientific Spain, S. L.**

Avda. Pompeu Fabra 7-9, local 1  
08024 Barcelona  
SPAIN

[www.campbellsci.es](http://www.campbellsci.es) • [info@campbellsci.es](mailto:info@campbellsci.es)

Please visit [www.campbellsci.com](http://www.campbellsci.com) to obtain contact information for your local US or international representative.